

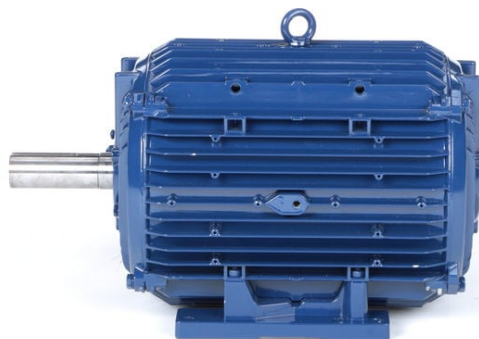
PRODUCT INFORMATION PACKET

marathon®
Motors

Model No: 215TPNAC10524

Catalog No: NM1493

NovaMAX™ EC Permanent Magnet Fan & Blower Motor, 7.50 HP, 3 Ph, 120 Hz, 460 V, 2400 RPM, 215T Frame,
TENV



Regal and Marathon are trademarks of Regal Rexnord Corporation or one of its affiliated companies.

©2023 Regal Rexnord Corporation, All Rights Reserved. MC017097E

RegalRexnord

Nameplate Specifications

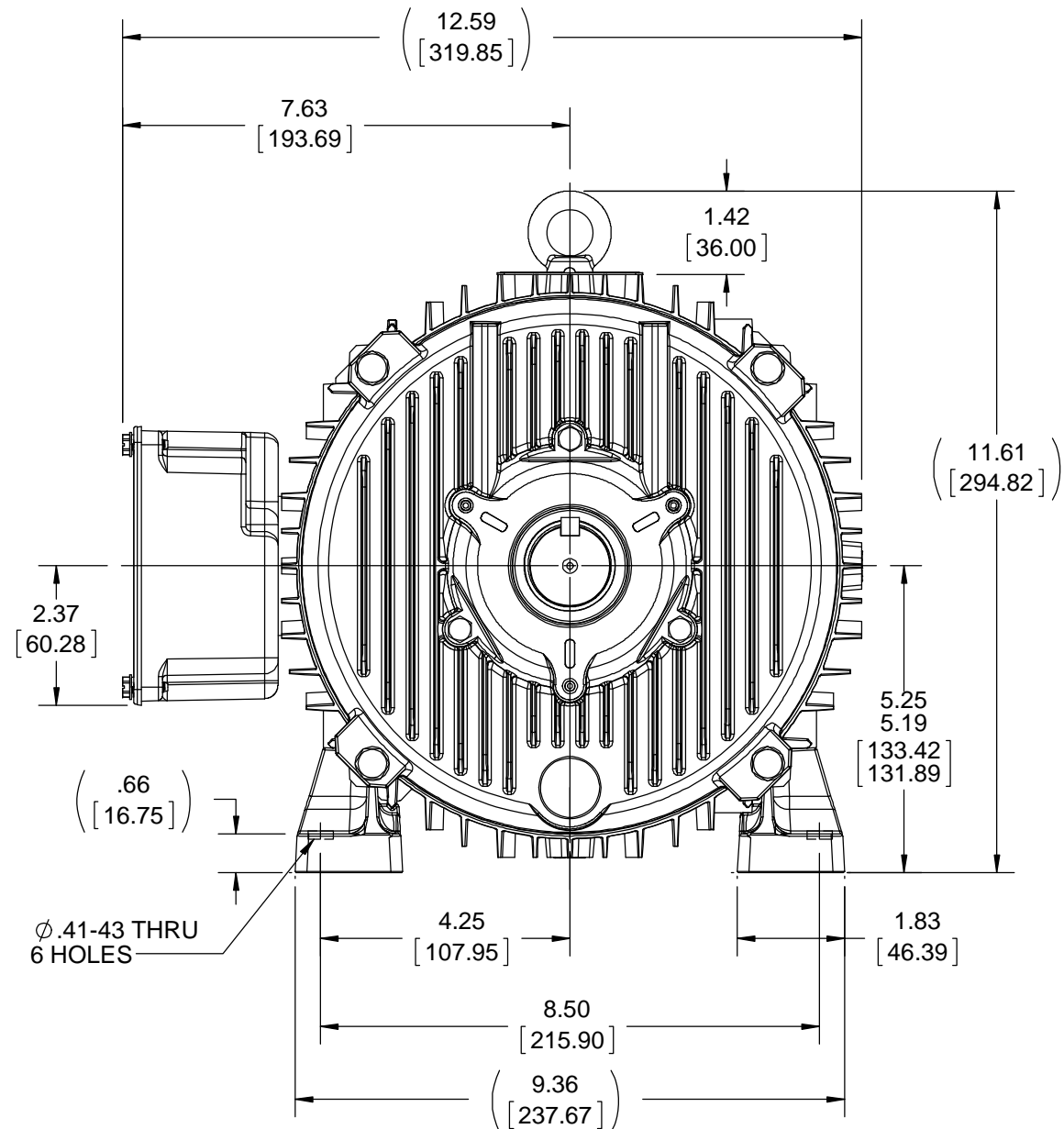
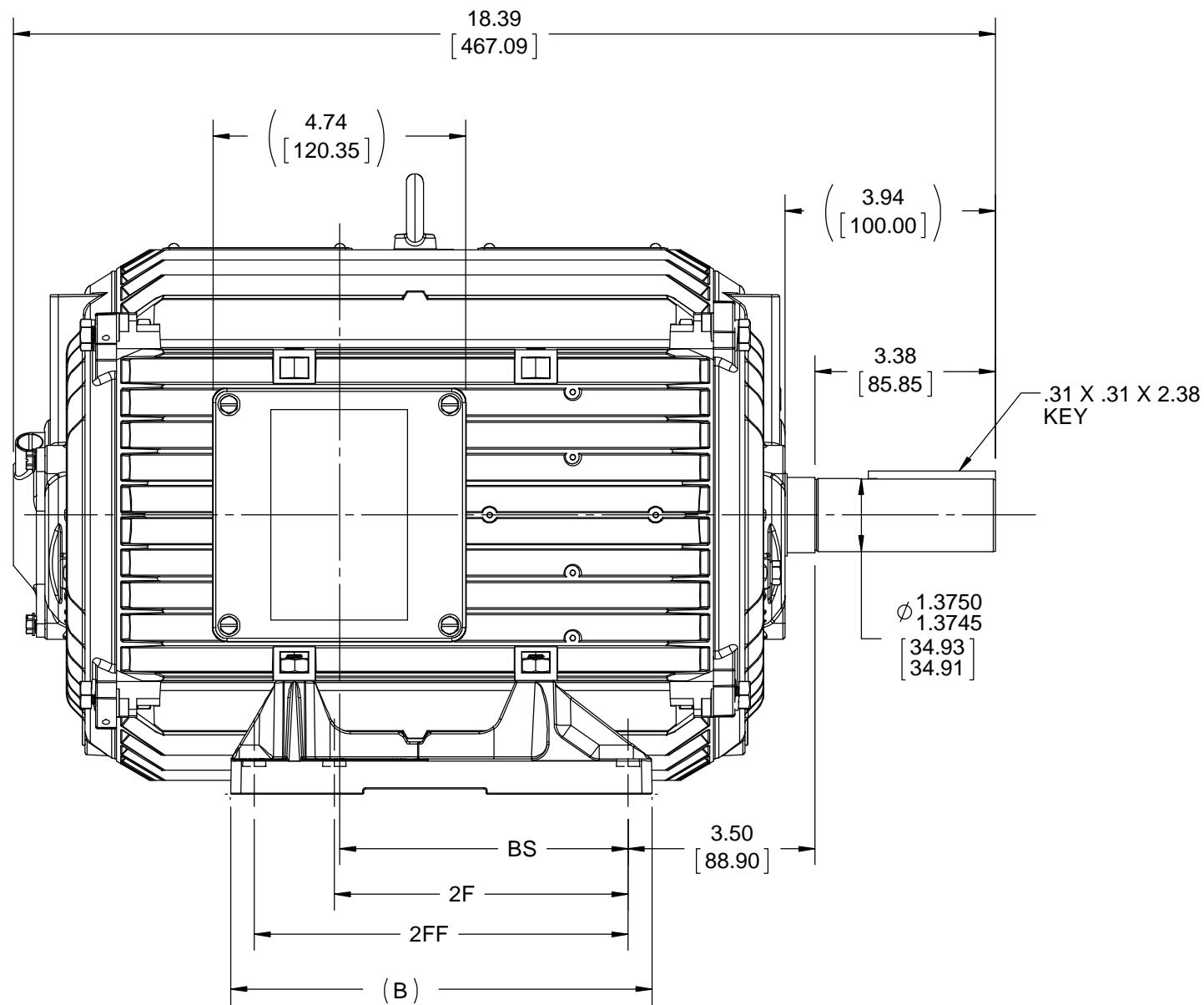
Phase	3	Output HP	7.50 Hp
Output KW	5.6 kW	Voltage	460 V
Speed	2400 rpm	Service Factor	1.15
Frame	215T	Enclosure	Totally Enclosed Non Ventilated
Thermal Protection	No Protection	Efficiency	95 %
Ambient Temperature	40 °C	Frequency	120 Hz
Current	8.9 A	Duty	Continuous
Insulation Class	F	Design Code	No Design Code
KVA Code	N/A	Drive End Bearing Size	6308
Opp Drive End Bearing Size	6308	UL	Recognized
CSA	N	CE	N
IP Code	54	Number of Speeds	1

Technical Specifications

Electrical Type	AC Permanent Magnet	Starting Method	Inverter Only
Poles	6	Rotation	Reversible
Mounting	Rigid Base	Motor Orientation	Horizontal
Drive End Bearing	Ball	Opp Drive End Bearing	Ball
Frame Material	Aluminum	Shaft Type	T
Overall Length	17.80 in	Frame Length	11.18 in
Shaft Diameter	1.375 in	Shaft Extension	3.38 in
Assembly/Box Mounting	F1/F2 CAPABLE		
Connection Drawing	NA	Outline Drawing	520-00501-1118

This is an uncontrolled document once printed or downloaded and is subject to change without notice. Date Created:06/22/2023

DASH	FRAME	C	B	2F	2FF	BS
1118	213/215	18.39 [467.09]	7.90 [200.58]	5.50 [139.70]	7.00 [177.80]	5.40 [137.24]



NOTES: (UNLESS OTHERWISE SPECIFIED)

- ALL DIMENSIONS & TOLERANCES APPLY POST-FINISH OR PLATING.
- CRITICAL TO FUNCTION DIMENSIONS ARE INSIDE OVAL BORDER. QUERY SOLID MODEL (IGES) FOR COMPLETE PART DEFINITION.

DRAWING REVISION E	REVISION BY GNK	DATE 08/09/2018
ECO ECO-0150544	APPROVED BY GNK	DATE 08/09/2018
ECO DESCRIPTION SHEET 1 DELETED		
<small>COPYRIGHT REGAL BELOIT AMERICA, INC. ALL RIGHTS RESERVED. PROPRIETARY AND CONFIDENTIAL INFORMATION - THIS DOCUMENT IS THE PROPERTY OF REGAL BELOIT AMERICA, INC. ("OWNER") AND CONTAINS OWNER'S PROPRIETARY INFORMATION. ANY PERSON, CORPORATION OR OTHER FIRM RECEIVING IT IS DEEMED, BY RECEIVING IT, TO AGREE THAT IT, AND/OR ANY PART OF IT, SHALL NOT BE DISCLOSED TO ANY PERSON, CORPORATION OR OTHER ENTITY, DUPLICATED, AND/OR USED, EXCEPT AS EXPRESSLY APPROVED IN WRITING IN ADVANCE BY OWNER. THIS DOCUMENT SHALL BE RETURNED TO OWNER UPON REQUEST. IT MAY BE SUBJECT TO CERTAIN RESTRICTIONS UNDER APPLICABLE EXPORT CONTROL LAWS AND REGULATIONS.</small>		

TOLERANCES UNLESS OTHERWISE SPECIFIED:			
DEC.	mm	INCH	ANGLE
.X	±2.5	[±0.10]	±0.5°
.XX	±0.25	[±0.010]	
.XXX	±0.130	[±0.0051]	
.XXXX	±0.0130	[±0.00051]	
REMOVE BURRS & BREAK SHARP EDGES: .08/.38 [.003/.015] X 45°			
CORNER FILLETS: R.50 [.020]			
MACHINED SURFACES: 125 3.2 INCH/mm			
INCH SHOWN IN [BRACKETS]			

DRAWN BY	REGAL ™ Regal Beloit America, Inc.		
DATE	DESCRIPTION		
APPROVED BY	OUTLINE		
DATE	NOVAMAX, 213/215T, TEAO/TENV, RIGID		
REFERENCE	MATERIAL	PROCESS/FINISH	
THIRD ANGLE PROJECTION	SIZE	DRAWING NUMBER	SHEET
	B	520-00501	1 OF 1