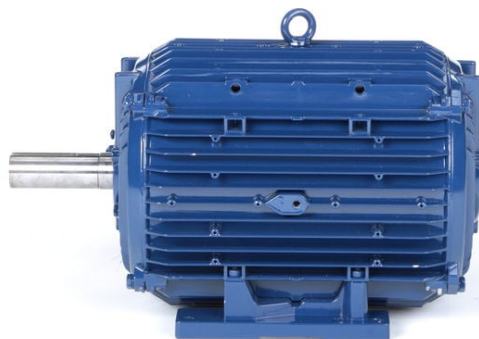


PRODUCT INFORMATION PACKET

Model No: 215TPFAC10465

Catalog No: NM2425

NovaMAX™ EC Permanent Magnet Fan & Blower Motor, 12 HP, 3 Ph, 90 Hz, 460 V, 1800 RPM, 215T Frame,
TEFC



Regal and Marathon are trademarks of Regal Rexnord Corporation or one of its affiliated companies.

©2023 Regal Rexnord Corporation, All Rights Reserved. MC017097E



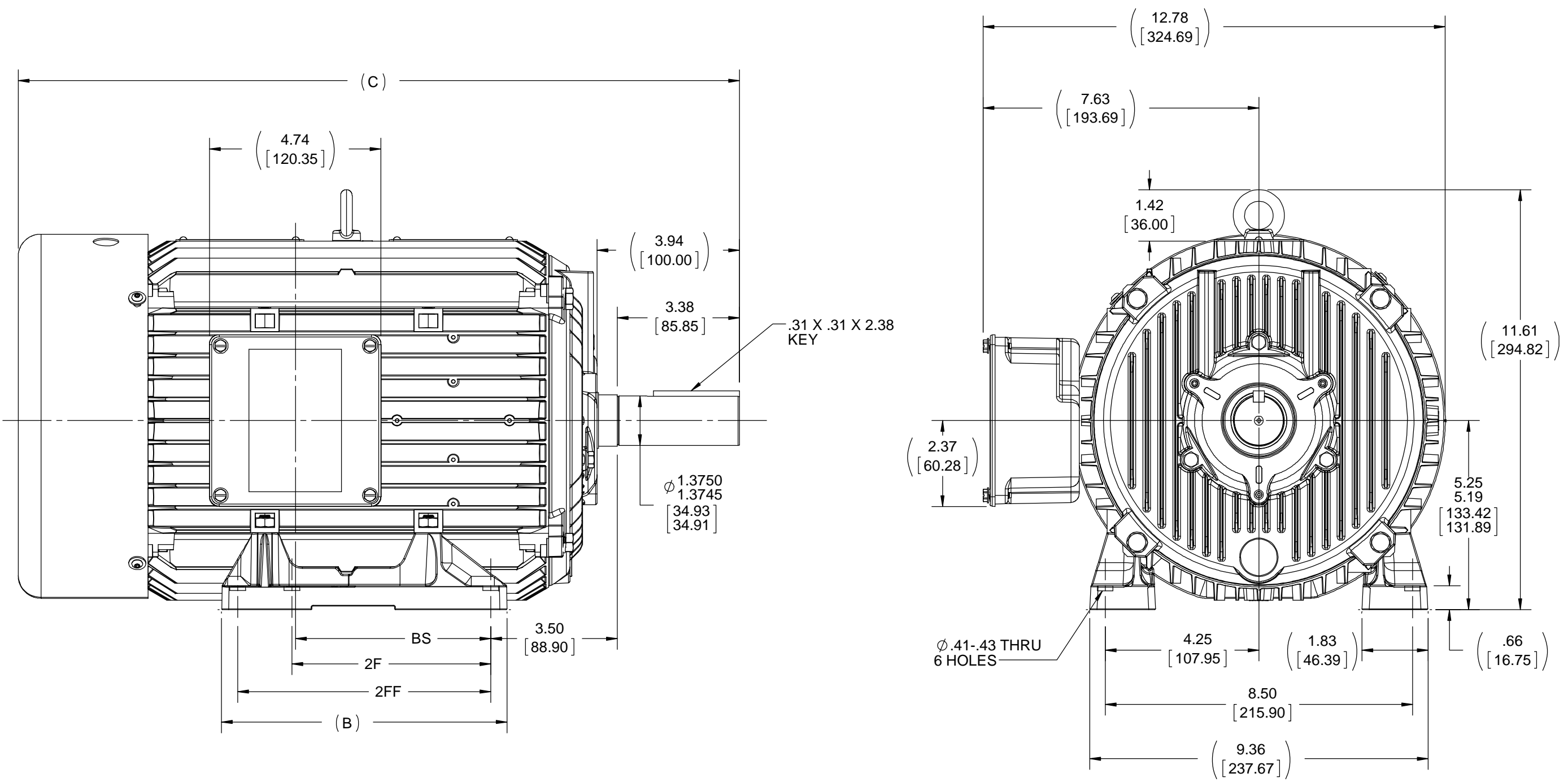
Nameplate Specifications

Phase	3	Output HP	12 Hp
Output KW	9.0 kW	Voltage	460 V
Speed	1800 rpm	Service Factor	1.15
Frame	215T	Enclosure	Totally Enclosed Fan Cooled
Thermal Protection	No Protection	Efficiency	95 %
Ambient Temperature	40 °C	Frequency	90 Hz
Current	15.0 A	Power Factor	0
Duty	Continuous	Insulation Class	F
Design Code	No Design Code	KVA Code	N/A
Drive End Bearing Size	6308	Opp Drive End Bearing Size	6308
UL	Recognized	CSA	N
CE	N	IP Code	54
Number of Speeds	1		

Technical Specifications

Electrical Type	AC Permanent Magnet	Starting Method	Inverter Only
Poles	6	Rotation	Reversible
Resistance Main	0 Ohms	Mounting	Rigid Base
Motor Orientation	Horizontal	Drive End Bearing	Ball
Opp Drive End Bearing	Ball	Frame Material	Aluminum
Shaft Type	T	Overall Length	19.94 in
Frame Length	11.18 in	Shaft Diameter	1.375 in
Shaft Extension	3.38 in	Assembly/Box Mounting	F1/F2 CAPABLE
Inverter Load	VARIABLE 20:1		
Connection Drawing	NA	Outline Drawing	520-00503-1118

DASH	FRAME	C	B	2F	2FF	BS
1118	213/215	19.94 [506.59]	7.90 [200.58]	5.50 [139.70]	7.00 [177.80]	5.40 [137.24]



- NOTES: (UNLESS OTHERWISE SPECIFIED)
- ALL DIMENSIONS & TOLERANCES APPLY POST-FINISH OR PLATING.
 - CRITICAL TO FUNCTION DIMENSIONS ARE INSIDE OVAL BORDER. QUERY SOLID MODEL (IGES) FOR COMPLETE PART DEFINITION.

DRAWING REVISION E	REVISION BY GNK	DATE 08/09/2018
ECO ECO-0150544	APPROVED BY GNK	DATE 08/09/2018
ECO DESCRIPTION SHEET 1 DELETED		
<small>COPYRIGHT REGAL BELOIT AMERICA, INC. ALL RIGHTS RESERVED. PROPRIETARY AND CONFIDENTIAL INFORMATION - THIS DOCUMENT IS THE PROPERTY OF REGAL BELOIT AMERICA, INC. ("OWNER") AND CONTAINS OWNER'S PROPRIETARY INFORMATION. ANY PERSON, CORPORATION OR OTHER FIRM RECEIVING IT IS DEEMED, BY RECEIVING IT, TO AGREE THAT IT, AND/OR ANY PART OF IT, SHALL NOT BE DISCLOSED TO ANY PERSON, CORPORATION OR OTHER ENTITY, DUPLICATED, AND/OR USED, EXCEPT AS EXPRESSLY APPROVED IN WRITING IN ADVANCE BY OWNER. THIS DOCUMENT SHALL BE RETURNED TO OWNER UPON REQUEST. IT MAY BE SUBJECT TO CERTAIN RESTRICTIONS UNDER APPLICABLE EXPORT CONTROL LAWS AND REGULATIONS.</small>		

TOLERANCES UNLESS OTHERWISE SPECIFIED:

DEC.	mm	INCH	ANGLE
.X	±2.5	[±0.10]	±0.5°
.XX	±0.25	[±0.010]	
.XXX	±0.130	[±0.0051]	
.XXXX	±0.0130	[±0.00051]	

REMOVE BURRS & BREAK SHARP EDGES: .08/.38 [.003/.015] X 45°
CORNER FILLETS: R.50 [.020]
MACHINED SURFACES: 125 $\sqrt{\text{mm}}$ 3.2 $\sqrt{\text{INCH}}$
INCH SHOWN IN [BRACKETS]

DRAWN BY	REGAL ™ Regal Beloit America, Inc.	
DATE	DESCRIPTION OUTLINE NOVAMAX, 213/215T, TEFC, RIGID	
APPROVED BY	MATERIAL	PROCESS/FINISH
DATE	SIZE B	DRAWING NUMBER 520-00503
REFERENCE	SHEET 1 OF 1	
THIRD ANGLE PROJECTION		