

PRODUCT INFORMATION PACKET

Model No: 215THTS8071

Catalog No: Y991

Blue Max® Inverter Duty Brake Motor, 10 HP, 3 Ph, 60 Hz, 230/460 V, 1800 RPM, 215TC Frame, TENV



Regal and Marathon are trademarks of Regal Rexnord Corporation or one of its affiliated companies.
©2022 Regal Rexnord Corporation, All Rights Reserved. MC017097E

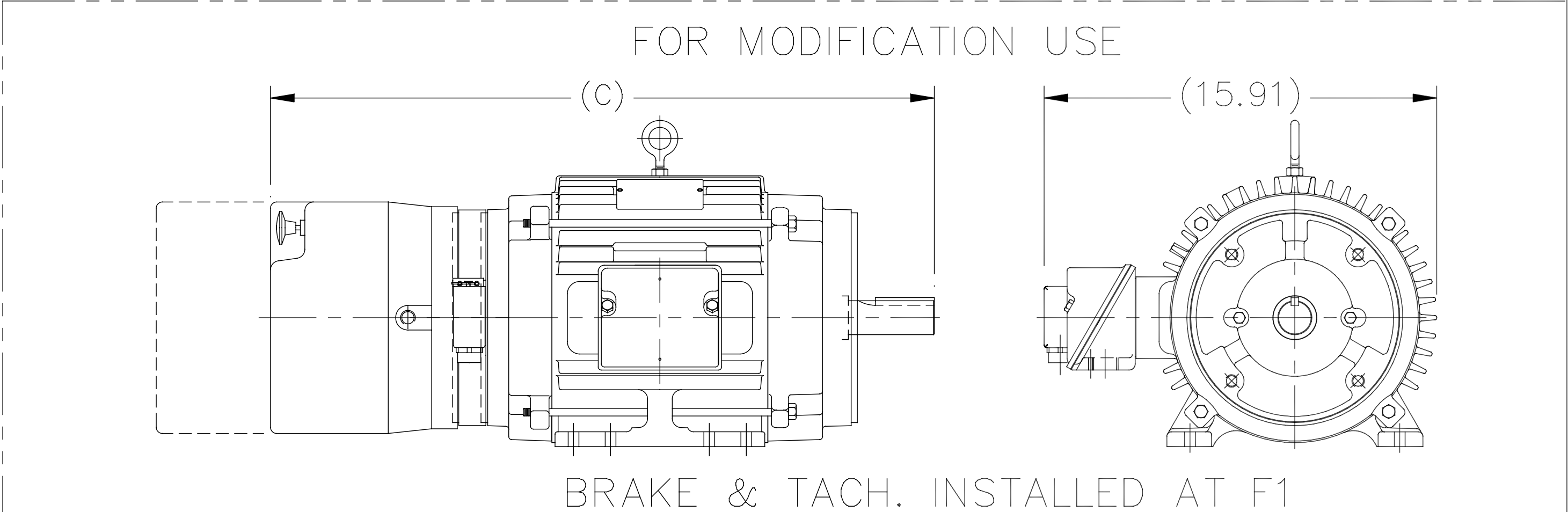
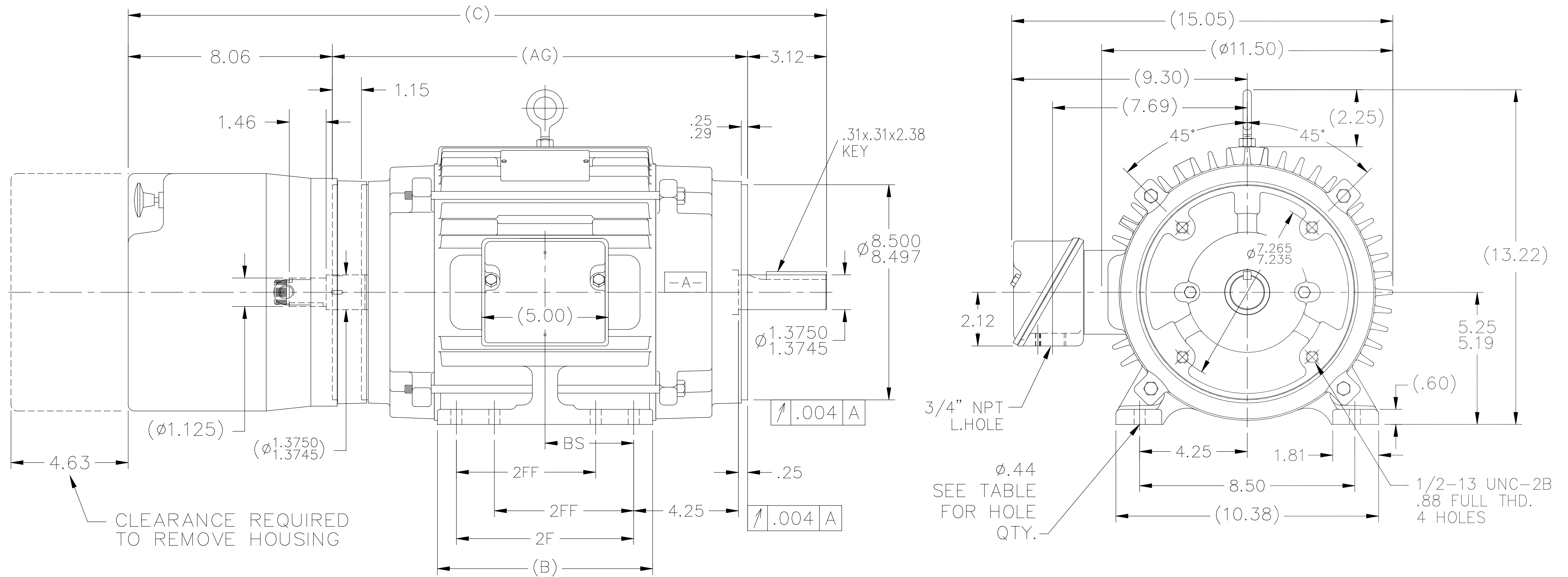


Nameplate Specifications

Output HP	10 Hp	Output KW	7.5 kW
Frequency	60 Hz	Voltage	230/460 V
Current	26.0/13.0 A	Speed	1775 rpm
Service Factor	1	Phase	3
Efficiency	91 %	Power Factor	78
Duty	Continuous	Insulation Class	F
Design Code	INV	KVA Code	L
Frame	215TC	Enclosure	Totally Enclosed Non Ventilated
Thermal Protection	Thermostat	Ambient Temperature	40 °C
Drive End Bearing Size	6309	Opp Drive End Bearing Size	6307
UL	Recognized	CSA	Y
CE	Y	IP Code	43
Number of Speeds	1		

Technical Specifications

Electrical Type	Squirrel Cage Inverter Duty	Starting Method	Inverter Only
Poles	4	Rotation	Reversible
Resistance Main	.56 Ohms	Mounting	Rigid Base
Motor Orientation	Horizontal	Drive End Bearing	Ball
Opp Drive End Bearing	Ball	Frame Material	Cast Iron
Shaft Type	T	Overall Length	28.83 in
Frame Length	10.00 in	Shaft Diameter	1.375 in
Shaft Extension	3.12 in	Assembly/Box Mounting	F1/F2 CAPABLE
Inverter Load	CONSTANT 2000:1		
Connection Drawing	A-EE7308T	Outline Drawing	B-SS88470-1000

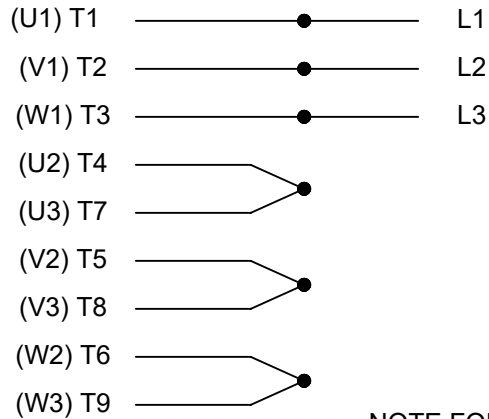


- NOTES:
1. CONDUIT BOX CAN BE ROTATED IN 90° STEPS.
 2. CONDUIT BOX CAN BE MOUNTED ON OPPOSITE SIDE BY REMOVING BRACKETS AND TURNING FRAME 180°
 3. NAMEPLATE TO BE READ FROM CONDUIT BOX SIDE OF MOTOR

9	NOTES UPDATED PER ECR# 0082550	SAJ 04/13/2015	GR	TOLERANCES UNLESS SPECIFIED		DRAWN DAH 06-18-2001
8	UPDATED DRAWING	TJW 05/04/2007		DEC. INCHES		CHK DRS 07-02-2001
7	REVISED DASH 1000-FOOTHOLE CN29100-4873	RJW 10-24-2005	ML	.X ±.1	APPD CAV 07-02-2001	
6	REVISED DASH TABLE & FOOT HOLE QTY. CN33822	RJW 05-12-2005	ML	.XX ±.03	TITLE OUTLINE - TENV - LAKESHORE TACH.	SCALE 1=4
5	ADDED NOTE NUMBER 4 CN32977	RJW 02-08-2005	ML	.XXX ±.005	210TC FR. - STEARNS 87,000 BRAKE	REF
4	ADD NOTE TO DETAIL & SEPARATE CN33633	RWR 10-07-2004	ML	.XXXX ±.0005	MAT'L.	FMF
NO.	REVISION	BY & DATE	CHK	ANG ±7'30"	FINISH	PREV
THIS DRAWING IN DESIGN AND DETAIL IS OUR PROPERTY AND MUST NOT BE USED EXCEPT IN CONNECTION WITH OUR WORK ALL RIGHTS OF DESIGN AND INVENTION ARE RESERVED THIS IS AN ELECTRONICALLY GENERATED DOCUMENT - DO NOT SCALE THIS PRINT			RFP		CAD FILE ss88470	SIZE DRAWING NO. PAGE 1 OF 1 REV.
			DIST LB			B SS88470 9

875	213/5TC	27.58	16.40	8.50	7.00	-	3.50	4
875	213/5TC	27.58	16.40	8.50	7.00	5.50	3.50	8
1000	213/5TC	28.83	17.65	9.75	8.25	7.00	4.75	8
DASH	FRAME	C	AG	B	2F	2FF	BS	FOOT HOLE QTY.

HIGH VOLTAGE



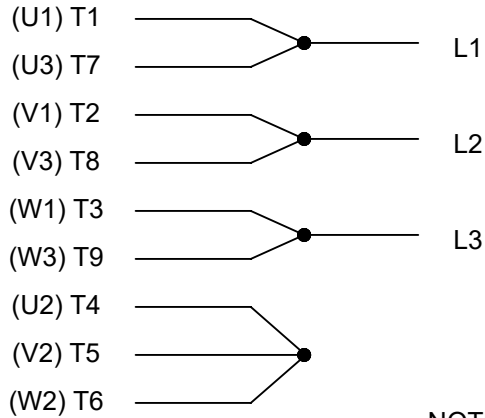
**THREE PHASE
DUAL VOLTAGE MOTOR**

THERMO-PROTECTORS
CONNECTED IN SERIES



NOTE FOR FACTORY USE ONLY:
TO SURGE TEST FOR COMMON CONNECT:
HIGH VOLT: CONNECT P1 TO T1
THEN P2 TO L1
LOW VOLT: CONNECT P1 TO T1 & T7,
THEN P2 TO L1

LOW VOLTAGE



VIEW OF TERMINAL END

NOTE: LEAD'S COLOR CAN BE YELLOW OR WHITE FOR MT2 PLANT

DRAWING REVISION T	REVISION BY ZR	DATE 01-14-2019		DRAWN BY SMC	Regal Beloit America, Inc.
ECO ECO-0159915	APPROVED BY DR	DATE 01-15-2019		DATE 05-13-1992	
ECO DESCRIPTION ADDED TERMINAL CONNECTION DIAGRAM				APPROVED BY TB	DESCRIPTION CONN DIAGRAM-INTERNAL 3 PHASE - DUAL VOLTAGE MOTOR
<small>COPYRIGHT REGAL BELOIT AMERICA, INC. ALL RIGHTS RESERVED. PROPRIETARY AND CONFIDENTIAL INFORMATION - THIS DOCUMENT IS THE PROPERTY OF REGAL BELOIT AMERICA, INC. ("OWNER") AND CONTAINS OWNER'S PROPRIETARY INFORMATION. ANY PERSON, CORPORATION OR OTHER FIRM RECEIVING IT IS DEEMED, BY RECEIVING IT, TO AGREE THAT IT, AND/OR ANY PART OF IT, SHALL NOT BE DISCLOSED TO ANY PERSON, CORPORATION OR OTHER ENTITY, DUPLICATED, AND/OR USED, EXCEPT AS EXPRESSLY APPROVED IN WRITING IN ADVANCE BY OWNER. THIS DOCUMENT SHALL BE RETURNED TO OWNER UPON REQUEST. IT MAY BE SUBJECT TO CERTAIN RESTRICTIONS UNDER APPLICABLE EXPORT CONTROL LAWS AND REGULATIONS.</small>			DATE 05-13-1992	MATERIAL	PROCESS/FINISH
			REFERENCE EE7308/EE7300	THIRD ANGLE PROJECTION	SIZE A

CERTIFICATION DATA SHEET

Model#: 215THTS8071 AN WINDING#: K2154321 NONE 1
 CONN. DIAGRAM: A-EE7308T ASSEMBLY: F1/F2 CAPABLE
 OUTLINE: B-SS88470-1000

TYPICAL MOTOR PERFORMANCE DATA

HP	KW	SYNC. RPM	F.L. RPM	FRAME	ENCLOSURE	KVA CODE	DESIGN		
10	7.5	1800	1775	215TC	TENV	L	INV		
PH	Hz	VOLTS	FL AMPS	START TYPE	DUTY	INSL	S.F	AMB°C	ELEVATION
3	60	230/460	26/13	INVERTER ONLY	CONTINUOUS	F3	1.0	40	3300
FULL LOAD EFF: 91	3/4 LOAD EFF: 91	1/2 LOAD EFF: 89.5	GTD. EFF		ELEC. TYPE		NO LOAD AMPS		
FULL LOAD PF: 78	3/4 LOAD PF: 72	1/2 LOAD PF: 60.5	89.5		SQ CAGE INV DUTY		13 / 6.5		
F.L. TORQUE	LOCKED ROTOR AMPS	L.R. TORQUE	B.D. TORQUE		F.L. RISE°C				
29.6 LB-FT	230 / 115	93.5 LB-FT 316	119 LB-FT 402		95				
SOUND PRESSURE @ 3 FT.	SOUND POWER	ROTOR WK^2	MAX. WK^2	SAFE STALL TIME	STARTS /HOUR	APPROX. MOTOR WGT			
62 dBA	72 dBA	1.4 LB-FT^2	- LB-FT^2	- SEC.	-	302 LBS.			

EQUIVALENT WYE CKT.PARAMETERS (OHMS PER PHASE)

R1	R2	X1	X2	XM
0.39476	0.36068	1.4768	2.42536	36.92
RM	ZREF	XR	TD	TD0
1485.32	28.4	4.4	0.015	0.29

*** SUPPLEMENTAL INFORMATION ***

DE BRACKET TYPE	ODE BRACKET TYPE	MOUNT TYPE	ORIENTATION	SEVERE DUTY	HAZARDOUS LOCATION	DRIP COVER	SCREENS	PAINT
C-FACE	BRAKE AND ENCODER	RIGID	HORIZONTAL	FALSE	NONE	FALSE	NONE	BLUE (ENAMEL)

BEARINGS		GREASE	SHAFT TYPE	SPECIAL DE	SPECIAL ODE	SHAFT MATERIAL	FRAME MATERIAL
DE	OPE	POLYREX EM	T	NONE	NONE	1045 HOT ROLLED (C-204)	CAST IRON
BALL	BALL						
6309	6307						

THERMO-PROTECTORS				THERMISTORS	CONTROL	SPACE /n HEATERS
THERMOSTATS	PROTECTORS	WDG RTDs	BRG RTDs	NONE	FALSE	NONE VOLTS
TSTATS (N/C)	NOT	NONE	NONE			

If Inverter equals NONE, contact factory for further information

INVERTER TORQUE: CONSTANT 2000:1
INV. HP SPEED RANGE: 2.0 X BASE SPEED
ENCODER: PROVISIONS ONLY
NONE NONE
NONE NONE PPR
BRAKE: REGAL SUPPLIED AND MOUNT
NONE

*
N
O
T
E
S
*

STEARNS	P/N 66378-53
87,000	NEMA 2
50 FT-LB	208-230/460-190/380 V
60/50 Hz	

DATE: 06/22/2017 07:10:41 AM

FORM 3531 REV.3 02/07/99

** Subject to change without notice.

Data Sheet

Date: 6/20/2017

Customer: _____

Attention: _____

Submitted by: FAREEDA DUDEKULA



215THTS8071

Submittal

Data @ 460 V

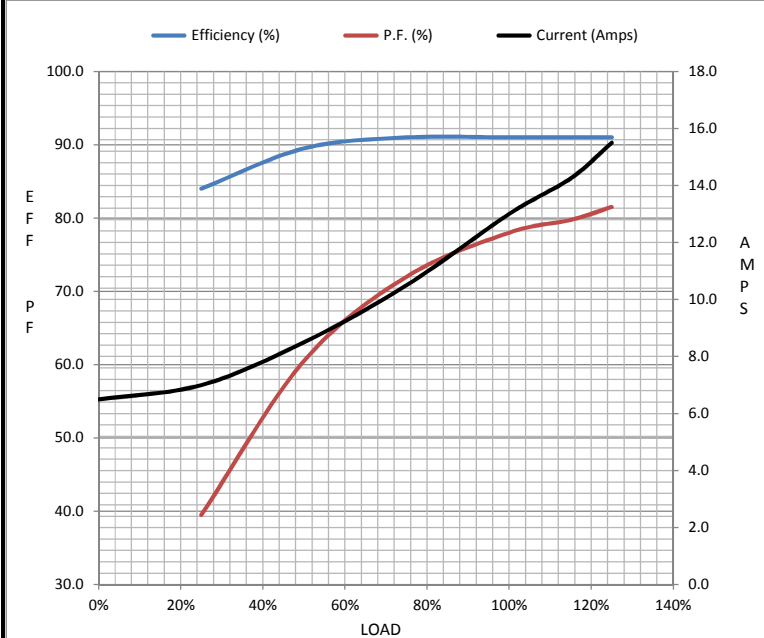
Motor Load Data

Load	0%	25%	50%	75%	100%	115%	125%	LR
Current (Amps)	6.5	7.0	8.5	10.5	13.0	14.3	15.5	115
Torque (ft-lb)	0.00	7.4	14.8	22.0	29.6	33.3	37.0	93.5
RPM	1800	1794	1786	1780	1775	1,771	1765	0
Efficiency (%)		84.0	89.5	91.0	91.0	91.0	91.0	
P.F. (%)	6.5	39.5	60.5	72.0	78.0	79.8	81.5	41.0

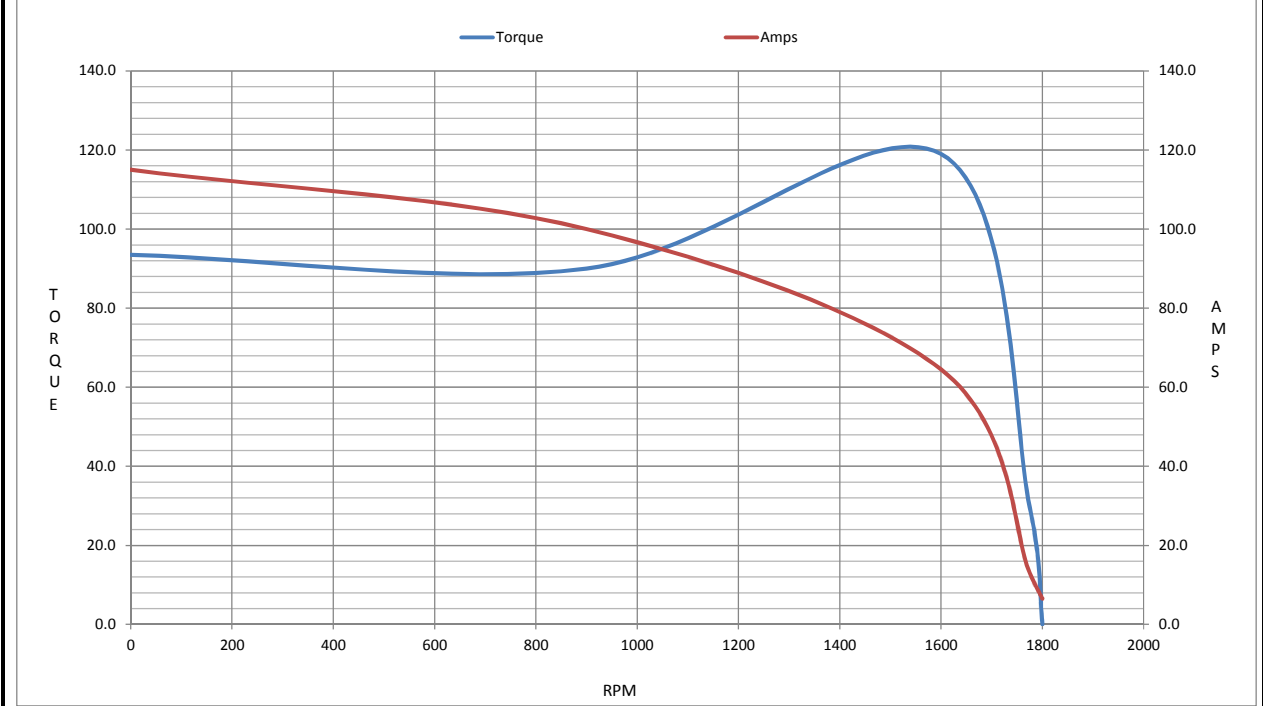
Motor Speed Data

	LR	Pull-Up	BD	Rated	Idle
Speed (RPM)	0	900	1600	1775	1800
Current (Amps)	115	100	64.5	13.0	6.5
Torque (ft-lb)	93.5	90.0	119	29.6	0.00

Information Block				
HP	10.0			
Sync. RPM	1800			
Frame	215			
Enclosure	TENV			
Construction	TTN			
Voltage	230/460 V			
Frequency	60 Hz			
Design	A			
LR Code letter	L			
Service Factor	1.15			
Temp Rise @ FL	85 °C			
Duty	CONT			
Ambient	40 °C			
Elevation	1,000 feet			
Rotor/Shaft wk ²	1.40 Lb-Ft ²			
Ref Wdg	K2154321 NONE			
Sound Pressure @ 1M	62 dBA			
VFD Rating	CONSTANT 2000:1			
Outline Dwg	B-SS88470-1000			
Conn. Diag	A-EE7308T			
Additional Specifications:				
0				
0				
EQUIV CKT (OHMS / PHASE)				
R1	R2	X1	X2	Xm
0.3950	0.3610	1.4770	2.4250	36.9200



Speed -Torque Curve



EC Declaration of Conformity

The undersigned representing
the manufacturer:

Regal Beloit America
100 East Randolph St.
Wausau, WI 54401

and the authorized representative
established within the Community:

Marathon Electric UK
6F Thistleton Road Ind. Estate
Market Overton
Oakham, Rutland LE15 7PP UK

are committed to providing customers with products that comply with applicable regulations and international protocols to which they are subject, including the requirements of the European Parliament Directive on the Harmonization of the laws relating to electrical equipment designed for use within certain voltage limits (2014/35/EU).

Regal Beloit America declares that the following product(s), to which this declaration relates, are in conformity with the relevant sections of the EC standards listed below.

This statement supersedes any statements previously issued pertaining to the product(s) listed below and is subject to change without notice.

Model No : 215THTS8071

(Model No. may contain prefix and/or suffix characters)

Catalog No : Y991

Rework No : N/A

Directives :

Low Voltage Directive 2014/35/EU

Harmonized Standards Used :

EN 60034-1: 2010 (IEC 60034-1: 2010)

EN 60034-5: 2001/A1:2007 (IEC 60034-5: 2000/A1:2006)

Authorized Representative:



Michael A. Logsdon
Vice President, Technology

Authorized Representative in the Community:



Julian Clark
Marketing Engineer

Created on 09/01/2022

CE 22