

# PRODUCT INFORMATION PACKET

Model No: 215THTL7726

Catalog No: Y547

Black Max® Inverter Duty Speed Ratio Motor, 10 HP, 3 Ph, 60 Hz, 230/460 V, 1800 RPM, 215TC Frame,  
TENV



Regal and Marathon are trademarks of Regal Rexnord Corporation or one of its affiliated companies.  
©2022 Regal Rexnord Corporation, All Rights Reserved. MC017097E

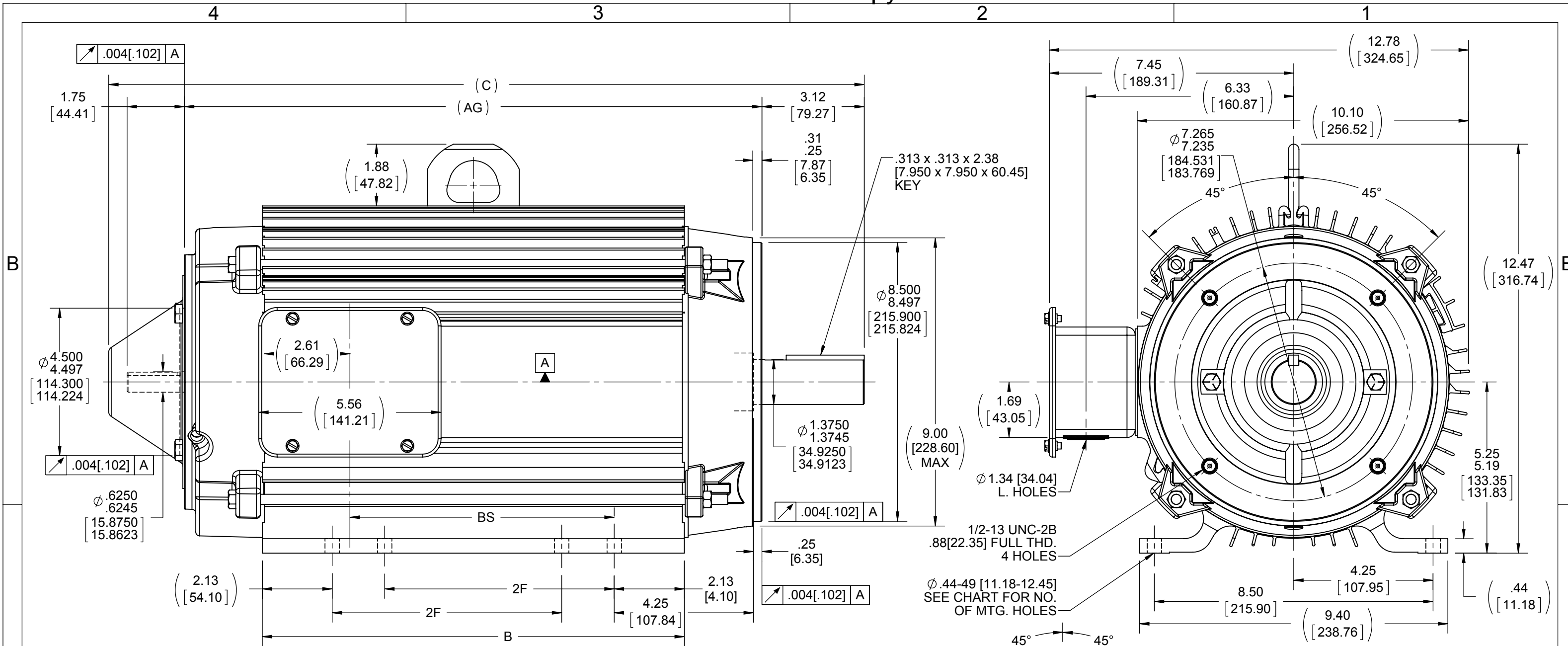
### Nameplate Specifications

Output HP	<b>10 Hp</b>	Output KW	<b>7.5 kW</b>
Frequency	<b>60 Hz</b>	Voltage	<b>230/460 V</b>
Current	<b>27.0/13.5 A</b>	Speed	<b>1774 rpm</b>
Service Factor	<b>1</b>	Phase	<b>3</b>
Efficiency	<b>90.2 %</b>	Power Factor	<b>76</b>
Duty	<b>Continuous</b>	Insulation Class	<b>F</b>
Design Code	<b>INV</b>	KVA Code	<b>M</b>
Frame	<b>215TC</b>	Enclosure	<b>Totally Enclosed Non Ventilated</b>
Thermal Protection	<b>No Protection</b>	Ambient Temperature	<b>40 °C</b>
Drive End Bearing Size	<b>6309</b>	Opp Drive End Bearing Size	<b>6206</b>
UL	<b>Recognized</b>	CSA	<b>Y</b>
CE	<b>Y</b>	IP Code	<b>43</b>
Number of Speeds	<b>1</b>		

### Technical Specifications

Electrical Type	<b>Squirrel Cage Inverter Duty</b>	Starting Method	<b>Inverter Only</b>
Poles	<b>4</b>	Rotation	<b>Reversible</b>
Resistance Main	<b>.59 Ohms</b>	Mounting	<b>Rigid Base</b>
Motor Orientation	<b>Horizontal</b>	Drive End Bearing	<b>Ball</b>
Opp Drive End Bearing	<b>Ball</b>	Frame Material	<b>Aluminum</b>
Shaft Type	<b>T</b>	Overall Length	<b>23.04 in</b>
Frame Length	<b>12.75 in</b>	Shaft Diameter	<b>1.375 in</b>
Shaft Extension	<b>3.12 in</b>	Assembly/Box Mounting	<b>F1/F2 Capable</b>
Inverter Load	<b>CONSTANT 1000:1</b>		
Connection Drawing	<b>A-EE7308T</b>	Outline Drawing	<b>B-SS330105-1275</b>





DASH	FR.	B	C	2F	AG	BS	F2 CAP.	# HOLES
875	213	8.87 [225.30]	19.04 [483.62]	5.50 [139.70]	13.61 [345.69]	4.05 [102.87]	YES	8
950	213	9.62 [244.35]	19.79 [502.67]	5.50 [139.70]	14.36 [364.74]	4.80 [121.92]	NO	4
1025	213	10.37 [263.40]	20.54 [521.72]	5.50 [139.70]	15.11 [383.79]	5.55 [140.97]	YES	8
1025	215	10.37 [263.40]	20.54 [521.72]	7.00 [177.80]	15.11 [383.79]	5.55 [140.97]	YES	8
1115	213/ 215	11.27 [286.26]	21.44 [544.58]	5.50 [139.70] 7.00 [177.80]	16.01 [406.65]	6.45 [163.83]	YES	8
1175	213	11.87 [301.50]	22.04 [559.82]	5.50 [139.70]	16.61 [421.89]	7.05 [179.07]	YES	8
1175	215	11.87 [301.50]	22.04 [559.82]	7.00 [177.80]	16.61 [421.89]	7.05 [179.07]	NO	4
1275	213	12.87 [326.90]	23.04 [585.22]	5.50 [139.70]	17.61 [447.29]	8.05 [204.47]	YES	8
1275	215	12.87 [326.90]	23.04 [585.22]	7.00 [177.80]	17.61 [447.29]	8.05 [204.47]	YES	8

NOTES:  
 1. CONDUIT BOX CAN BE ROTATED IN 180° STEPS.  
 2. NAMEPLATE TO BE READ FROM CONDUIT BOX SIDE OF MOTOR.  
 3. SEE CHART FOR F2 CAPABILITY. IF YES, BOX CAN BE MOUNTED ON OPPOSITE SIDE BY REMOVING BRACKETS AND TURNING FRAME 180°.

DRAWING REVISION A	REVISION BY JWO	DATE 09-29-2014	TOLERANCES UNLESS OTHERWISE SPECIFIED: DEC. INCH mm ANGLE .X ±0.1 [±2.5] ±7° 30" .XX ±0.03 [±0.76] .XXX ±0.005 [±0.127] .XXXX ±0.0005 [±0.0127]	DRAWN BY MKLEIST	Regal Beloit America, Inc.
ECO ECO-0060878	APPROVED BY TB	DATE 09-30-2014	REMOVE BURRS & BREAK SHARP EDGES: .003/.015 [0.076/.381] CORNER FILLETS: .02 [0.51] MACHINED SURFACES: 200 INCH mm 5.1 mm SHOWN IN [BRACKETS]	DATE 02-22-2005	
ECO DESCRIPTION MU118296, NMR-0067007 COPYRIGHT REGAL BELOIT AMERICA, INC. ALL RIGHTS RESERVED. PROPRIETARY AND CONFIDENTIAL INFORMATION - THIS DOCUMENT IS THE PROPERTY OF REGAL BELOIT AMERICA, INC. ("OWNER") AND CONTAINS OWNER'S PROPRIETARY INFORMATION. ANY PERSON, CORPORATION OR OTHER FIRM RECEIVING IT IS DEEMED, BY RECEIVING IT, TO AGREE THAT IT, AND/OR ANY PART OF IT, SHALL NOT BE DISCLOSED TO ANY PERSON, CORPORATION OR OTHER ENTITY, DUPLICATED, AND/OR USED, EXCEPT AS EXPRESSLY APPROVED IN WRITING IN ADVANCE BY OWNER. THIS DOCUMENT SHALL BE RETURNED TO OWNER UPON REQUEST. IT MAY BE SUBJECT TO CERTAIN RESTRICTIONS UNDER APPLICABLE EXPORT CONTROL LAWS AND REGULATIONS.				APPROVED BY CDG	DESCRIPTION <b>OUTLINE</b> 210 FR. - ALUMINUM FRAME - TENV - DBL. C' FACE
				DATE 09-29-2005	MATERIAL
				REFERENCE	PROCESS/FINISH
				THIRD ANGLE PROJECTION	SIZE B
					DRAWING NUMBER SS330105
					SHEET 1 OF 1

**HIGH VOLTAGE**



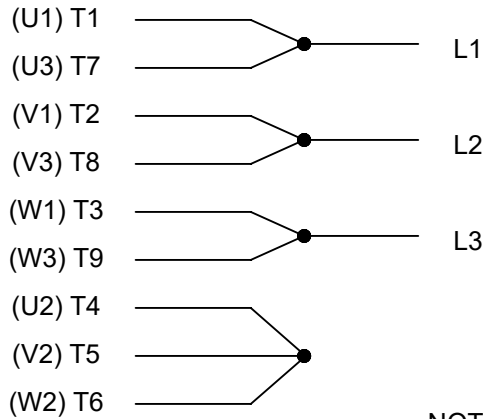
**THREE PHASE  
DUAL VOLTAGE MOTOR**

THERMO-PROTECTORS  
CONNECTED IN SERIES



NOTE FOR FACTORY USE ONLY:  
TO SURGE TEST FOR COMMON CONNECT:  
HIGH VOLT: CONNECT P1 TO T1  
THEN P2 TO L1  
LOW VOLT: CONNECT P1 TO T1 & T7,  
THEN P2 TO L1

**LOW VOLTAGE**



**VIEW OF TERMINAL END**

NOTE: LEAD'S COLOR CAN BE YELLOW OR WHITE FOR MT2 PLANT

DRAWING REVISION T	REVISION BY ZR	DATE 01-14-2019		DRAWN BY SMC	Regal Beloit America, Inc.	
ECO ECO-0159915	APPROVED BY DR	DATE 01-15-2019		DATE 05-13-1992		
ECO DESCRIPTION ADDED TERMINAL CONNECTION DIAGRAM				APPROVED BY TB	DESCRIPTION <b>CONN DIAGRAM-INTERNAL</b> 3 PHASE - DUAL VOLTAGE MOTOR	
<small>COPYRIGHT REGAL BELOIT AMERICA, INC. ALL RIGHTS RESERVED. PROPRIETARY AND CONFIDENTIAL INFORMATION - THIS DOCUMENT IS THE PROPERTY OF REGAL BELOIT AMERICA, INC. ("OWNER") AND CONTAINS OWNER'S PROPRIETARY INFORMATION. ANY PERSON, CORPORATION OR OTHER FIRM RECEIVING IT IS DEEMED, BY RECEIVING IT, TO AGREE THAT IT, AND/OR ANY PART OF IT, SHALL NOT BE DISCLOSED TO ANY PERSON, CORPORATION OR OTHER ENTITY, DUPLICATED, AND/OR USED, EXCEPT AS EXPRESSLY APPROVED IN WRITING IN ADVANCE BY OWNER. THIS DOCUMENT SHALL BE RETURNED TO OWNER UPON REQUEST. IT MAY BE SUBJECT TO CERTAIN RESTRICTIONS UNDER APPLICABLE EXPORT CONTROL LAWS AND REGULATIONS.</small>				DATE 05-13-1992	MATERIAL	PROCESS/FINISH
			REFERENCE EE7308/EE7300	SIZE A	DRAWING NUMBER EE7308T	SHEET 1 OF 1
			THIRD ANGLE PROJECTION			

CERTIFICATION DATA SHEET

Model#: 215HTL7726 FV WINDING#: K2154304 NONE 3  
 CONN. DIAGRAM: A-EE7308T ASSEMBLY: F1/F2 CAPABLE  
 OUTLINE: B-SS330105-1275

TYPICAL MOTOR PERFORMANCE DATA

HP	KW	SYNC. RPM	F.L. RPM	FRAME	ENCLOSURE	KVA CODE	DESIGN		
10	7.50	1800	1774	215TC	TENV	M	INV		
PH	Hz	VOLTS	FL AMPS	START TYPE	DUTY	INSL	S.F	AMB°C	ELEVATION
3	60	230/460	27/13.5	INVERTER ONLY	CONTINUOUS	F3	1.0	40	3300
FULL LOAD EFF: 90.2	3/4 LOAD EFF: 90.2	1/2 LOAD EFF: 87.5	GTD. EFF		ELEC. TYPE		NO LOAD AMPS		
FULL LOAD PF: 76	3/4 LOAD PF: 69	1/2 LOAD PF: 56	88.5		SQ CAGE INV DUTY		14.8 / 7.4		
F.L. TORQUE	LOCKED ROTOR AMPS		L.R. TORQUE	B.D. TORQUE		F.L. RISE°C			
29.6 LB-FT	250 / 125		110 LB-FT 372	125 LB-FT 422		90			
SOUND PRESSURE @ 3 FT.	SOUND POWER	ROTOR WK^2	MAX. WK^2	SAFE STALL TIME	STARTS /HOUR	APPROX. MOTOR WGT			
62 dBA	72 dBA	1.3 LB-FT^2	0 LB-FT^2	0 SEC.	0	183 LBS.			

EQUIVALENT WYE CKT.PARAMETERS (OHMS PER PHASE)

R1	R2	X1	X2	XM
0.284	0.284	1.42	2.272	34.932
RM	ZREF	XR	TD	TD0
1417.16	28.4	3.8	0.01	0.29

\*\*\* SUPPLEMENTAL INFORMATION \*\*\*

DE BRACKET TYPE	ODE BRACKET TYPE	MOUNT TYPE	ORIENTATION	SEVERE DUTY	HAZARDOUS LOCATION	DRIP COVER	SCREENS	PAINT
C-FACE	BRAKE OR ENCODER	RIGID	HORIZONTAL	FALSE	NONE	FALSE	NONE	BLACK (ENAMEL)

BEARINGS		GREASE	SHAFT TYPE	SPECIAL DE	SPECIAL ODE	SHAFT MATERIAL	FRAME MATERIAL
DE	OPE	POLYREX EM	T	NONE	NONE	1045 HOT ROLLED (C-204)	ALUMINUM
BALL	BALL						
6309	6206						

THERMO-PROTECTORS				THERMISTORS	CONTROL	SPACE /n HEATERS
THERMOSTATS	PROTECTORS	WDG RTDs	BRG RTDs	NONE	FALSE	NONE VOLTS
TSTATS (N/C)	NOT	NONE	NONE			

If Inverter equals NONE, contact factory for further information

INVERTER TORQUE: CONSTANT 1000:1
INV. HP SPEED RANGE: 2.0 X BASE SPEED
ENCODER: PROVISIONS ONLY
NONE NONE
NONE NONE PPR
BRAKE: PROVISIONS ONLY NONE
NONE P/N NONE

\*  
N  
O  
T  
E  
S  
\*

NONE	NONE		
NONE FT-LB	NONE V	NONE Hz	

DATE: 06/21/2017 10:38:09 AM  
FORM 3531 REV.3 02/07/99  
\*\* Subject to change without notice.

**Data Sheet**

**Date:** 16-06-2017  
**Customer:** \_\_\_\_\_  
**Attention:** \_\_\_\_\_  
**Submitted by:** FAREEDA DUDEKULA



215THTL726

**Submittal**

Data @ **460 V**

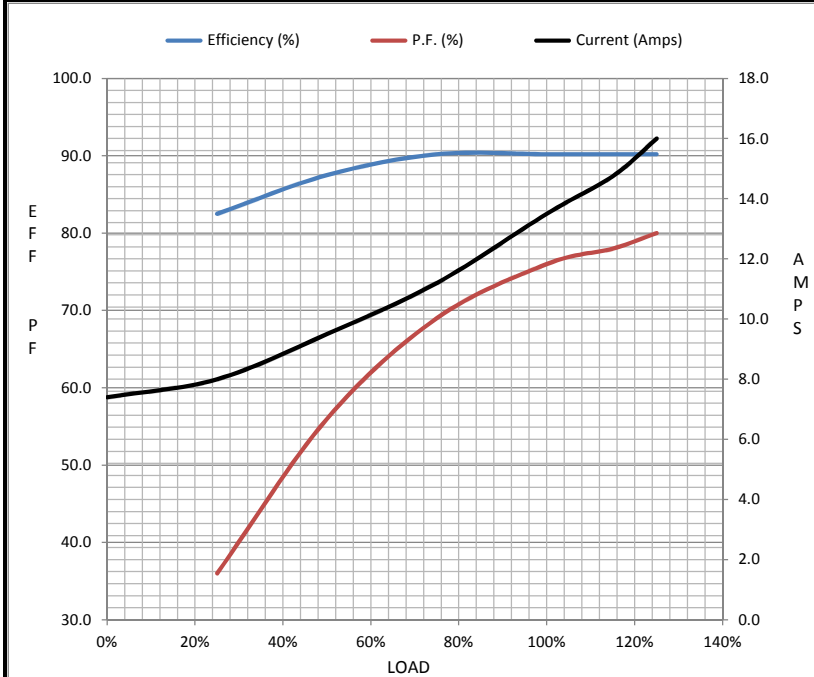
**Motor Load Data**

Load	0%	25%	50%	75%	100%	115%	125%	LR
Current (Amps)	7.4	8.0	9.5	11.2	13.5	14.8	16.0	125
Torque (ft-lb)	0.00	7.5	14.7	22.2	29.6	33.4	37.2	110
RPM	1800	1792	1786	1780	1774	1,771	1766	0
Efficiency (%)		82.5	87.5	90.2	90.2	90.2	90.2	
P.F. (%)	7.0	36.0	56.0	69.0	76.0	78.0	80.0	43.0

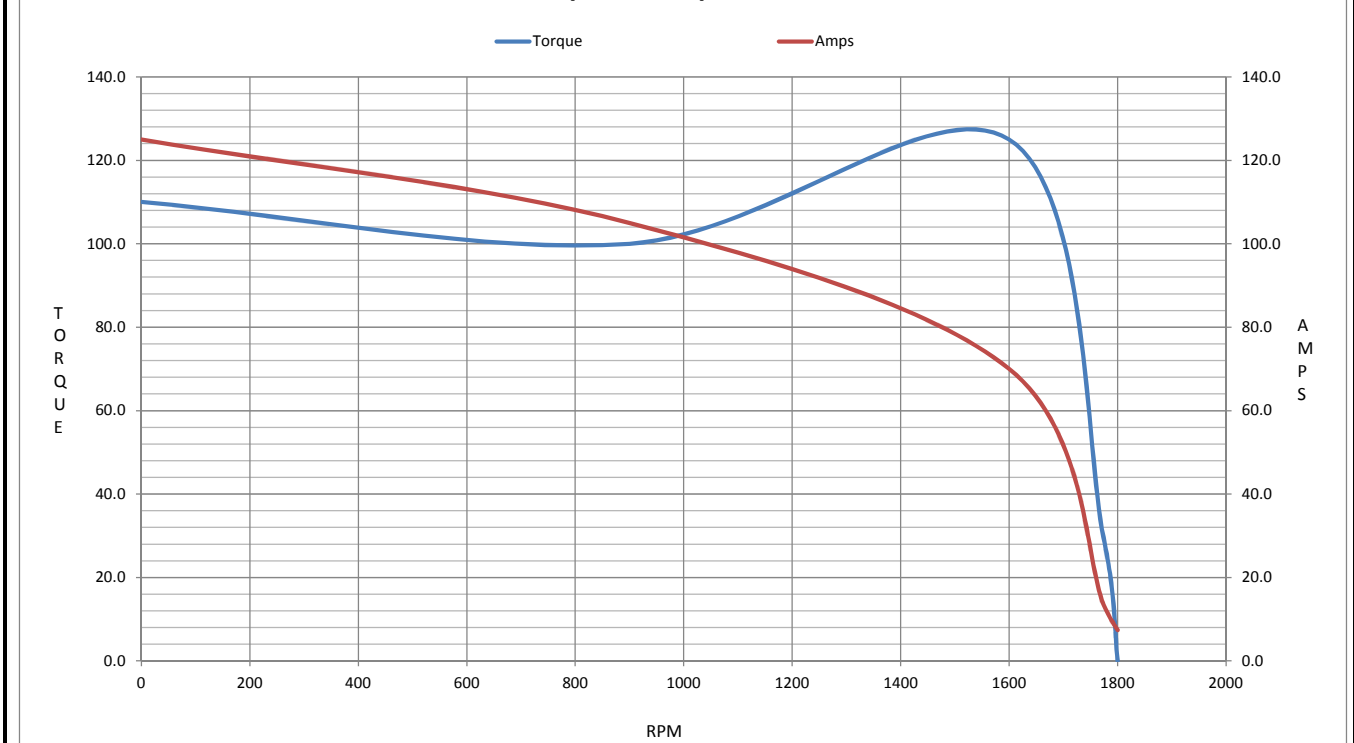
**Motor Speed Data**

	LR	Pull-Up	BD	Rated	Idle
Speed (RPM)	0	900	1600	1774	1800
Current (Amps)	125	105	70.0	13.5	7.4
Torque (ft-lb)	110	100	125	29.6	0.00

Information Block				
HP	10.0			
Sync. RPM	1800			
Frame	215			
Enclosure	TENV			
Construction	TTL			
Voltage	230/460 V			
Frequency	60 Hz			
Design	A			
LR Code letter	M			
Service Factor	1.0			
Temp Rise @ FL	90 ° C			
Duty	CONT			
Ambient	40 ° C			
Elevation	1,000 feet			
Rotor/Shaft wk <sup>2</sup>	1.30 Lb-Ft <sup>2</sup>			
Ref Wdg	K2154304 NONE			
Sound Pressure @ 1M	62 dBA			
VFD Rating	CONSTANT 1000:1			
Outline Dwg	B-SS330105-1275			
Conn. Diag	A-EE7308T			
Additional Specifications:				
0				
365THFS8036				
EQUIV CKT (OHMS / PHASE)				
R1	R2	X1	X2	Xm
0.2840	0.2840	1.4200	2.2720	34.9320



**Speed - Torque Curve**





## EC Declaration of Conformity

The undersigned representing  
the manufacturer:

Regal Beloit America  
100 East Randolph St.  
Wausau, WI 54401

and the authorized representative  
established within the Community:

Marathon Electric UK  
6F Thistleton Road Ind. Estate  
Market Overton  
Oakham, Rutland LE15 7PP UK

are committed to providing customers with products that comply with applicable regulations and international protocols to which they are subject, including the requirements of the European Parliament Directive on the Harmonization of the laws relating to electrical equipment designed for use within certain voltage limits (2014/35/EU).

Regal Beloit America declares that the following product(s), to which this declaration relates, are in conformity with the relevant sections of the EC standards listed below.

This statement supersedes any statements previously issued pertaining to the product(s) listed below and is subject to change without notice.

Model No : 215THTL7726

(Model No. may contain prefix and/or suffix characters)

Catalog No : Y547

Rework No : N/A

Directives :

Low Voltage Directive 2014/35/EU

Harmonized Standards Used :

EN 60034-1: 2010 (IEC 60034-1: 2010)

EN 60034-5: 2001/A1:2007 (IEC 60034-5: 2000/A1:2006)

Authorized Representative:



Michael A. Logsdon  
Vice President, Technology

Authorized Representative in the Community:



Julian Clark  
Marketing Engineer

Created on 09/01/2022

**CE 22**