

# PRODUCT INFORMATION PACKET

Model No: 213TTWWD16028

Catalog No: N660A

PowerWash™ XT Wash Down Duty™ General Purpose Motor, 7.50 & 5 HP, 3 Ph, 60 & 50 Hz,  
230/460 & 190/380 V, 1800 & 1500 RPM, 213TC Frame, TEFC



Regal and Marathon are trademarks of Regal Rexnord Corporation or one of its affiliated companies.

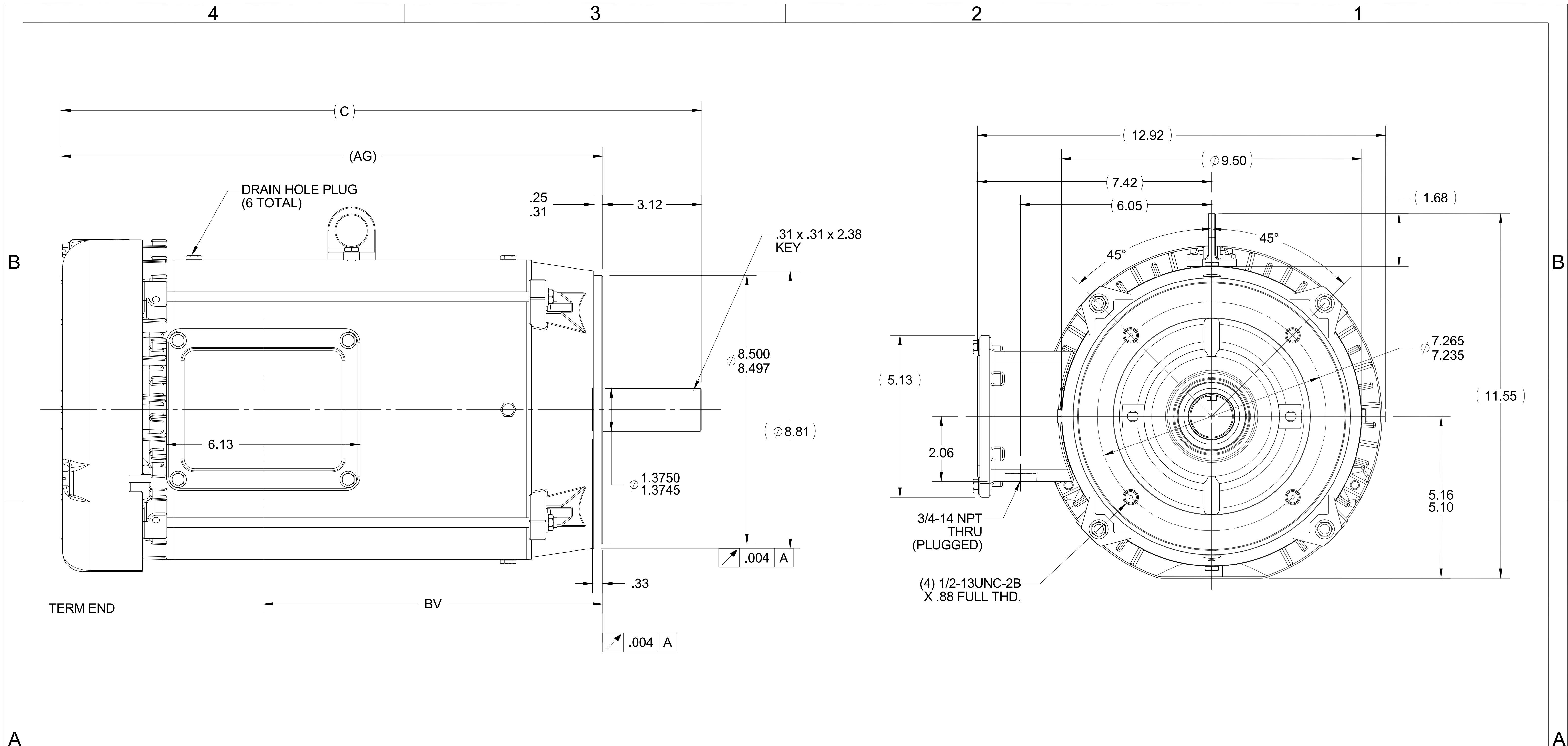
©2023 Regal Rexnord Corporation, All Rights Reserved. MC017097E

### Nameplate Specifications

Phase	<b>3</b>	Output HP	<b>7.50 &amp; 5 Hp</b>
Output KW	<b>5.6 &amp; 3.7 kW</b>	Voltage	<b>230/460 &amp; 190/380 V</b>
Speed	<b>1765 &amp; 1475 rpm</b>	Service Factor	<b>1.15 &amp; 1.15</b>
Frame	<b>213TC</b>	Enclosure	<b>Totally Enclosed Fan Cooled</b>
Thermal Protection	<b>No Protection</b>	Efficiency	<b>91.7 &amp; 90.2 %</b>
Ambient Temperature	<b>40 °C</b>	Frequency	<b>60 &amp; 50 Hz</b>
Current	<b>19.6/9.8 &amp; 16.6/8.3 A</b>	Power Factor	<b>78.3</b>
Duty	<b>Continuous</b>	Insulation Class	<b>F</b>
Design Code	<b>B</b>	KVA Code	<b>H</b>
Drive End Bearing Size	<b>6309</b>	Opp Drive End Bearing Size	<b>6206</b>
UL	<b>Recognized</b>	CSA	<b>Y</b>
CE	<b>Y</b>	IP Code	<b>55</b>
Number of Speeds	<b>1</b>		

### Technical Specifications

Electrical Type	<b>Squirrel Cage Induction Run</b>	Starting Method	<b>Across The Line</b>
Poles	<b>4</b>	Rotation	<b>Reversible</b>
Resistance Main	<b>1.18 Ohms</b>	Mounting	<b>Round</b>
Motor Orientation	<b>Horizontal</b>	Drive End Bearing	<b>Ball</b>
Opp Drive End Bearing	<b>Ball</b>	Frame Material	<b>Rolled Steel</b>
Shaft Type	<b>T</b>	Overall Length	<b>18.77 in</b>
Frame Length	<b>9.65 in</b>	Shaft Diameter	<b>1.375 in</b>
Shaft Extension	<b>3.37 in</b>	Assembly/Box Mounting	<b>F1 ONLY</b>
Outline Drawing	<b>038049-965</b>	Connection Drawing	<b>005010.01ME</b>



NOTES:  
 1- NAMEPLATE TO BE READ FROM C'BOX SIDE OF MOTOR.  
 DASH 965 TO BE READ FROM OPPOSITE SHAFT END  
 2- C'BOX CAN BE MOUNTED ON OPPOSITE SIDE BY REMOVING BRACKETS AND TURNING FRAME 180 DEGREES (EXCEPT AS NOTED).

ORACLE REV  
001

DASH	FRAME	C	BV	AG	MOUNTING
965	213T	18.77	9.26	15.65	
1115	213/15T	20.27	10.76	17.15	
1240	215T	21.52	12.01	18.40	F1 ONLY

DRAWING REVISION	REVISION BY	DATE
A	SL	11/05/2015
ECO	APPROVED BY	DATE
ECO-0086119	SR	11/05/2015

ECO DESCRIPTION  
**NEW DRAWING**  
 COPYRIGHT REGAL BELOIT AMERICA, INC. ALL RIGHTS RESERVED. PROPRIETARY AND CONFIDENTIAL INFORMATION - THIS DOCUMENT IS THE PROPERTY OF REGAL BELOIT AMERICA, INC. ("OWNER") AND CONTAINS OWNER'S PROPRIETARY INFORMATION. ANY PERSON, CORPORATION OR OTHER FIRM RECEIVING IT IS DEEMED, BY RECEIVING IT, TO AGREE THAT IT, AND/OR ANY PART OF IT, SHALL NOT BE DISCLOSED TO ANY PERSON, CORPORATION OR OTHER ENTITY, DUPLICATED, AND/OR USED, EXCEPT AS EXPRESSLY APPROVED IN WRITING IN ADVANCE BY OWNER. THIS DOCUMENT SHALL BE RETURNED TO OWNER UPON REQUEST. IT MAY BE SUBJECT TO CERTAIN RESTRICTIONS UNDER APPLICABLE EXPORT CONTROL LAWS AND REGULATIONS.

TOLERANCES UNLESS OTHERWISE SPECIFIED:

DEC.	INCH	mm	ANGLE
.X	±0.1	[±2.5]	±0.5°
.XX	±0.03	[±0.76]	
.XXX	±0.005	[±0.127]	
.XXXX	±0.0005	[±0.0127]	

REMOVE BURRS & BREAK SHARP EDGES: .003/.015 [.076/.381] X 45°  
 CORNER FILLETS: R.02 [.51]  
 MACHINED SURFACES: 125 INCH 3.2 mm

DRAWN BY	DATE
SL	11/05/2015
APPROVED BY	DATE
SR	11/05/2015
REFERENCE	THIRD ANGLE PROJECTION

Regal Beloit America, Inc.	
DESCRIPTION <b>OUTLINE</b>	
WASHDOWN 210FR-TEFC-C-FACE-3PH-ROUND	
MATERIAL	PROCESS/FINISH
SIZE <b>B</b>	DRAWING NUMBER <b>038049</b>
SHEET 1 OF 1	

VIEW FROM OUTSIDE OF MOTOR AT SWITCH END.



VOLTAGE	L1	L2	L3	JOIN & INSULATE
HIGH	T1	T2	T3	(T4,T7) (T5,T8) (T6,T9)
LOW	T1,T7	T2,T8	T3,T9	T4,T5,T6

TOLERANCES UNLESS SPECIFIED		DRAWN RDW 04/12/02		MARATHON ELECTRIC		CHK		
DEC.	INCHES			TITLE		APPD		
.X	±.1			EXTERNAL WIRING DIAGRAM 3 PHASE W/O PROTECTOR		SCALE 1=1		
.XX	±.01			MAT'L. DECAL - 004014		REF FIG.2-51		
.XXX	±.005			FINISH		FMF		
.XXXX	±.0005			NO. REVISION		PREV		
		BY & DATE	CHK	ANG	±1/2"			
THIS DRAWING IN DESIGN AND DETAIL IS OUR PROPERTY AND MUST NOT BE USED EXCEPT IN CONNECTION WITH OUR WORK ALL RIGHTS OF DESIGN AND INVENTION ARE RESERVED THIS IS AN ELECTRONICALLY GENERATED DOCUMENT - DO NOT SCALE THIS PRINT		RFP	04/12/02	CAD FILE	00501001ME	SIZE A	DRAWING NO. 005010-01ME	REV.
		DIST						



P.O. BOX 8003  
WAUSAU, WI 54401-8003  
PH. 715-675-3311

DATA VOLTS: 460

**CERTIFICATION DATA SHEET**

CUSTOMER: \_\_\_\_\_ CUSTOMER P.O. #: \_\_\_\_\_  
 ORDER #: \_\_\_\_\_ REFERENCE MODEL #: 213TTWWD16028  
 CONN. DIAGRAM: 005010.01ME CAT #: N660A  
 OUTLINE: 038049-965 CUSTOMER PART #: \_\_\_\_\_  
 WINDING: K2134279 R1 2 MOUNTING: F1 ONLY  
 SPEED: \_\_\_\_\_

**TYPICAL MOTOR PERFORMANCE DATA**

HP	KW	SYNC RPM	FL RPM	FRAME	ENCLOSURE	TYPE	KVA CODE	DESIGN		
7.5	5.6	1800	1765	213TC	TEFC	TFW	H	B		
PH	HZ	VOLTS	AMPS	START TYPE	DUTY	INSL	S.F.	AMB	ELEV.	
3	60/50	230/460#190/380	19.6/9.8&16.6/8.3	ACROSS THE LINE	CONT	F	1.15	40	3300	
F.L. EFF	91.7	3/4 LD EFF	91.6	1/2 LD EFF	90.6	GTD EFF	91.0	ELECT. TYPE	SQ CAGE IND RUN	
F.L. PF	78.3	3/4 LD PF	72.6	1/2 LD PF	60.4					
F.L. TORQUE	LR AMPS @ 460 V	L.R. TORQUE	B.D. TORQUE	F.L. RISE (° C)						
22.3 LB-FT	67.5	52.9 LB-FT 237%	75.0 LB-FT 336%	55						
@ 3 FT.	POWER	ROTOR WK <sup>2</sup>	MAX. LOAD WK <sup>2</sup>	SAFE STALL TIME	STARTS/HOUR	MOTOR WGT				
62 dBA	71 dBA	0.85 LB-FT <sup>2</sup>	62 LB-FT <sup>2</sup>	15 SEC.	2	140 LB.				
*** SUPPLEMENTAL INFORMATION ***										
DE BRACKET TYPE	ODE BRACKET TYPE	MOUNT TYPE	MOTOR ORIENTATION	SEVERE DUTY	HAZARDOUS LOCATION	DRIP COVER	SCREENS	PAINT		
C-FACE	STANDARD	ROUND	HORIZONTAL	NO	NONE	NO	NONE	HITE - LEESON (EPO)		
BEARINGS		GREASE	SHAFT TYPE	SPECIAL DE	SPECIAL ODE	SHAFT MATERIAL	FRAME MATERIAL			
DE	ODE	POLYREX EM	T	NONE	NONE	303 STAINLESS (C-501)	ROLLED STEEL			
BALL	BALL									
6309	6206									
THERMOSTATS	PROTECTORS	WDG RTD's	BRG RTD's	THERMISTORS	CONTROL	SPACE HEATERS				
NONE	NOT	NONE	NONE	NONE	FALSE	NA				
R1 (ohms/ph)	R2 (ohms/ph)	X1 (ohms/ph)	X2 (ohms/ph)	Xm (ohms/ph)	VIBRATION (in/sec)	FLOAT				
0.76	1.108	2.458	3.173	50.414	0.150	ODE				
* N O T E S *						INVERTER TORQUE: NONE INV. HP SPEED RANGE: NONE				
						ENCODER: NONE NONE NONE				
						BRAKE: NONE NONE				
						FT-LB: NA VOLTAGE: NONE				
						UL: V-INS, CONST UL REC				
PREPARED BY: FAREEDA DUDEKULA DATE: 9/17/2018										

FORM: 3531 REV\_4 2/27/06

**Data Sheet**

Date: 12/5/2018  
 Customer: \_\_\_\_\_  
 Attention: \_\_\_\_\_  
 Submitted by: FAREEDA DUDEKULA



213TTWWD16028

**Submittal**

Data @ 460 V

**Motor Load Data**

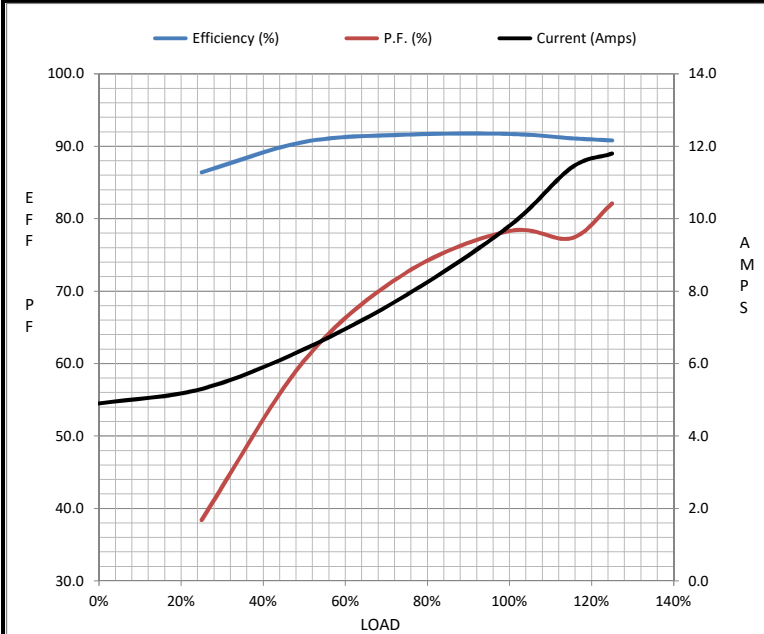
Load	0%	25%	50%	75%	100%	115%	125%	LR
Current (Amps)	4.9	5.3	6.4	7.9	9.8	11.4	11.8	67.5
Torque (ft-lb)	0.00	5.5	11.0	16.6	22.3	25.5	28.0	52.9
RPM	1800	1792	1785	1775	1765	1,765	1762	0
Efficiency (%)		86.4	90.6	91.6	91.7	91.1	90.8	
P.F. (%)	4.9	38.4	60.4	72.6	78.3	77.3	82.1	42.6

**Motor Speed Data**

	LR	Pull-Up	BD	Rated	Idle
Speed (RPM)	0	900	1600	1765	1800
Current (Amps)	67.5	57.0	41.0	9.8	4.9
Torque (ft-lb)	52.9	49.0	75.0	22.3	0.00

**Information Block**

HP	7.5			
Sync. RPM	1800			
Frame	213			
Enclosure	TEFC			
Construction	TFR			
Voltage	230/460#190/380 V			
Frequency	60 Hz			
Design	B			
LR Code letter	H			
Service Factor	1.15			
Temp Rise @ FL	55 °C			
Duty	CONT			
Ambient	40 °C			
Elevation	1,000 feet			
Rotor/Shaft wk <sup>2</sup>	0.85 Lb-Ft <sup>2</sup>			
Ref Wdg	K2134279 R1			
Sound Pressure @ 1M	62 dBA			
VFD Rating	NONE			
Outline Dwg	038049-965			
Conn. Diag	005010.01ME			
Additional Specifications:				
0				
0				
EQUIV CKT (OHMS / PHASE)				
R1	R2	X1	X2	Xm
0.7600	1.1080	2.4580	3.1730	50.4140



**Speed - Torque Curve**

