

PRODUCT INFORMATION PACKET

Model No: 213TTWW16002

Catalog No: N325

PowerWash™ XT Wash Down Duty™ General Purpose Motor, 7.50 & 5 HP, 3 Ph, 60 & 50 Hz,
230/460 & 190/380 V, 3600 & 3000 RPM, 213T Frame, TEFC



Regal and Marathon are trademarks of Regal Rexnord Corporation or one of its affiliated companies.

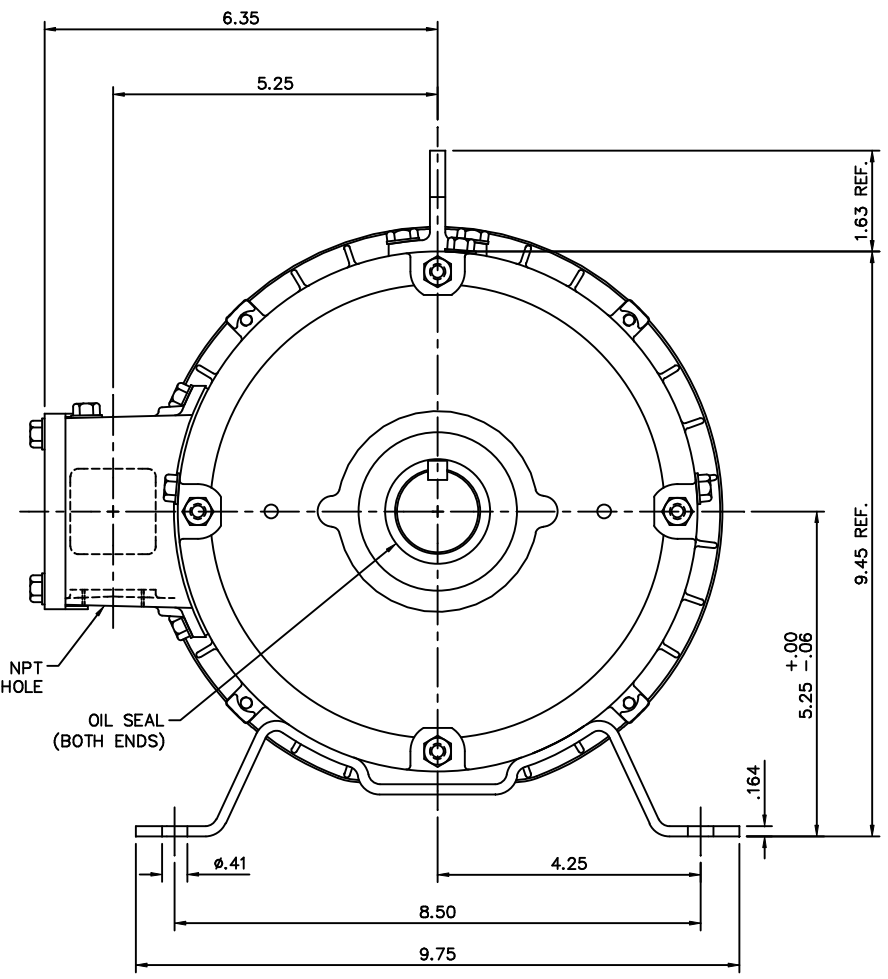
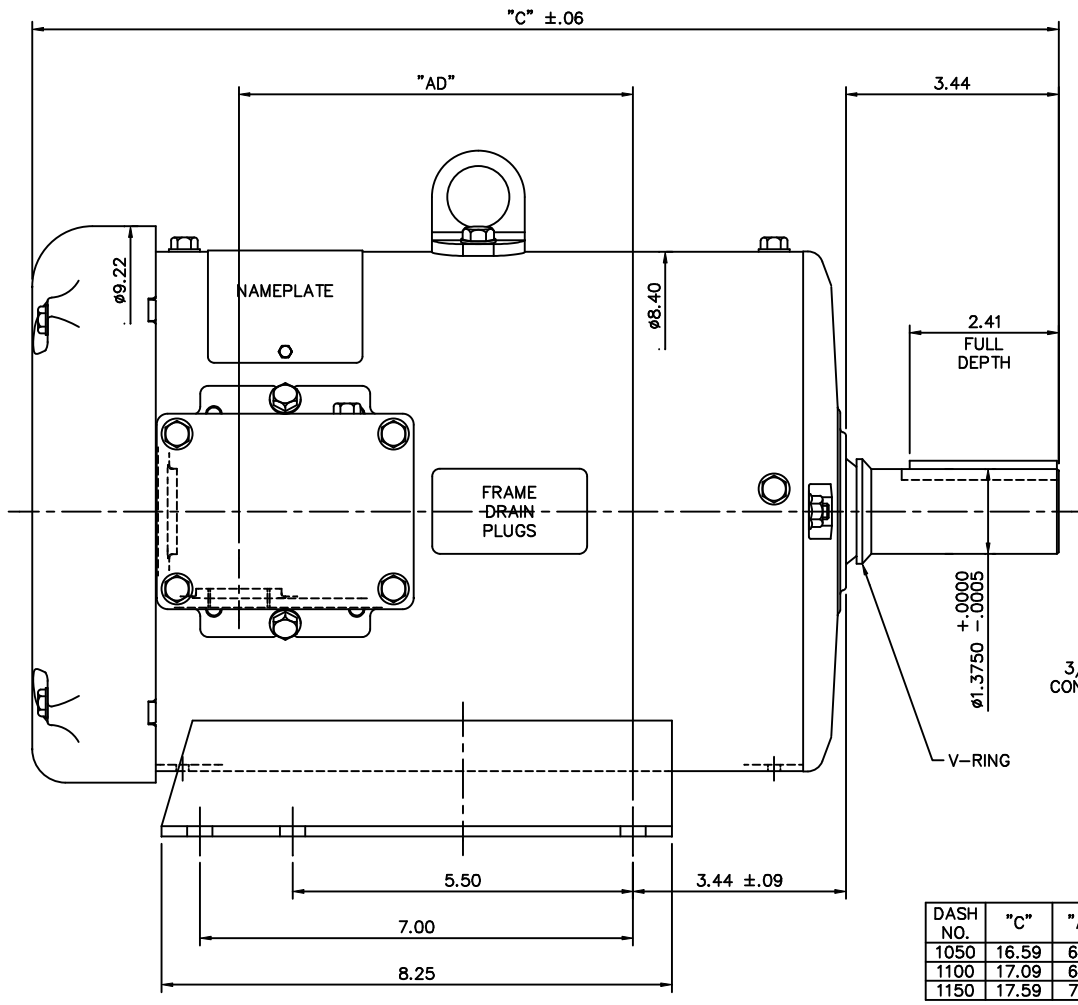
©2023 Regal Rexnord Corporation, All Rights Reserved. MC017097E

Nameplate Specifications

Phase	3	Output HP	7.50 & 5 Hp
Output KW	5.6 & 3.7 kW	Voltage	230/460 & 190/380 V
Speed	3500 & 2925 rpm	Service Factor	1.15 & 1.15
Frame	213T	Enclosure	Totally Enclosed Fan Cooled
Thermal Protection	No Protection	Efficiency	89.5 %
Ambient Temperature	40 °C	Frequency	60 & 50 Hz
Current	17.6/8.8 & 15/7.5 A	Power Factor	88.5
Duty	Continuous	Insulation Class	F
Design Code	A	KVA Code	L
Drive End Bearing Size	6207	Opp Drive End Bearing Size	6205
UL	Recognized	CSA	Y
CE	Y	IP Code	55
Number of Speeds	1		

Technical Specifications

Electrical Type	Squirrel Cage Induction Run	Starting Method	Across The Line
Poles	2	Rotation	Reversible
Resistance Main	1.3 Ohms	Mounting	Rigid Base
Motor Orientation	Horizontal	Drive End Bearing	Ball
Opp Drive End Bearing	Ball	Frame Material	Rolled Steel
Shaft Type	T	Overall Length	16.59 in
Frame Length	10.50 in	Shaft Diameter	1.375 in
Shaft Extension	3.44 in	Assembly/Box Mounting	F1/F2 Capable
Connection Drawing	005010.01ME	Outline Drawing	035435ME-1050



DASH NO.	"C"	"AD"
1050	16.59	6.37
1100	17.09	6.87
1150	17.59	7.37

SPECIAL FEATURES:

- 1) SHAFT SEALS & V-RING
- 2) DRAIN HOLES IN FRAME & CONDUIT BOX
- 3) STAINLESS STEEL SHAFT, HARDWARE & NAMEPLATE
- 4) GASKETS THROUGHOUT

		TOLERANCES UNLESS SPECIFIED				DRAWN RLV 1/19/05	
		DEC.	INCHES			CHK	
		.X	±.1	TITLE		APPD KH 1/19/05	
		.XX	±.03	OUTLINE - S213T FRAME		SCALE 1=2	
		.XXX	±.005	TEFC - RIGID		REF	
		.XXXX	±.0005	MAT'L		FMF	
NO.	REVISION	BY & DATE	CHK	ANG	±1/2"	FINISH	PREV
THIS DRAWING IN DESIGN AND DETAIL IS OUR PROPERTY AND MUST NOT BE USED EXCEPT IN CONNECTION WITH OUR WORK ALL RIGHTS OF DESIGN AND INVENTION ARE RESERVED THIS IS AN ELECTRONICALLY GENERATED DOCUMENT - DO NOT SCALE THIS PRINT				RFP	CAD FILE	035435ME	SIZE B
				DIST	NLV	DRAWING NO.	035435ME
						REV.	

VIEW FROM OUTSIDE OF MOTOR AT SWITCH END.



VOLTAGE	L1	L2	L3	JOIN & INSULATE
HIGH	T1	T2	T3	(T4,T7) (T5,T8) (T6,T9)
LOW	T1,T7	T2,T8	T3,T9	T4,T5,T6

		TOLERANCES UNLESS SPECIFIED		MARATHON ELECTRIC		DRAWN RDW 04/12/02		
		DEC.	INCHES			CHK		
		.X	±.1			APPD		
		.XX	±.01	TITLE		SCALE 1=1		
		.XXX	±.005	EXTERNAL WIRING DIAGRAM 3 PHASE W/O PROTECTOR		REF FIG.2-51		
		.XXXX	±.0005	MAT'L. DECAL - 004014		FMF		
NO.	REVISION	BY & DATE	CHK	ANG	FINISH	SIZE	DRAWING NO.	REV.
			RFP	04/12/02	CAD FILE 00501001ME	A	005010-01ME	
			DIST					

THIS DRAWING IN DESIGN AND DETAIL IS OUR PROPERTY AND MUST NOT BE USED EXCEPT IN CONNECTION WITH OUR WORK ALL RIGHTS OF DESIGN AND INVENTION ARE RESERVED THIS IS AN ELECTRONICALLY GENERATED DOCUMENT - DO NOT SCALE THIS PRINT

CERTIFICATION DATA SHEET

Model#: 213TTWW16002 AA
CONN. DIAGRAM: 005010.01ME
OUTLINE: 035435ME-1050

WINDING#: T82153 FR 3
ASSEMBLY: F1/F2 CAPABLE

TYPICAL MOTOR PERFORMANCE DATA

HP	KW	SYNC. RPM	F.L. RPM	FRAME	ENCLOSURE	KVA CODE	DESIGN
7 1/2&5	5.60&3.70	3600	3500&2925	213T	TEFC	L	A

PH	Hz	VOLTS	FL AMPS	START TYPE	DUTY	INSL	S.F	AMB°C	ELEVATION
3	60/50	230/460#190/ 380	17.6/8.8&15/7. 5	ACROSS THE LINE	CONTINUOU S	F4	1.15/1.15	40	3300

FULL LOAD EFF: 89.5	3/4 LOAD EFF: 91.2	1/2 LOAD EFF: 90.8	GTD. EFF	ELEC. TYPE	NO LOAD AMPS
FULL LOAD PF: 88.5	3/4 LOAD PF: 84.2	1/2 LOAD PF: 75.2	87.5	SQ CAGE IND RUN	6 / 3

F.L. TORQUE	LOCKED ROTOR AMPS	L.R. TORQUE	B.D. TORQUE	F.L. RISE°C
11.2 LB-FT	175 / 87.5	34.6 LB-FT 308	46 LB-FT 409	0

SOUND PRESSURE @ 3 FT.	SOUND POWER	ROTOR WK^2	MAX. WK^2	SAFE STALL TIME	STARTS /HOUR	APPROX. MOTOR WGT
0 dBA	10 dBA	0.221 LB-FT^2	0 LB-FT^2	15 SEC.	2	0 LBS.

***** SUPPLEMENTAL INFORMATION *****

DE BRACKET TYPE	ODE BRACKET TYPE	MOUNT TYPE	ORIENTATION	SEVERE DUTY	HAZARDOUS LOCATION	DRIP COVER	SCREENS	PAINT
STANDARD	STANDARD	RIGID	HORIZONTAL	FALSE	NONE	FALSE	NONE	WHITE - LEESON (EPOXY)

BEARINGS		GREASE	SHAFT TYPE	SPECIAL DE	SPECIAL ODE	SHAFT MATERIAL	FRAME MATERIAL
DE	OPE						
BALL	BALL	POLYREX EM	T	NONE	NONE	303 STAINLESS (C-501)	ROLLED STEEL
6207	6205						

THERMO-PROTECTORS				THERMISTORS	CONTROL	SPACE /n HEATERS
THERMOSTATS	PROTECTORS	WDG RTDs	BRG RTDs			
NONE	NOT	NONE	NONE	NONE	FALSE	NONE VOLTS

If Inverter equals NONE, contact factory for further information

*
N
O
T
E
S
*

INVERTER TORQUE: NONE
INV. HP SPEED RANGE: NONE
ENCODER: NONE
NONE NONE
NONE NONE PPR
BRAKE: NONE NONE
NONE P/N NONE
NONE NONE
NONE FT-LB NONE V NONE Hz

DATE: 06/22/2017 06:54:31 AM
 FORM 3531 REV.3 02/07/99
 ** Subject to change without notice.

Data Sheet

Date: 1/7/2019
 Customer: _____
 Attention: _____
 Submitted by: FAREEDA DUDEKULA



213TTWW16002

Submital
 Data @ **460 V**

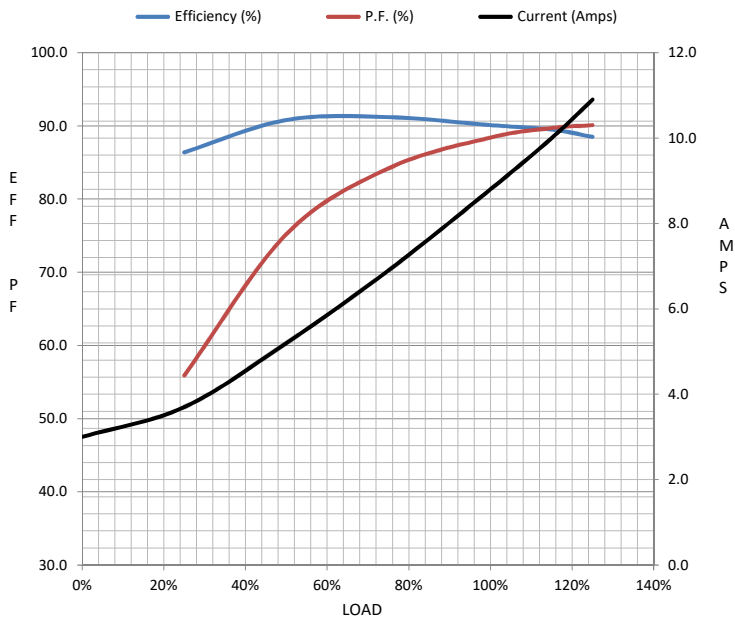
Motor Load Data

Load	0%	25%	50%	75%	100%	115%	125%	LR
Current (Amps)	3.0	3.7	5.2	6.9	8.8	10.0	10.9	87.5
Torque (ft-lb)	0.00	2.80	5.6	8.4	11.2	12.9	14.0	34.6
RPM	3600	3579	3556	3535	3510	3494	3482	0
Efficiency (%)		86.4	90.8	91.2	90.1	89.5	88.5	
P.F. (%)	9.4	55.9	75.2	84.2	88.4	89.7	90.1	0.0

Motor Speed Data

	LR	Pull-Up	BD	Rated	Idle
Speed (RPM)	0	400	3312	3510	3600
Current (Amps)	87.5	80.5	52.5	8.8	3.0
Torque (ft-lb)	34.6	33.5	46.0	11.2	0.00

Information Block				
HP	7.5			
Sync. RPM	3600			
Frame	180			
Enclosure	TEFC			
Construction	TFR			
Voltage	230/460#190/380 V			
Frequency	60 Hz			
Design	A			
LR Code letter	L			
Service Factor	1.15			
Temp Rise @ FL	70 °C			
Duty	CONT			
Ambient	40 °C			
Elevation	3,300 feet			
Rotor/Shaft wk ²	0.22 Lb-Ft ²			
Ref Wdg	T82153 FR			
Sound Pressure @ 1M	0 dBA			
VFD Rating	NONE			
Outline Dwg	035435ME-1050			
Conn. Diag	005010.01ME			
Additional Specifications:				
0				
0				
EQUIV CKT (OHMS / PHASE)				
R1	R2	X1	X2	Xm
0.0000	0.0000	0.0000	0.0000	0.0000



Speed - Torque Curve

