

PRODUCT INFORMATION PACKET

Model No: 213TTTS17078

Catalog No: S557

Other Purpose Motor, 3 HP, 3 Ph, 60 Hz, 575 V, 1200 RPM, 213T Frame, TEAO



Regal and are trademarks of Regal Rexnord Corporation or one of its affiliated companies.
©2022 Regal Rexnord Corporation, All Rights Reserved. MC017097E

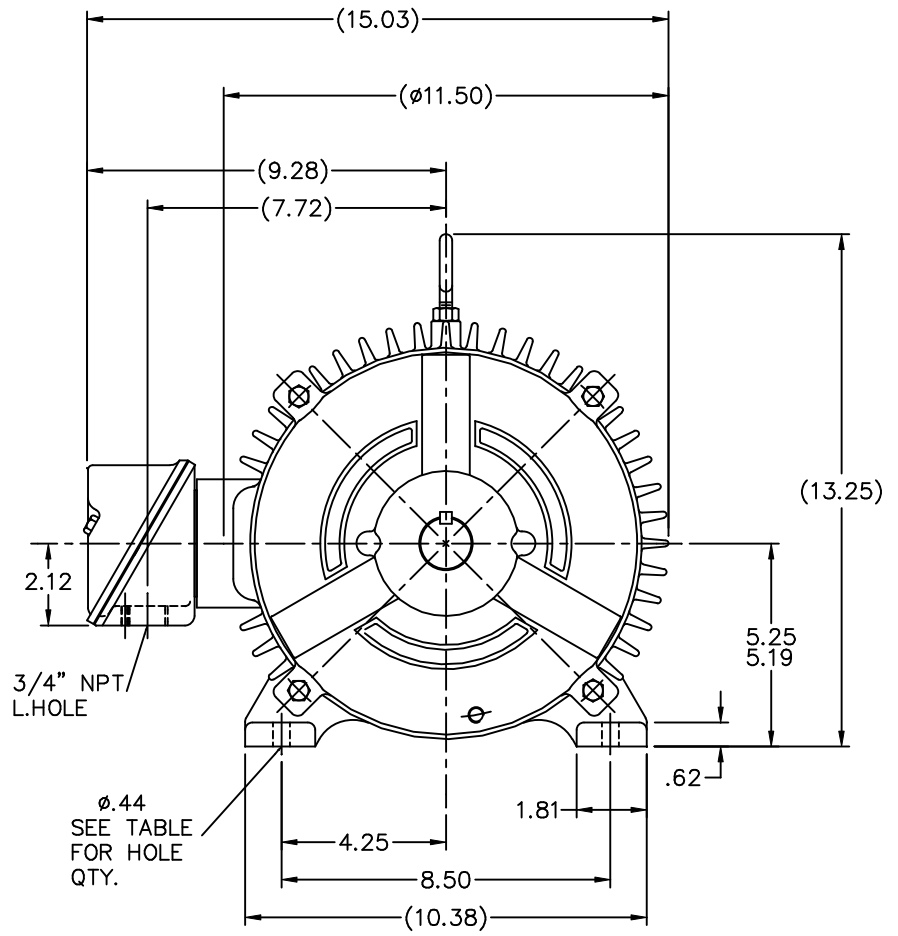
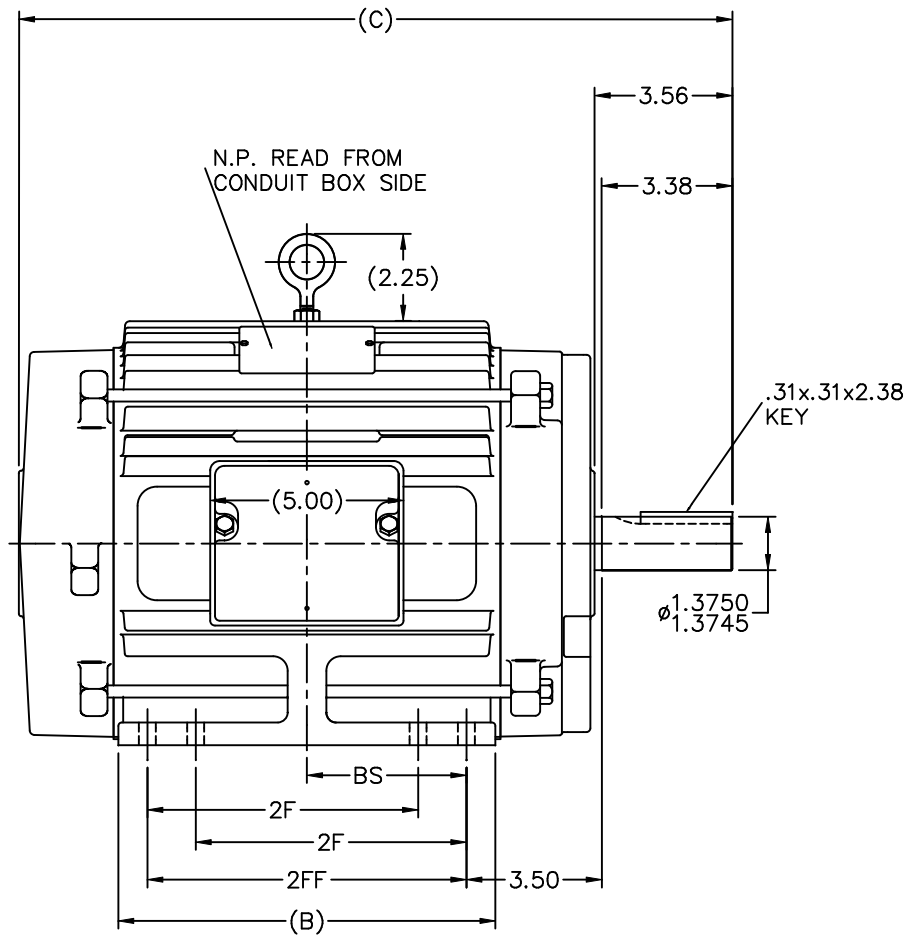
Nameplate Specifications

Output HP	3 Hp	Output KW	2.2 kW
Frequency	60 Hz	Voltage	575 V
Current	3.5 A	Speed	1170 rpm
Service Factor	1.15	Phase	3
Efficiency	89.5 %	Power Factor	73
Duty	Continuous	Insulation Class	H
Design Code	B	KVA Code	K
Frame	213T	Enclosure	Totally Enclosed Air Over
Thermal Protection	No Protection	Ambient Temperature	90 °C
Drive End Bearing Size	6307	Opp Drive End Bearing Size	6206
UL	Recognized	CSA	Y
CE	N	IP Code	54
Number of Speeds	1		

Technical Specifications

Electrical Type	Squirrel Cage Inverter Rated	Starting Method	Line Or Inverter
Poles	6	Rotation	Reversible
Resistance Main	2.985 Ohms	Mounting	Rigid Base
Motor Orientation	Horizontal	Drive End Bearing	Ball / Heat Stabilized
Opp Drive End Bearing	Ball / Heat Stabilized	Frame Material	Cast Iron
Shaft Type	T	Overall Length	15.69 in
Frame Length	7.25 in	Shaft Diameter	1.375 in
Shaft Extension	3.56 in	Assembly/Box Mounting	F1/F2 Capable
Connection Drawing	A-EE7300T	Outline Drawing	B-SS85995-725

This is an uncontrolled document once printed or downloaded and is subject to change without notice. Date Created:09/07/2022



- NOTES:
 1. BOX CAN BE ROTATED IN 90° STEPS.
 2. BOX CAN BE MOUNTED ON OPPOSITE SIDE BY REMOVING BRACKETS AND TURNING FRAME 180°.

(REPLACES A-SS87840)

DASH	FRAME	B	2F	2FF	BS	C	FOOT HOLE QTY.	MOUNTING
725	213T	7.00	-	5.50	2.75	15.69	4	F1 OR F2
875	215T	8.50	-	7.00	3.50	17.19	4	F1 OR F2
875	213/5T	8.50	5.50	7.00	3.50	17.19	8	F1 OR F2
1000	213T	9.75	5.50	8.25	4.12	18.44	8	F1 OR F2
1000	215T	9.75	7.00	8.25	4.12	18.44	8	F1 OR F2

				TOLERANCES UNLESS SPECIFIED		MARATHON ELECTRIC		DRAWN BRH 06-17-1996					
8	CLARIFIED EXT. DIMENSION	MU43615	TAT 02-13-2004	ML	DEC.	INCHES		CHK	KL 06-28-1996				
7	ADDED FOOT HOLE QTY. & MTG. TO TABLE	CN 37322	TAT 01-14-2004	ML	.X	±.1		APPD	ML 06-28-1996				
6	FOOT HOLES WERE 4 NOW 8	CN 29200-450	DRS 05-16-2000	.XX	±.03		TITLE OUTLINE						
5	REVISED CONDUIT BOX	CN 28426	NJS 01-18-2000	.XXX	±.005		210T FR. - TENV - CAST CONDUIT BOX						
4	AD'D '213/15 MAY ONLY HAVE..' NOTE	CN 27400-361	BLR 08-31-1999	.XXXX	±.0005		MAT'L						
NO.	REVISION	BY & DATE	CHK	ANG	±7'30"		FINISH						
THIS DRAWING IN DESIGN AND DETAIL IS OUR PROPERTY AND MUST NOT BE USED EXCEPT IN CONNECTION WITH OUR WORK ALL RIGHTS OF DESIGN AND INVENTION ARE RESERVED THIS IS AN ELECTRONICALLY GENERATED DOCUMENT - DO NOT SCALE THIS PRINT							RFP	CAD FILE ss85995					
							DIST	LB	SIZE	DRAWING NO.	PAGE	OF	REV.
									B	SS85995	8		8

ERROR: undefined
OFFENDING COMMAND: Pscript_WinNT_

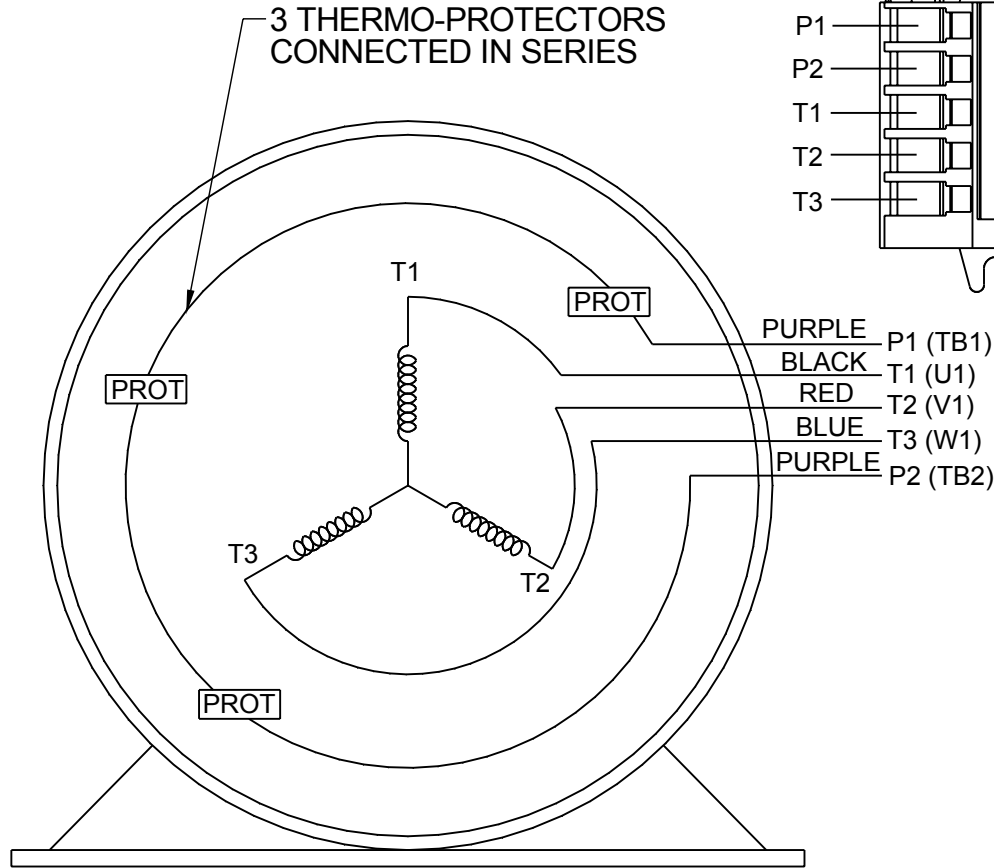
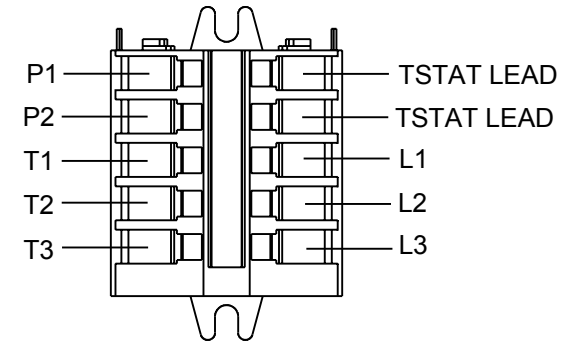
STACK:

**THREE PHASE - SINGLE VOLTAGE
MOTOR - CONDUIT BOX @ 'A'**

**TO REVERSE ROTATION:
INTERCHANGE ANY TWO LINE
LEAD CONNECTIONS**

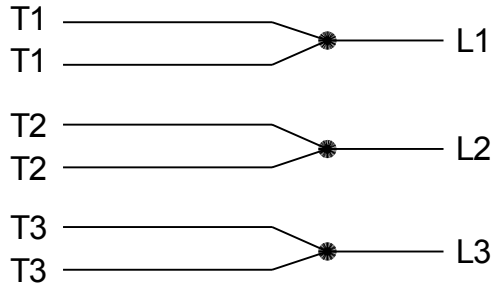
**NOTE FOR FACTORY USE ONLY:
TO SURGE TEST:
FOR 3 LEAD COMMON CONNECT:
CONNECT P1 TO T1 THEN P2 TO L1
FOR 6 LEAD COMMON CONNECT:
CONNECT P1 TO BOTH T1
THEN P2 TO L1**

TERMINAL BLOCK WHEN SPECIFIED



VIEW OF TERMINAL END

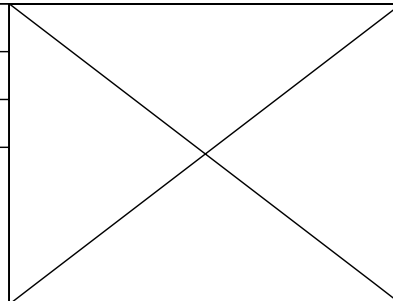
**IF MOTOR HAS MULTIPLE
T'S PER LEAD CONNECT
TOGETHER LIKE T'S**



A-9806 DECAL

- T2BM
- T6AW
- T6AL
- T6Z
- T4EG
- T4BF
- T8A
- T6H
- T6A
- T4AX
- T4A
- T2A
- T2F

DRAWING REVISION AB	REVISION BY AJW	DATE 07-17-2015
ECO ECO-0081632	APPROVED BY T.VUE	DATE 07-17-2015
ECO DESCRIPTION REV'D IEC MARKINGS PER IEC-60034-8		
<small>COPYRIGHT REGAL BELOIT AMERICA, INC. ALL RIGHTS RESERVED. PROPRIETARY AND CONFIDENTIAL INFORMATION - THIS DOCUMENT IS THE PROPERTY OF REGAL BELOIT AMERICA, INC. ("OWNER") AND CONTAINS OWNER'S PROPRIETARY INFORMATION. ANY PERSON, CORPORATION OR OTHER FIRM RECEIVING IT IS DEEMED, BY RECEIVING IT, TO AGREE THAT IT, AND/OR ANY PART OF IT, SHALL NOT BE DISCLOSED TO ANY PERSON, CORPORATION OR OTHER ENTITY, DUPLICATED, AND/OR USED, EXCEPT AS EXPRESSLY APPROVED IN WRITING IN ADVANCE BY OWNER. THIS DOCUMENT SHALL BE RETURNED TO OWNER UPON REQUEST. IT MAY BE SUBJECT TO CERTAIN RESTRICTIONS UNDER APPLICABLE EXPORT CONTROL LAWS AND REGULATIONS.</small>		



DRAWN BY LZ	Regal Beloit America, Inc.	
DATE 01-04-1994		
APPROVED BY GK	DESCRIPTION CONN DIAGRAM-EXTERNAL 3Ø-SINGLE VOLT-MOTOR WITH PROTECTOR	
DATE 01-20-1994	MATERIAL	
REFERENCE	PROCESS/FINISH	
THIRD ANGLE PROJECTION	SIZE A	DRAWING NUMBER EE7300T
		SHEET 1 OF 1

Data Sheet

Date: 20-06-2017
Customer: _____
Attention: _____
Submitted by: FAREEDA DUDEKULA



213TTTS17078

Submittal

Data @ **575 V**

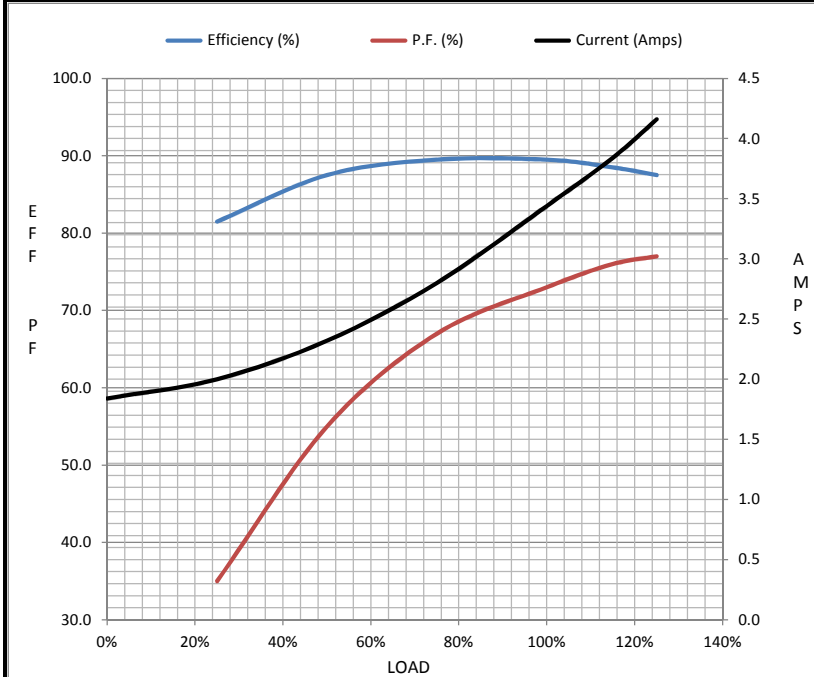
Motor Load Data

Load	0%	25%	50%	75%	100%	115%	125%	LR
Current (Amps)	1.84	2.00	2.32	2.80	3.4	3.8	4.2	25.6
Torque (ft-lb)	0.00	3.3	6.7	10.0	13.5	15.5	17.0	38.0
RPM	1200	1192	1185	1180	1170	1,165	1160	0
Efficiency (%)		81.5	87.5	89.5	89.5	88.5	87.5	
P.F. (%)	6.0	35.0	55.0	67.0	73.0	76.0	77.0	47.0

Motor Speed Data

	LR	Pull-Up	BD	Rated	Idle
Speed (RPM)	0	600	975	1170	1200
Current (Amps)	25.6	22.4	16.0	3.4	1.84
Torque (ft-lb)	38.0	32.0	42.5	13.5	0.00

Information Block				
HP	3.0			
Sync. RPM	1200			
Frame	213			
Enclosure	TEAO			
Construction	TTN			
Voltage	575 V			
Frequency	60 Hz			
Design	B			
LR Code letter	K			
Service Factor	1.15			
Temp Rise @ FL	0 °C			
Duty	CONT			
Ambient	40 °C			
Elevation	1,000 feet			
Rotor/Shaft wk ²	0.80 Lb-Ft ²			
Ref Wdg	K213686 NONE			
Sound Pressure @ 1M	0 dBA			
VFD Rating	VARIABLE 20:1			
Outline Dwg	B-SS85995-725			
Conn. Diag	A-EE7300T			
Additional Specifications:				
0				
365THFS8036				
EQUIV CKT (OHMS / PHASE)				
R1	R2	X1	X2	Xm
3.0270	2.7320	11.6650	12.4030	172.9050



Speed - Torque Curve

