

PRODUCT INFORMATION PACKET

Model No: 213TTTS17077

Catalog No: S507

Kiln Duty Motor, 3 HP, 3 Ph, 60 Hz, 460 V, 1200 RPM, 213T Frame, TEAO



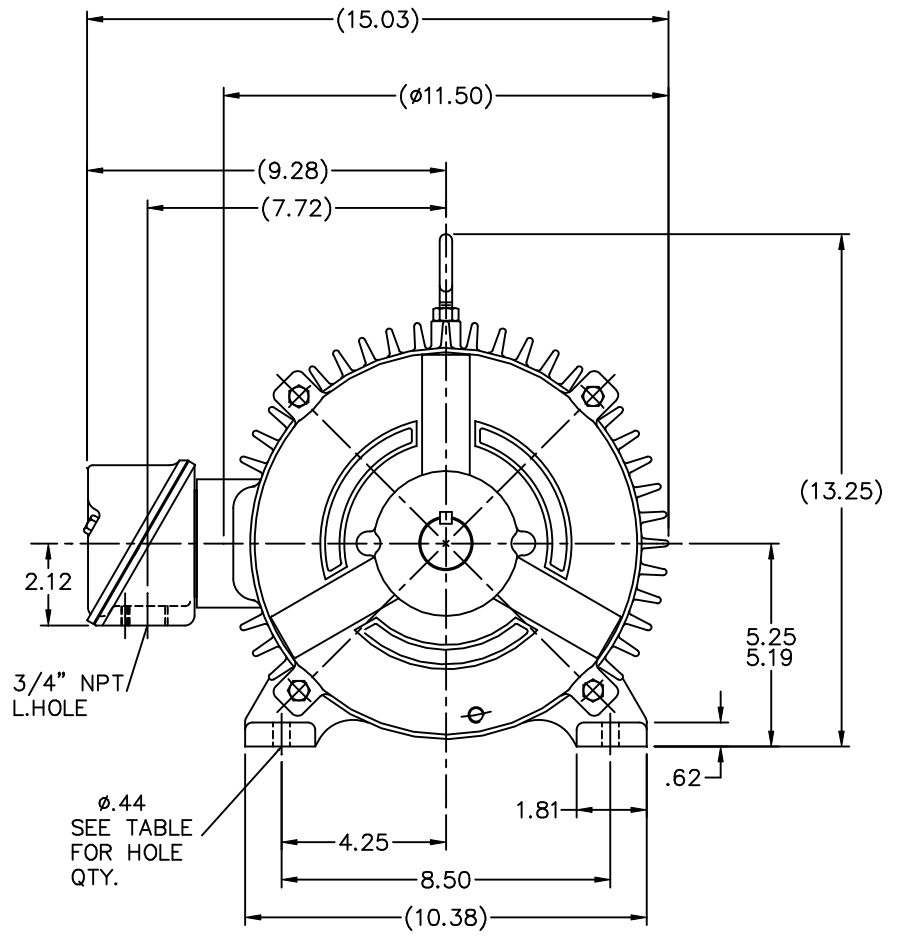
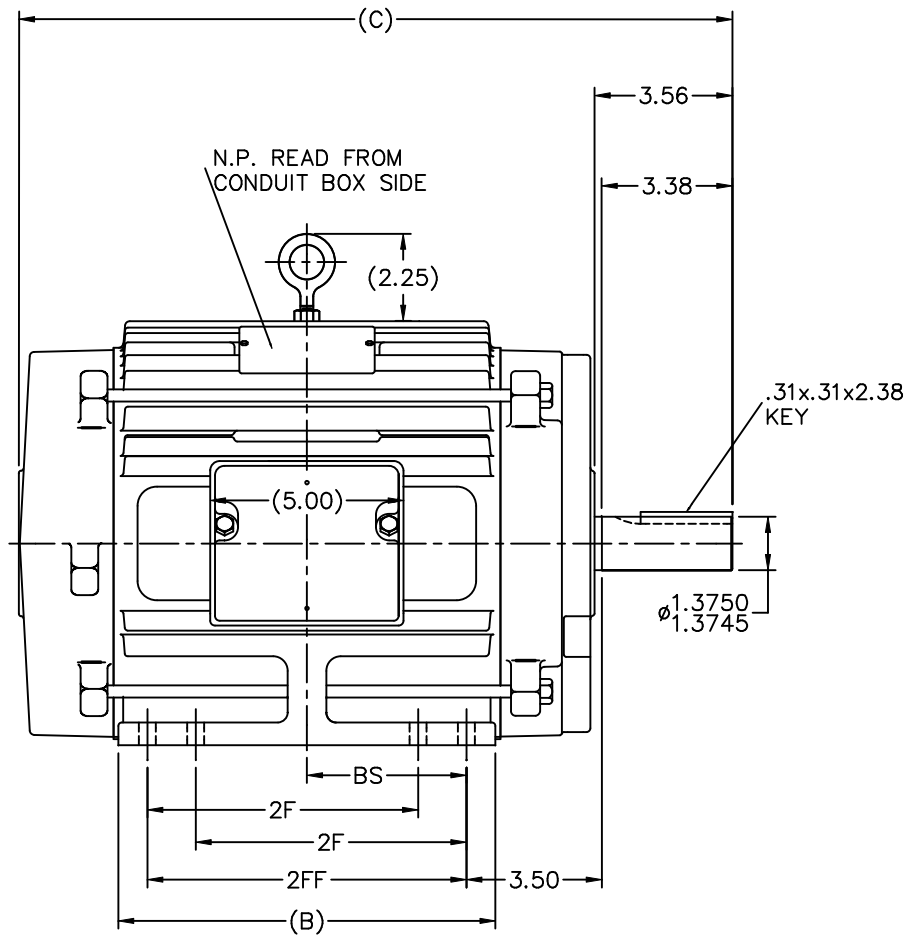
Regal and are trademarks of Regal Rexnord Corporation or one of its affiliated companies.
©2022 Regal Rexnord Corporation, All Rights Reserved. MC017097E

Nameplate Specifications

Output HP	3 Hp	Output KW	2.2 kW
Frequency	60 Hz	Voltage	460 V
Current	4.3 A	Speed	1170 rpm
Service Factor	1.15	Phase	3
Efficiency	89.5 %	Power Factor	73
Duty	Continuous	Insulation Class	H
Design Code	B	KVA Code	K
Frame	213T	Enclosure	Totally Enclosed Air Over
Thermal Protection	No Protection	Ambient Temperature	90 °C
Drive End Bearing Size	6307	Opp Drive End Bearing Size	6206
UL	No	CSA	Y
CE	N	IP Code	54
Number of Speeds	1		

Technical Specifications

Electrical Type	Squirrel Cage Inverter Rated	Starting Method	Line Or Inverter
Poles	6	Rotation	Reversible
Resistance Main	2.985 Ohms	Mounting	Rigid Base
Motor Orientation	Horizontal	Drive End Bearing	Ball / Heat Stabilized
Opp Drive End Bearing	Ball / Heat Stabilized	Frame Material	Cast Iron
Shaft Type	T	Overall Length	15.69 in
Frame Length	7.25 in	Shaft Diameter	1.375 in
Shaft Extension	3.56 in	Assembly/Box Mounting	F1/F2 Capable
Inverter Load	VARIABLE 20:1		
Connection Drawing	A-EE7300T	Outline Drawing	B-SS85995-725



- NOTES:
 1. BOX CAN BE ROTATED IN 90° STEPS.
 2. BOX CAN BE MOUNTED ON OPPOSITE SIDE BY REMOVING BRACKETS AND TURNING FRAME 180°.

(REPLACES A-SS87840)

DASH	FRAME	B	2F	2FF	BS	C	FOOT HOLE QTY.	MOUNTING
725	213T	7.00	-	5.50	2.75	15.69	4	F1 OR F2
875	215T	8.50	-	7.00	3.50	17.19	4	F1 OR F2
875	213/5T	8.50	5.50	7.00	3.50	17.19	8	F1 OR F2
1000	213T	9.75	5.50	8.25	4.12	18.44	8	F1 OR F2
1000	215T	9.75	7.00	8.25	4.12	18.44	8	F1 OR F2

				TOLERANCES UNLESS SPECIFIED		MARATHON ELECTRIC		DRAWN BRH 06-17-1996						
8	CLARIFIED EXT. DIMENSION	MU43615	TAT 02-13-2004	ML	DEC.	INCHES		CHK	KL 06-28-1996					
7	ADDED FOOT HOLE QTY. & MTG. TO TABLE	CN 37322	TAT 01-14-2004	ML	.X	±.1		APPD	ML 06-28-1996					
6	FOOT HOLES WERE 4 NOW 8	CN 29200-450	DRS 05-16-2000	.XX	±.03		TITLE OUTLINE							
5	REVISED CONDUIT BOX	CN 28426	NJS 01-18-2000	.XXX	±.005		210T FR. - TENV - CAST CONDUIT BOX							
4	AD'D '213/15 MAY ONLY HAVE..' NOTE	CN 27400-361	BLR 08-31-1999	.XXXX	±.0005		MAT'L							
NO.	REVISION	BY & DATE	CHK	ANG	±7'30"		FINISH							
THIS DRAWING IN DESIGN AND DETAIL IS OUR PROPERTY AND MUST NOT BE USED EXCEPT IN CONNECTION WITH OUR WORK ALL RIGHTS OF DESIGN AND INVENTION ARE RESERVED THIS IS AN ELECTRONICALLY GENERATED DOCUMENT - DO NOT SCALE THIS PRINT							RFP	CAD FILE ss85995		SIZE	DRAWING NO.	PAGE	OF	REV.
							DIST	LB	B	SS85995	8			8

ERROR: undefined
OFFENDING COMMAND: Pscript_WinNT_

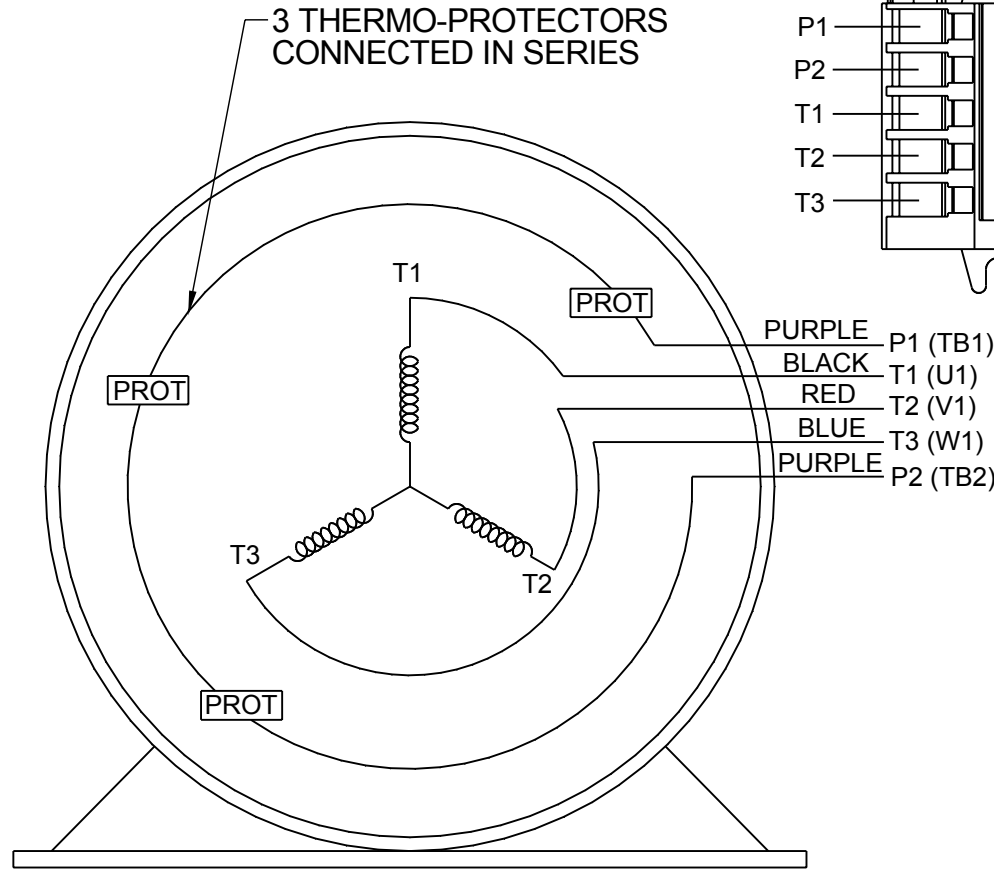
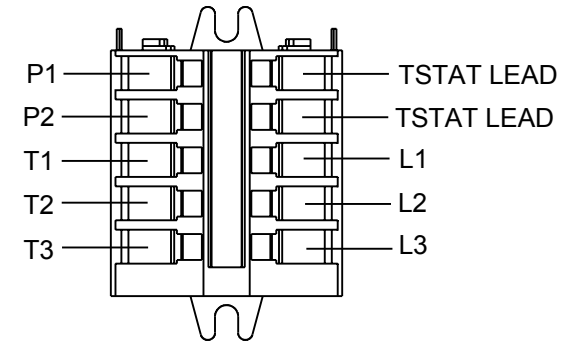
STACK:

**THREE PHASE - SINGLE VOLTAGE
MOTOR - CONDUIT BOX @ 'A'**

**TO REVERSE ROTATION:
INTERCHANGE ANY TWO LINE
LEAD CONNECTIONS**

**NOTE FOR FACTORY USE ONLY:
TO SURGE TEST:
FOR 3 LEAD COMMON CONNECT:
CONNECT P1 TO T1 THEN P2 TO L1
FOR 6 LEAD COMMON CONNECT:
CONNECT P1 TO BOTH T1
THEN P2 TO L1**

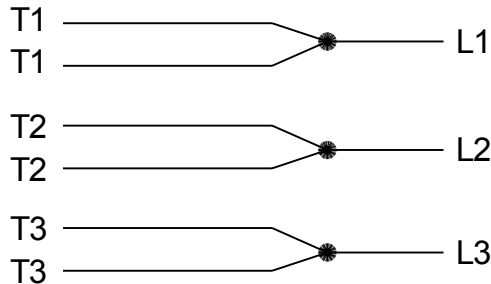
TERMINAL BLOCK WHEN SPECIFIED



PURPLE P1 (TB1)
BLACK T1 (U1)
RED T2 (V1)
BLUE T3 (W1)
PURPLE P2 (TB2)

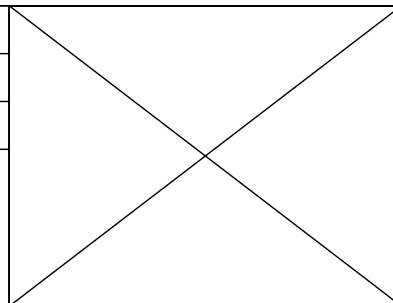
T2BM
T6AW
T6AL
T6Z
T4EG
T4BF
T8A
T6H
T6A
T4AX
T4A
T2A
T2F

**IF MOTOR HAS MULTIPLE
T'S PER LEAD CONNECT
TOGETHER LIKE T'S**



A-9806 DECAL

DRAWING REVISION AB	REVISION BY AJW	DATE 07-17-2015
ECO ECO-0081632	APPROVED BY T.VUE	DATE 07-17-2015
ECO DESCRIPTION REV'D IEC MARKINGS PER IEC-60034-8		
<small>COPYRIGHT REGAL BELOIT AMERICA, INC. ALL RIGHTS RESERVED. PROPRIETARY AND CONFIDENTIAL INFORMATION - THIS DOCUMENT IS THE PROPERTY OF REGAL BELOIT AMERICA, INC. ("OWNER") AND CONTAINS OWNER'S PROPRIETARY INFORMATION. ANY PERSON, CORPORATION OR OTHER FIRM RECEIVING IT IS DEEMED, BY RECEIVING IT, TO AGREE THAT IT, AND/OR ANY PART OF IT, SHALL NOT BE DISCLOSED TO ANY PERSON, CORPORATION OR OTHER ENTITY, DUPLICATED, AND/OR USED, EXCEPT AS EXPRESSLY APPROVED IN WRITING IN ADVANCE BY OWNER. THIS DOCUMENT SHALL BE RETURNED TO OWNER UPON REQUEST. IT MAY BE SUBJECT TO CERTAIN RESTRICTIONS UNDER APPLICABLE EXPORT CONTROL LAWS AND REGULATIONS.</small>		



DRAWN BY LZ
DATE 01-04-1994
APPROVED BY GK
DATE 01-20-1994
REFERENCE
THIRD ANGLE PROJECTION

REGAL ™ Regal Beloit America, Inc.	
DESCRIPTION CONN DIAGRAM-EXTERNAL 3Ø-SINGLE VOLT-MOTOR WITH PROTECTOR	
MATERIAL	PROCESS/FINISH
SIZE A	DRAWING NUMBER EE7300T
SHEET 1 OF 1	

Data Sheet

Date: 6/19/2017

213TTTS17077

Customer: _____



Attention: _____

Submittal

Submitted by: FAREEDA DUDEKULA

Data @ 460 V

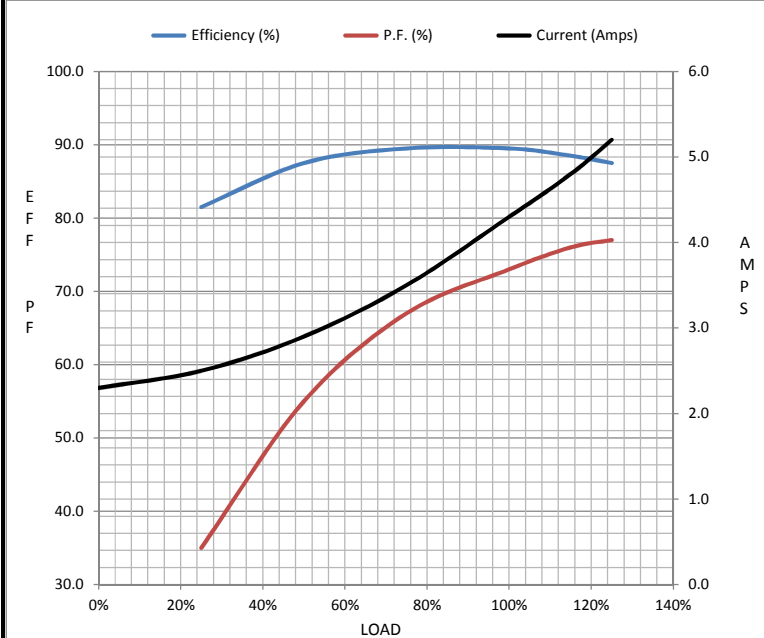
Motor Load Data

Load	0%	25%	50%	75%	100%	115%	125%	LR
Current (Amps)	2.30	2.50	2.90	3.5	4.3	4.8	5.2	32.0
Torque (ft-lb)	0.00	3.3	6.7	10.0	13.5	15.5	17.0	38.0
RPM	1200	1192	1185	1180	1170	1,165	1160	0
Efficiency (%)		81.5	87.5	89.5	89.5	88.5	87.5	
P.F. (%)	6.0	35.0	55.0	67.0	73.0	76.0	77.0	47.0

Motor Speed Data

	LR	Pull-Up	BD	Rated	Idle
Speed (RPM)	0	600	975	1170	1200
Current (Amps)	32.0	28.0	20.0	4.3	2.30
Torque (ft-lb)	38.0	32.0	42.5	13.5	0.00

Information Block				
HP	3.0			
Sync. RPM	1200			
Frame	213			
Enclosure	TEAO			
Construction	TTN			
Voltage	460 V			
Frequency	60 Hz			
Design	B			
LR Code letter	K			
Service Factor	1.15			
Temp Rise @ FL	0 °C			
Duty	CONT			
Ambient	40 °C			
Elevation	1,000 feet			
Rotor/Shaft wk ²	0.80 Lb-Ft ²			
Ref Wdg	K213686 NONE			
Sound Pressure @ 1M	0 dBA			
VFD Rating	VARIABLE 20:1			
Outline Dwg	B-SS85995-725			
Conn. Diag	A-EE7300T			
Additional Specifications:				
0				
0				
EQUIV CKT (OHMS / PHASE)				
R1	R2	X1	X2	Xm
1.9370	1.7480	7.4660	7.9380	110.6600



Speed -Torque Curve

