

PRODUCT INFORMATION PACKET

marathon[®]
Motors

Model No: 213TTGS7304

Catalog No: 213TTGS7304

Explosion Proof Motor, 7.50 & 5 HP, 3 Ph, 60 & 50 Hz, 230/460 & 190/380 V, 3600 & 3000 RPM,
213TC Frame, EPFC

Regal and Marathon are trademarks of Regal Rexnord Corporation or one of its affiliated companies.

©2023 Regal Rexnord Corporation, All Rights Reserved. MC017097E

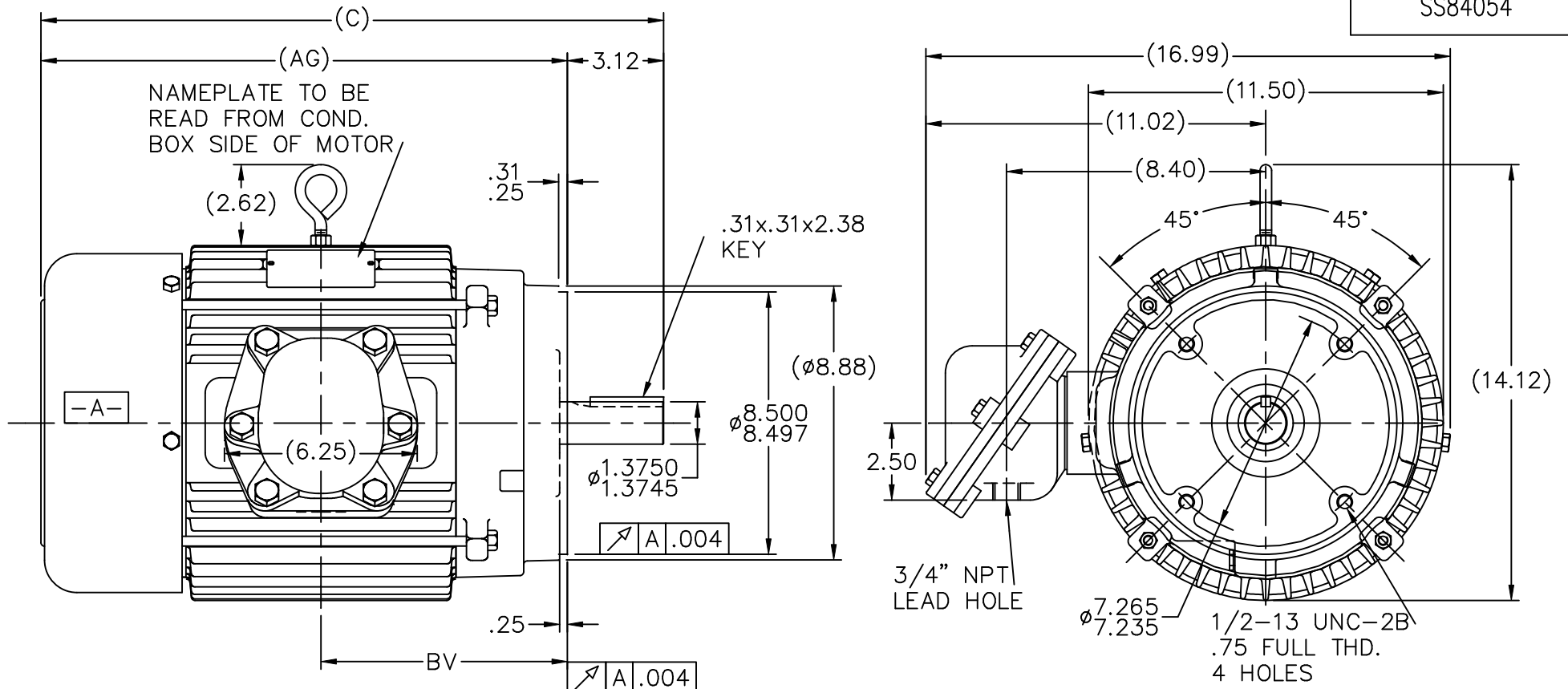
RegalRexnord

Nameplate Specifications

Phase	3	Output HP	7.50 & 5 Hp
Output KW	5.6 & 3.7 kW	Voltage	230/460 & 190/380 V
Speed	3460 & 2865 rpm	Service Factor	1.0 & 1.0
Frame	213TC	Enclosure	Explosion Proof Fan cooled
Thermal Protection	Thermostat	Efficiency	84 & 80.5 %
Ambient Temperature	40 °C	Frequency	60 & 50 Hz
Current	19.8/9.9 & 17/8.5 A	Power Factor	84.2
Duty	Continuous	Insulation Class	B
Design Code	B	KVA Code	H
Drive End Bearing Size	309	Opp Drive End Bearing Size	206
UL	No	CSA	Y
CE	N	IP Code	54
Number of Speeds	1	Hazardous Location	EXP PROOF CL I GR D CL II GR F&G T3B

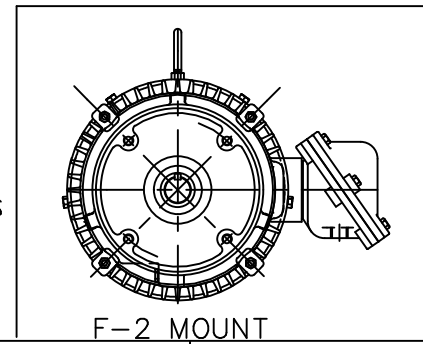
Technical Specifications

Electrical Type	Squirrel Cage Induction Run	Starting Method	Across The Line
Poles	2	Rotation	Reversible
Resistance Main	2.12 Ohms	Mounting	Round
Motor Orientation	Horizontal	Drive End Bearing	Ball
Opp Drive End Bearing	Ball	Frame Material	Cast Iron
Shaft Type	T	Overall Length	19.50 in
Frame Length	7.25 in	Shaft Diameter	1.375 in
Shaft Extension	3.38 in	Assembly/Box Mounting	F1 ONLY
Outline Drawing	A-SS84054-725	Connection Drawing	A-EE7308T



NOTES:

1. BOX CAN BE ROTATED IN 90° STEPS.
2. BOX CAN BE MOUNTED ON OPPOSITE SIDE BY REMOVING BRACKETS AND TURNING FRAME 180° THIS MODIFICATION CAN BE PERFORMED ONLY BY MARATHON ELECTRIC OR BY A FACILITY THAT IS COVERED UNDER UNDERWRITERS LABORATORIES INC.PTKQ,TITLED "MOTOR AND GENERATORS, REBUILT FOR USE IN HAZARDOUS LOCATIONS"



DASH	FR.	C	AG	BV		
725	213T	19.50	16.38	7.25		
875	215T	21.00	17.88	8.00		
1000	215T	22.25	19.13	8.62		

NO.	REVISION	BY & DATE	CHK	ANG	TOLERANCES UNLESS SPECIFIED
10	UPDATED DRAWING	TJW 04/27/2007			
9	ADDED F2 MOUNT AND UPDATED THE NOTE.	ST 2/12/2007	SVL	DEC.	INCHES
8	REDRAWN IN AUTOCAD	TAT 07-06-2004	ML	.X	±.1
7	REMOVED HOLE IN FAN GUARD	CN 31183 TJB 06-08-2001		.XX	±.03
6	CLARIFIED FRAME AND CONDUIT BOX	CN 29200-978 BLR 10-16-2000		.XXX	±.005
5	ADDED EYEBOLT	CN 16783 MRB 12-14-1994		.XXXX	±.0005
					±7'30"

MARATHON ELECTRIC

TITLE OUTLINE
210T FR. - EPFC - C' FACE

MAT'L.

FINISH

DRAWN	KL 03-15-1994
CHK	ML 03-16-1994
APPD	GK 03-16-1994
SCALE	1=5
REF	
FMF	
PREV	

THIS DRAWING IN DESIGN AND DETAIL IS OUR PROPERTY AND MUST NOT BE USED EXCEPT IN CONNECTION WITH OUR WORK ALL RIGHTS OF DESIGN AND INVENTION ARE RESERVED THIS IS AN ELECTRONICALLY GENERATED DOCUMENT - DO NOT SCALE THIS PRINT

RFP	CAD FILE	ss84054	SIZE	DRAWING NO.	PAGE	OF	REV.
DIST	LB		A	SS84054			10

HIGH VOLTAGE



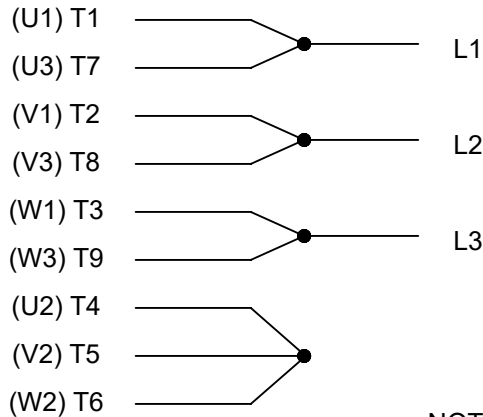
**THREE PHASE
DUAL VOLTAGE MOTOR**

THERMO-PROTECTORS
CONNECTED IN SERIES



**NOTE FOR FACTORY USE ONLY:
TO SURGE TEST FOR COMMON CONNECT:
HIGH VOLT: CONNECT P1 TO T1
THEN P2 TO L1
LOW VOLT: CONNECT P1 TO T1 & T7,
THEN P2 TO L1**

LOW VOLTAGE



VIEW OF TERMINAL END

NOTE: LEAD'S COLOR CAN BE YELLOW OR WHITE FOR MT2 PLANT

DRAWING REVISION T	REVISION BY ZR	DATE 01-14-2019		DRAWN BY SMC	Regal Beloit America, Inc.
ECO ECO-0159915	APPROVED BY DR	DATE 01-15-2019		DATE 05-13-1992	
ECO DESCRIPTION ADDED TERMINAL CONNECTION DIAGRAM				APPROVED BY TB	DESCRIPTION CONN DIAGRAM-INTERNAL
<small>COPYRIGHT REGAL BELOIT AMERICA, INC. ALL RIGHTS RESERVED. PROPRIETARY AND CONFIDENTIAL INFORMATION - THIS DOCUMENT IS THE PROPERTY OF REGAL BELOIT AMERICA, INC. ("OWNER") AND CONTAINS OWNER'S PROPRIETARY INFORMATION. ANY PERSON, CORPORATION OR OTHER FIRM RECEIVING IT IS DEEMED, BY RECEIVING IT, TO AGREE THAT IT, AND/OR ANY PART OF IT, SHALL NOT BE DISCLOSED TO ANY PERSON, CORPORATION OR OTHER ENTITY, DUPLICATED, AND/OR USED, EXCEPT AS EXPRESSLY APPROVED IN WRITING IN ADVANCE BY OWNER. THIS DOCUMENT SHALL BE RETURNED TO OWNER UPON REQUEST. IT MAY BE SUBJECT TO CERTAIN RESTRICTIONS UNDER APPLICABLE EXPORT CONTROL LAWS AND REGULATIONS.</small>				DATE 05-13-1992	3 PHASE - DUAL VOLTAGE MOTOR
			REFERENCE EE7308/EE7300	MATERIAL	PROCESS/FINISH
			THIRD ANGLE PROJECTION	SIZE A	DRAWING NUMBER EE7308T