

PRODUCT INFORMATION PACKET

marathon[®]
Motors

Model No: 213TTGS4076

Catalog No: U042

Other Purpose Motor, 3 & 2 HP, 3 Ph, 60 & 50 Hz, 230/460 & 190/380 V, 1200 & 1000 RPM, 213T Frame,
EPFC

Regal and Marathon are trademarks of Regal Rexnord Corporation or one of its affiliated companies.

©2023 Regal Rexnord Corporation, All Rights Reserved. MC017097E

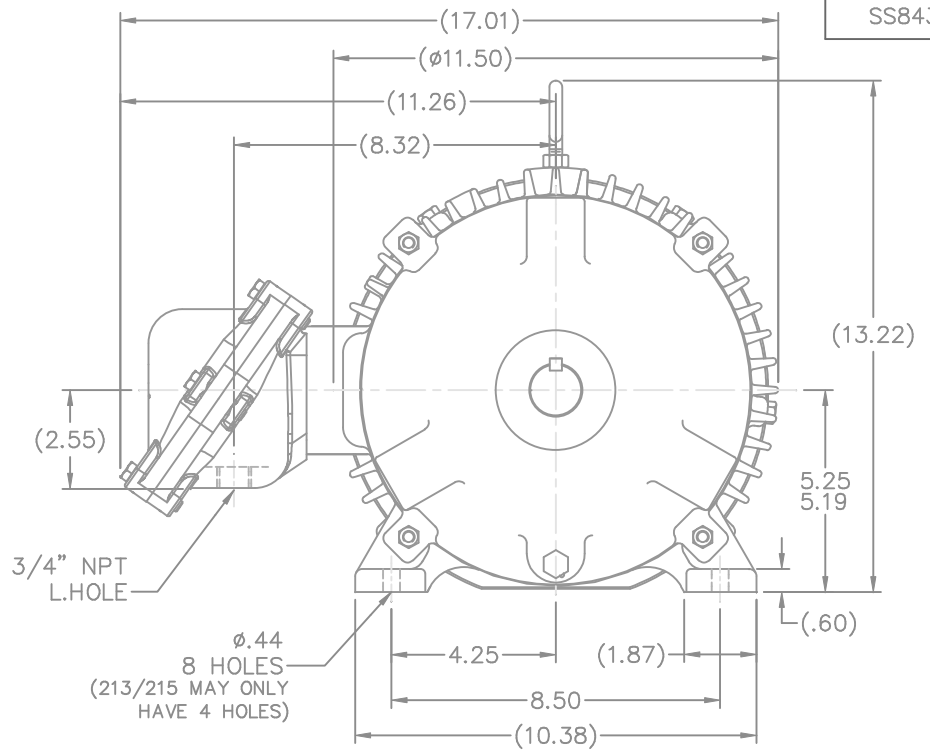
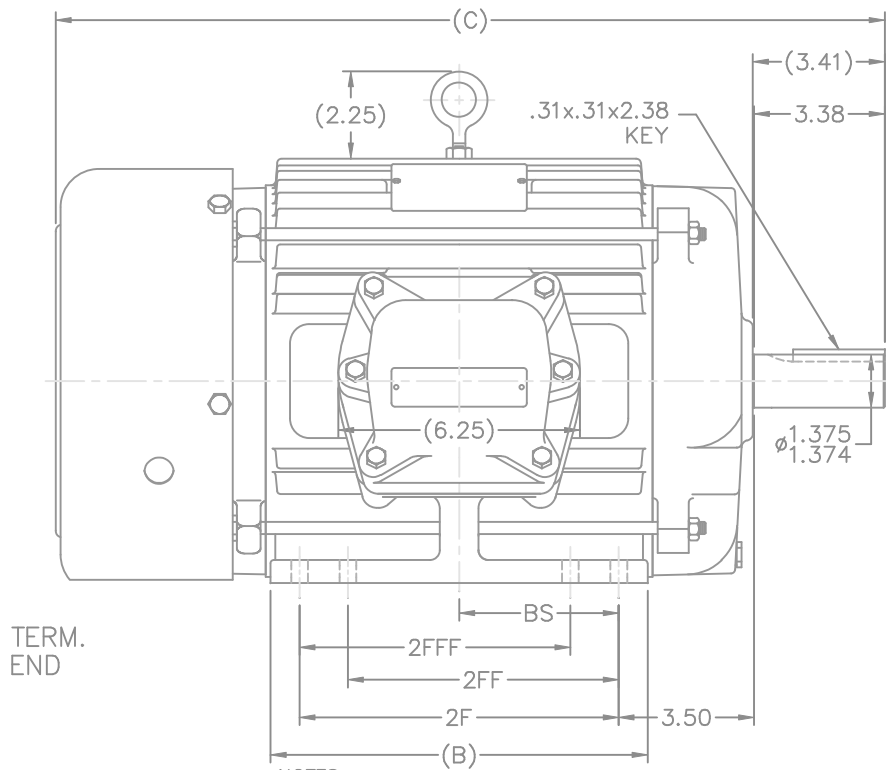
RegalRexnord

Nameplate Specifications

Phase	3	Output HP	3 & 2 Hp
Output KW	2.2 & 1.5 kW	Voltage	230/460 & 190/380 V
Speed	1170 & 975 rpm	Service Factor	1.15 & 1.15
Frame	213T	Enclosure	Explosion Proof Fan cooled
Thermal Protection	No Protection	Efficiency	87.5 & 86.5 %
Ambient Temperature	40 °C	Frequency	60 & 50 Hz
Current	9/4.5 & 7.8/3.9 A	Power Factor	71.5
Duty	Continuous	Insulation Class	F
Design Code	B	KVA Code	K
Drive End Bearing Size	6307	Opp Drive End Bearing Size	6206
UL	Listed	CSA	Y
CE	N	IP Code	54
Number of Speeds	1		

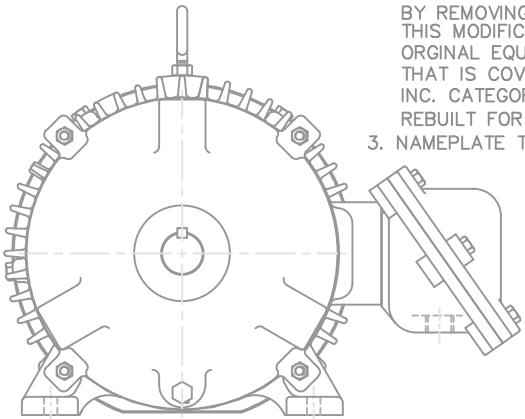
Technical Specifications

Electrical Type	Squirrel Cage Inverter Rated	Starting Method	Line Or Inverter
Poles	6	Rotation	Reversible
Resistance Main	3.1 Ohms	Mounting	Rigid Base
Motor Orientation	Horizontal	Drive End Bearing	Ball
Opp Drive End Bearing	Ball	Frame Material	Cast Iron
Shaft Type	T	Overall Length	19.66 in
Frame Length	8.75 in	Shaft Diameter	1.375 in
Shaft Extension	3.41 in	Assembly/Box Mounting	F1 ONLY
Outline Drawing	B-SS84370-875	Connection Drawing	A-EE7308T



NOTES:

1. CONDUIT BOX CAN BE ROTATED IN 90° STEPS.
2. CONDUIT BOX CAN BE MOUNTED ON OPPOSITE SIDE BY REMOVING BRACKETS AND TURNING FRAME 180°. THIS MODIFICATION CAN BE PERFORMED ONLY BY THE ORIGINAL EQUIPMENT MANUFACTURER, OR BY A FACILITY THAT IS COVERED UNDER UNDERWRITERS LABORATORIES INC. CATEGORY PTKQ, TITLED "MOTORS AND GENERATORS, REBUILT FOR USE IN HAVARDOUS LOCATION".
3. NAMEPLATE TO BE READ FROM CONDUIT BOX SIDE OF MOTOR.



F2 MOUNTING

DASH	FRAME	B	2F	2FF	2FFF	BS	C	
							CAST FAN GUARD	STEEL FAN GUARD
725	213T	7.00	5.50	-	-	2.75	18.16	18.68
875	215T	8.50	7.00	-	-	3.50	19.66	20.18
875	213/5T	8.50	7.00	5.50	5.50	3.50	19.66	20.18
1000	213T	9.75	8.25	5.50	5.50	4.12	20.91	21.43
1000	215T	9.75	8.25	7.00	7.00	4.12	20.91	21.43

9	REVISE FRAME TO C'BOX LOCATION PER PARTS	RWR 07-10-2007		TOLEANCES UNLESS SPECIFIED			DRAWN DT 08-25-1995
8	UPDATED DRAWING	TJW 04-27-2007	ML	DEC.	INCHES		CHK ML 08-29-1995
7	MODIFIED NOTE AS PER CN 40800	TJW 01-10-2007	ML	.X	±.1	APPD GK 08-29-1995	
6	REDRAWN IN AUTOCAD	TAT 06-29-2004	ML	.XX	±.03	SCALE 5=16	
5	REVISED DASH TABLE AND FOOT HOLE DIMENSIONS			.XXX	±.005	TITLE OUTLINE	
	WAS "A" SIZE	CN 27451	MRB 03-25-1999	.XXXX	±.0005	210T FR. - EXP. PR.	
				.XXX	±.0005	MAT'L	
NO.	REVISION	BY & DATE	CHK	ANG	±'730"	FINISH	PREV
THIS DRAWING IN DESIGN AND DETAIL IS OUR PROPERTY AND MUST NOT BE USED EXCEPT IN CONNECTION WITH OUR WORK ALL RIGHTS OF DESIGN AND INVENTION ARE RESERVED THIS IS AN ELECTRONICALLY GENERATED DOCUMENT - DO NOT SCALE THIS PRINT				RFP		CAD FILE ss84370	SIZE B
				DIST	LB		DRAWING NO. SS84370
							PAGE 9
							REV. OF 9

HIGH VOLTAGE



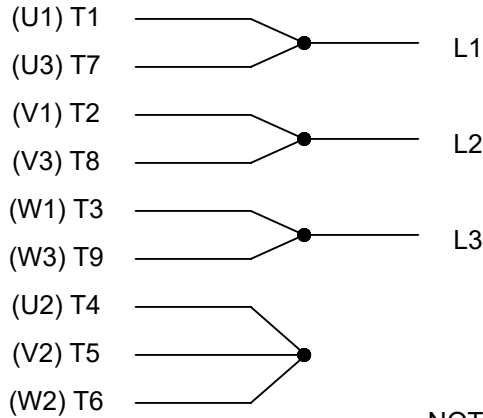
**THREE PHASE
DUAL VOLTAGE MOTOR**

THERMO-PROTECTORS
CONNECTED IN SERIES



**NOTE FOR FACTORY USE ONLY:
TO SURGE TEST FOR COMMON CONNECT:
HIGH VOLT: CONNECT P1 TO T1
THEN P2 TO L1
LOW VOLT: CONNECT P1 TO T1 & T7,
THEN P2 TO L1**

LOW VOLTAGE



VIEW OF TERMINAL END

NOTE: LEAD'S COLOR CAN BE YELLOW OR WHITE FOR MT2 PLANT

DRAWING REVISION T	REVISION BY ZR	DATE 01-14-2019		DRAWN BY SMC	Regal Beloit America, Inc.
ECO ECO-0159915	APPROVED BY DR	DATE 01-15-2019		DATE 05-13-1992	
ECO DESCRIPTION ADDED TERMINAL CONNECTION DIAGRAM				DATE 05-13-1992	REFERENCE EE7308/EE7300
<small>COPYRIGHT REGAL BELOIT AMERICA, INC. ALL RIGHTS RESERVED. PROPRIETARY AND CONFIDENTIAL INFORMATION - THIS DOCUMENT IS THE PROPERTY OF REGAL BELOIT AMERICA, INC. ("OWNER") AND CONTAINS OWNER'S PROPRIETARY INFORMATION. ANY PERSON, CORPORATION OR OTHER FIRM RECEIVING IT IS DEEMED, BY RECEIVING IT, TO AGREE THAT IT, AND/OR ANY PART OF IT, SHALL NOT BE DISCLOSED TO ANY PERSON, CORPORATION OR OTHER ENTITY, DUPLICATED, AND/OR USED, EXCEPT AS EXPRESSLY APPROVED IN WRITING IN ADVANCE BY OWNER. THIS DOCUMENT SHALL BE RETURNED TO OWNER UPON REQUEST. IT MAY BE SUBJECT TO CERTAIN RESTRICTIONS UNDER APPLICABLE EXPORT CONTROL LAWS AND REGULATIONS.</small>			THIRD ANGLE PROJECTION	SIZE A	PROCESS/FINISH
			DRAWING NUMBER EE7308T		SHEET 1 OF 1