

PRODUCT INFORMATION PACKET

marathon[®]
Motors

Model No: 213TTGS4028

Catalog No: C366

Other Purpose Motor, 7.50 & 5 HP, 3 Ph, 60 & 50 Hz, 208-230/460 & 190/380 V, 1800 & 1500 RPM,
213TC Frame, EPFC

Regal and Marathon are trademarks of Regal Rexnord Corporation or one of its affiliated companies.

©2023 Regal Rexnord Corporation, All Rights Reserved. MC017097E

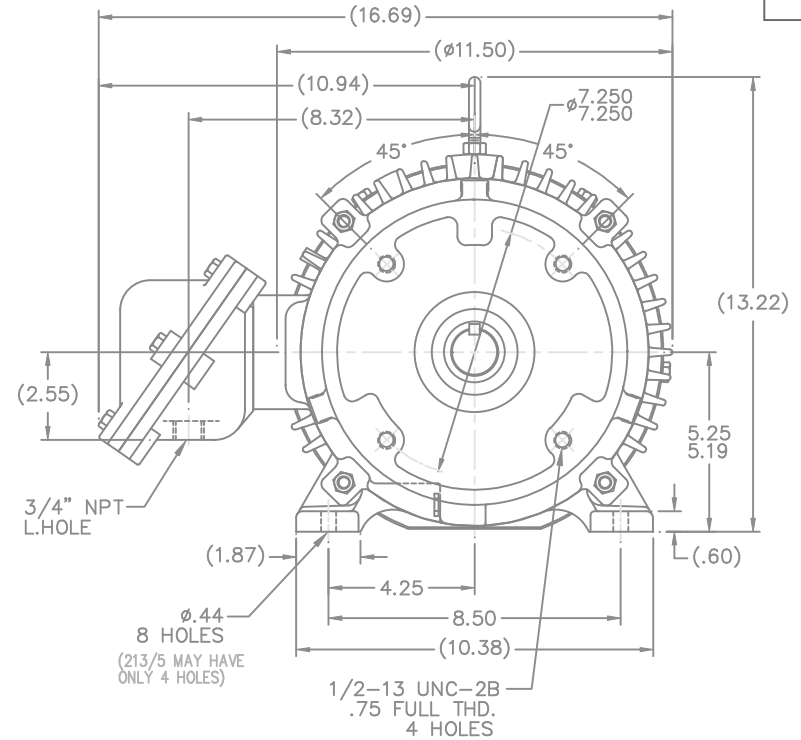
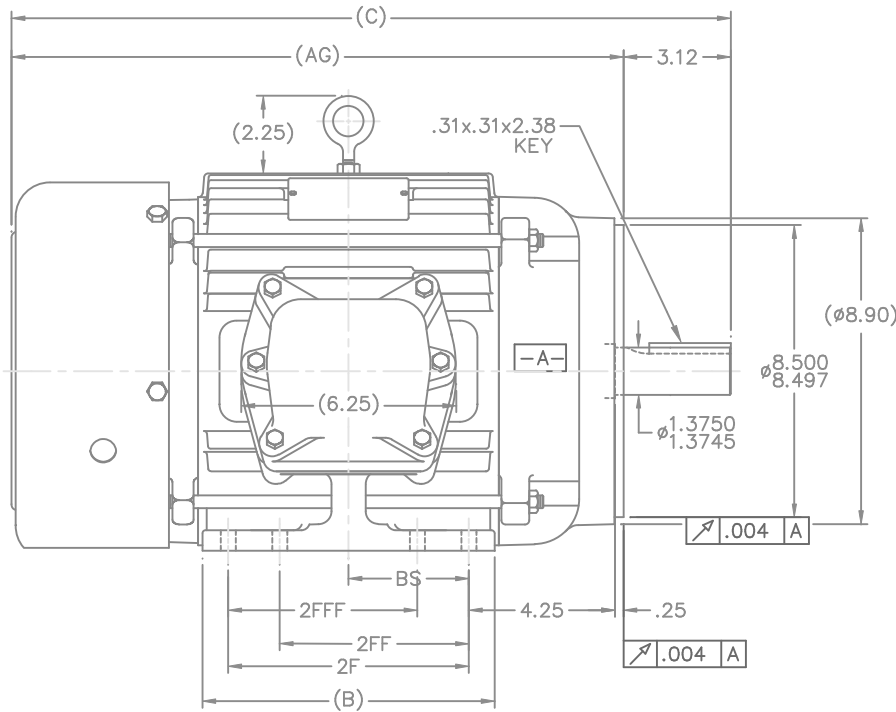
RegalRexnord

Nameplate Specifications

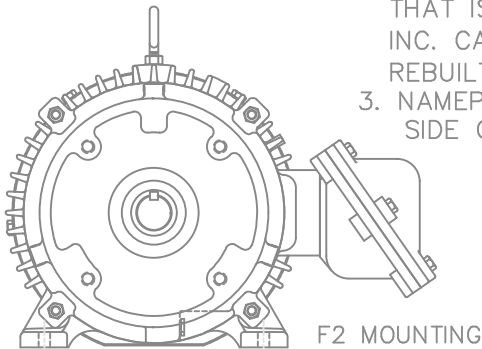
Phase	3	Output HP	7.50 & 5 Hp
Output KW	5.6 & 3.7 kW	Voltage	208-230/460 & 190/380 V
Speed	1760 & 1470 rpm	Service Factor	1.15 & 1.15
Frame	213TC	Enclosure	Explosion Proof Fan cooled
Thermal Protection	No Protection	Efficiency	89.5 & 89.5 %
Ambient Temperature	40 °C	Frequency	60 & 50 Hz
Current	22-20/10 & 17/8.5 A	Power Factor	78
Duty	Continuous	Insulation Class	F
Design Code	B	KVA Code	H
Drive End Bearing Size	6309	Opp Drive End Bearing Size	6206
UL	Listed	CSA	Y
CE	N	IP Code	54
Number of Speeds	1		

Technical Specifications

Electrical Type	Squirrel Cage Inverter Rated	Starting Method	Line Or Inverter
Poles	4	Rotation	Reversible
Resistance Main	1.56 Ohms	Mounting	Rigid Base
Motor Orientation	Horizontal	Drive End Bearing	Ball
Opp Drive End Bearing	Ball	Frame Material	Cast Iron
Shaft Type	T	Overall Length	20.40 in
Frame Length	8.75 in	Shaft Diameter	1.375 in
Shaft Extension	3.38 in	Assembly/Box Mounting	F1 ONLY
Outline Drawing	B-SS84063-875	Connection Drawing	A-EE7308T



- NOTES:
1. CONDUIT BOX CAN BE ROTATED IN 90° STEPS.
 - 2- CONDUIT BOX CAN BE MOUNTED ON OPPOSITE SIDE BY REMOVING BRACKETS AND TURNING FRAME 180°. THIS MODIFICATION CAN BE PERFORMED ONLY BY THE ORIGINAL EQUIPMENT MANUFACTURER, OR BY A FACILITY THAT IS COVERED UNDER UNDERWRITERS LABORATORIES INC. CATEGORY PTKQ, TITLED "MOTORS AND GENERATORS, REBUILT FOR USE IN HAZARDOUS LOCATIONS".
 3. NAMEPLATE TO BE READ FROM CONDUIT BOX SIDE OF MOTOR.

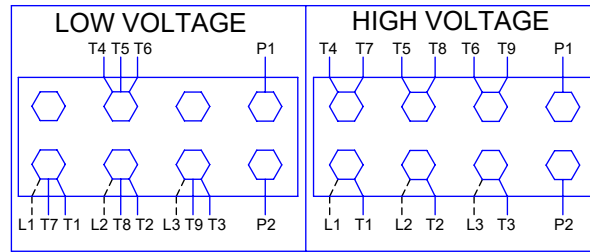
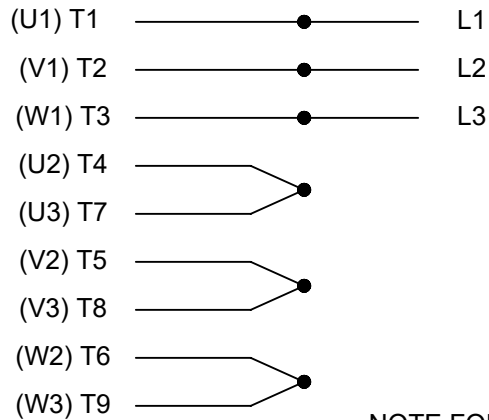


DASH	FRAME	B	2F	2FF	2FFF	BS	CAST FAN GUARD		STEEL FAN GUARD	
							C	AG	C	AG
725	213TC	7.00	5.50	-	-	2.75	18.90	15.78	19.42	16.30
875	215TC	8.50	7.00	-	-	3.50	20.40	17.28	20.92	17.80
875	213/5TC	8.50	7.00	5.50	5.50	3.50	20.40	17.28	20.92	17.80
1000	213TC	9.75	8.25	5.50	5.50	4.12	21.65	18.53	22.17	19.05
1000	215TC	9.75	8.25	7.00	7.00	4.12	21.65	18.53	22.17	19.05

NO.	REVISION	BY & DATE	CHK	ANG	TOLERANCES UNLESS SPECIFIED	FINISH	NO.	DATE	BY	CHK
10	UPDATED DRAWING	TJW 04/27/2007								
9	REVISED CONDUIT BOX NOTE PER CN40800	SVL 04/16/2007								
8	ADD THE 'F2' VIEW OF C'BOX MTG. MU50457	RWR 04/14/2004			.XX ±.1					
7	REVISE DASH TABLE AND FOOT HOLE DIMENSIONS				.XX ±.03					
	IT WAS 'A' SIZE CN27451	MRB 04/22/1999	ML	.XXX ±.005						
6	REVISED D.E. BRACKET	MH 02/27/1998	ML	.XXXX ±.0005						
			CHK	ANG ±7'30"						
			RFP							
			DIST	LB						

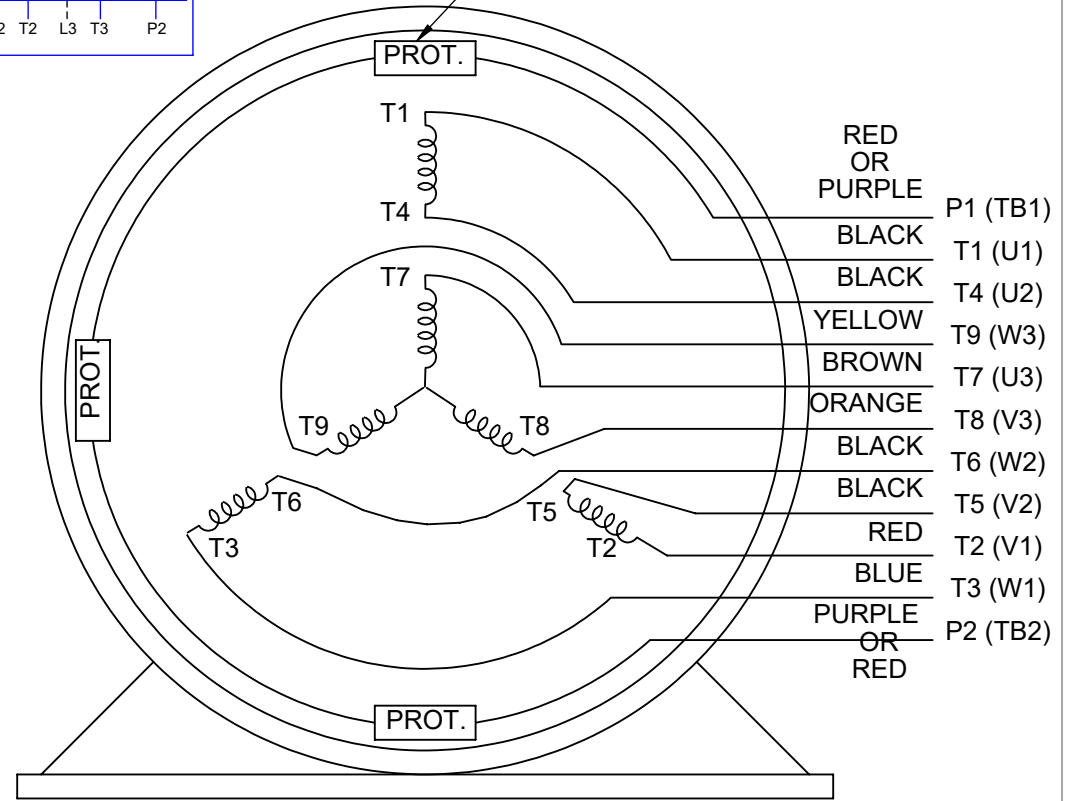
		DRAWN BH 02/23/1996 CHK ML 02/26/1998 APPD GK 02/26/1998 SCALE 5=18 REF FMF PREV
TITLE OUTLINE 210TC FR. -EPFC -'C'FACE	CAD FILE ss84063	SIZE B DRAWING NO. SS84063 PAGE 1 OF 1 REV. 10

HIGH VOLTAGE



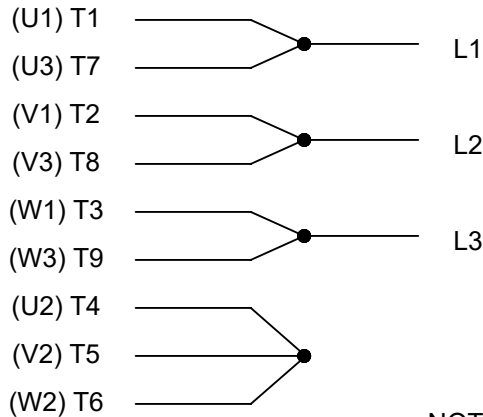
**THREE PHASE
DUAL VOLTAGE MOTOR**

THERMO-PROTECTORS
CONNECTED IN SERIES



NOTE FOR FACTORY USE ONLY:
TO SURGE TEST FOR COMMON CONNECT:
HIGH VOLT: CONNECT P1 TO T1
THEN P2 TO L1
LOW VOLT: CONNECT P1 TO T1 & T7,
THEN P2 TO L1

LOW VOLTAGE



VIEW OF TERMINAL END

NOTE: LEAD'S COLOR CAN BE YELLOW OR WHITE FOR MT2 PLANT

DRAWING REVISION T	REVISION BY ZR	DATE 01-14-2019		DRAWN BY SMC	Regal Beloit America, Inc.
ECO ECO-0159915	APPROVED BY DR	DATE 01-15-2019		DATE 05-13-1992	
ECO DESCRIPTION ADDED TERMINAL CONNECTION DIAGRAM				APPROVED BY TB	DESCRIPTION CONN DIAGRAM-INTERNAL 3 PHASE - DUAL VOLTAGE MOTOR
<small>COPYRIGHT REGAL BELOIT AMERICA, INC. ALL RIGHTS RESERVED. PROPRIETARY AND CONFIDENTIAL INFORMATION - THIS DOCUMENT IS THE PROPERTY OF REGAL BELOIT AMERICA, INC. ("OWNER") AND CONTAINS OWNER'S PROPRIETARY INFORMATION. ANY PERSON, CORPORATION OR OTHER FIRM RECEIVING IT IS DEEMED, BY RECEIVING IT, TO AGREE THAT IT, AND/OR ANY PART OF IT, SHALL NOT BE DISCLOSED TO ANY PERSON, CORPORATION OR OTHER ENTITY, DUPLICATED, AND/OR USED, EXCEPT AS EXPRESSLY APPROVED IN WRITING IN ADVANCE BY OWNER. THIS DOCUMENT SHALL BE RETURNED TO OWNER UPON REQUEST. IT MAY BE SUBJECT TO CERTAIN RESTRICTIONS UNDER APPLICABLE EXPORT CONTROL LAWS AND REGULATIONS.</small>				DATE 05-13-1992	MATERIAL
			REFERENCE EE7308/EE7300	SIZE A	DRAWING NUMBER EE7308T