

PRODUCT INFORMATION PACKET

marathon®
Motors

Model No: 213TTGN16506
Catalog No: 213TTGN16506
7 1/2,3600,EPFC,213T,3/60/460

Regal and Marathon are trademarks of Regal Rexnord Corporation or one of its affiliated companies.
©2024 Regal Rexnord Corporation, All Rights Reserved. MC017097E

RegalRexnord



Nameplate Specifications

Phase	3	Output HP	7.50 Hp
Output KW	5.6 kW	Voltage	460 V
Speed	3530 rpm	Service Factor	1.15
Frame	213T	Enclosure	Explosion Proof Fan cooled
Thermal Protection	Thermostat	Efficiency	90.2 %
Ambient Temperature	40 °C	Frequency	60 Hz
Current	9.5 A	Power Factor	86
Duty	Continuous	Insulation Class	F
Design Code	B	KVA Code	H
Drive End Bearing Size	307	Opp Drive End Bearing Size	208
UL	No	CSA	N
CE	N	IP Code	54
Number of Speeds	1	Hazardous Location	EXP PROOF CL I GR D T3B

Technical Specifications

Electrical Type	Squirrel Cage Inverter Rated	Starting Method	Line Or Inverter
Poles	2	Rotation	Reversible
Resistance Main	1.15 Ohms	Mounting	Rigid Base
Motor Orientation	Horizontal	Drive End Bearing	Ball
Opp Drive End Bearing	Ball	Frame Material	Cast Iron
Shaft Type	T	Assembly/Box Mounting	F1 ONLY
Outline Drawing	037660-912	Connection Drawing	A-EE7300EU

This is an uncontrolled document once printed or downloaded and is subject to change without notice. Date Created:09/07/2024

4

3

2

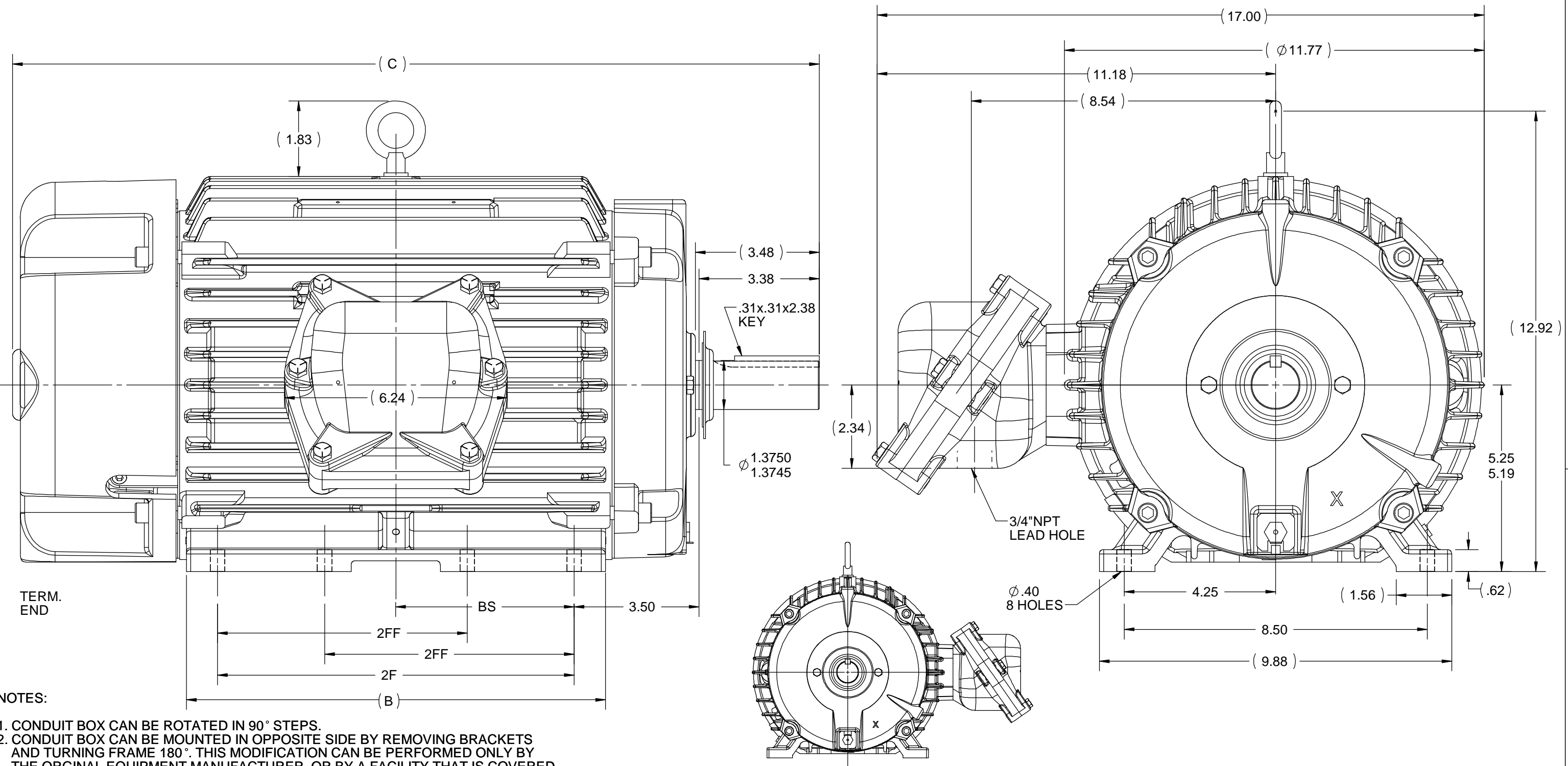
1

B

B

A

A



TERM.
END

NOTES:

1. CONDUIT BOX CAN BE ROTATED IN 90° STEPS.
2. CONDUIT BOX CAN BE MOUNTED IN OPPOSITE SIDE BY REMOVING BRACKETS AND TURNING FRAME 180°. THIS MODIFICATION CAN BE PERFORMED ONLY BY THE ORIGINAL EQUIPMENT MANUFACTURER, OR BY A FACILITY THAT IS COVERED UNDER UNDERWRITERS LABORATORIES INC. CATEGORY PTKQ, TITLED "MOTOR AND GENERATORS, REBUILT FOR USE IN HAZARDOUS LOCATION".
3. NAMEPLATE TO BE READ FROM CONDUIT BOX SIDE OF MOTOR.

F2 MOUNTING

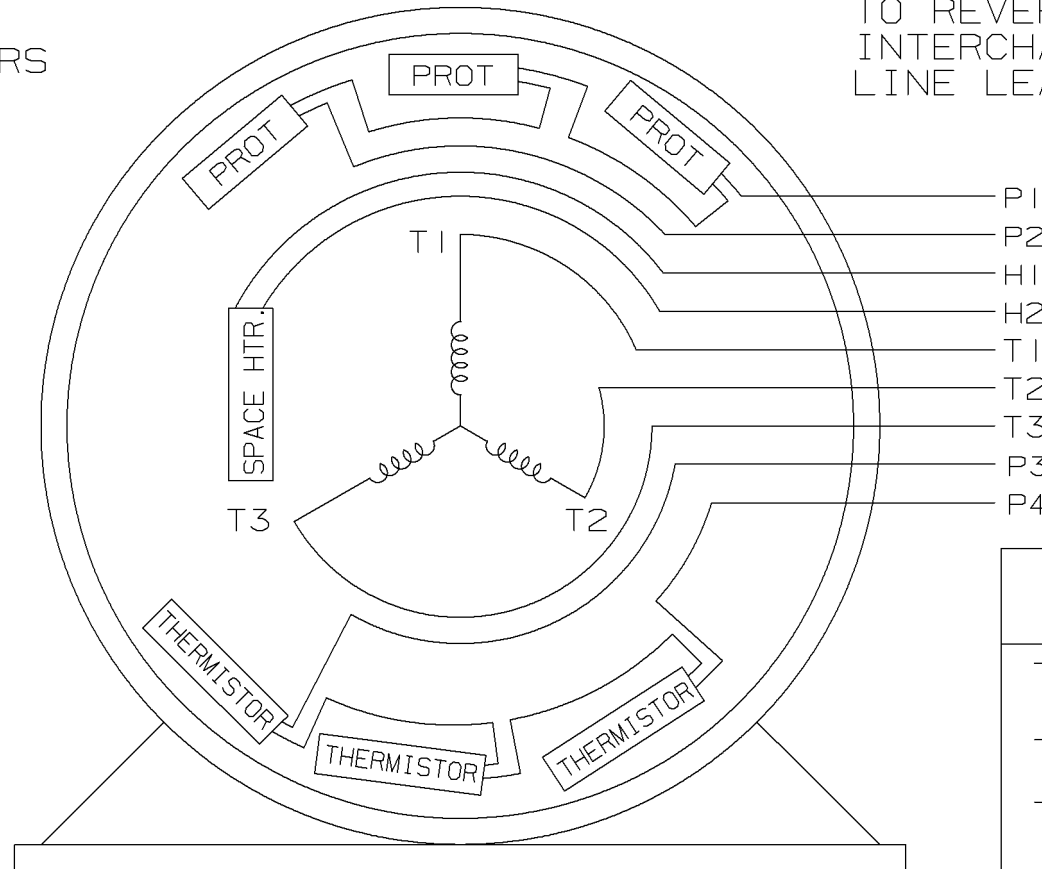
1212	215	22.63	11.76	10	7	5
912	213/215	19.63	8.63	7	5.5	3.5
DASH	FRAME	C	B	2F	2FF	BS

DRAWING REVISION G	REVISION BY MVG	DATE 02/08/2019	TOLERANCES UNLESS OTHERWISE SPECIFIED: DEC. INCH [mm] ANGLE .X ±0.1 [±2.5] ±7° 30" .XX ±0.03 [±0.76] .XXX ±0.005 [±0.127] .XXXX ±0.0005 [±0.0127]	DRAWN BY AK 10/28/2009	REGAL ™ Regal Beloit America, Inc.
ECO ECO-0139404	APPROVED BY SR	DATE 02/08/2019	REMOVE BURRS & BREAK SHARP EDGES: .003/.015 [.076/.381] X 45° CORNER FILLETS: R.02 [.51] MACHINED SURFACES: 200 INCH/mm 5.1 mm SHOWN IN [BRACKETS]	DATE	
ECO DESCRIPTION OUTLINE UPDATED AS PER ECR-0149056 COPYRIGHT REGAL BELOIT AMERICA, INC. ALL RIGHTS RESERVED. PROPRIETARY AND CONFIDENTIAL INFORMATION - THIS DOCUMENT IS THE PROPERTY OF REGAL BELOIT AMERICA, INC. ("OWNER") AND CONTAINS OWNER'S PROPRIETARY INFORMATION. ANY PERSON, CORPORATION OR OTHER FIRM RECEIVING IT IS DEEMED, BY RECEIVING IT, TO AGREE THAT IT, AND/OR ANY PART OF IT, SHALL NOT BE DISCLOSED TO ANY PERSON, CORPORATION OR OTHER ENTITY, DUPLICATED, AND/OR USED, EXCEPT AS EXPRESSLY APPROVED IN WRITING IN ADVANCE BY OWNER. THIS DOCUMENT SHALL BE RETURNED TO OWNER UPON REQUEST. IT MAY BE SUBJECT TO CERTAIN RESTRICTIONS UNDER APPLICABLE EXPORT CONTROL LAWS AND REGULATIONS.				APPROVED BY	DESCRIPTION OUTLINE 210 FR. - EPFC
				DATE	MATERIAL
				REFERENCE SS84370	PROCESS/FINISH
				THIRD ANGLE PROJECTION	SIZE B
				DRAWING NUMBER 037660	SHEET 1 OF 1

P1 AND P2 PROTECTORS
TO VOLTAGE CONTROL

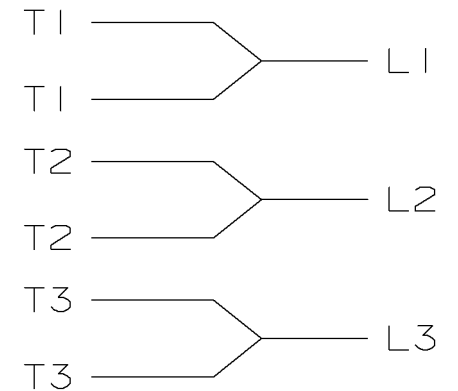
P3 AND P4 ARE
THERMISTOR LEADS

TO REVERSE ROTATION:
INTERCHANGE ANY TWO
LINE LEAD CONNECTIONS.



VIEW OF TERMINAL END

IF MOTOR OR GEN.
HAS 6 LEADS



A-9806 DECAL

				✓ MAX. SURFACE ROUGHNESS UNLESS NOTED OTHERWISE	UNLESS OTHERWISE SPECIFIED DIMENSIONS ARE IN INCHES TOL. ON XX± .02 XXX± .005 XXXX± .0005 ANGLES± 7"30"		
				MATL SPEC			DRAWN BY DT 11-15-1995
				FINISH	MARATHON ELECTRIC		CHKD BY ML 11-15-1995
1 11-17-1995		NEW DRAWING		DT	WAUSAU, WISCONSIN 54401		APPD BY TB 11-16-1995
REV	DATE	CHANGE	NAME	PART NAME CONNECTION DIAGRAM SINGLE VOLT - 3Ø MOTOR			DRWG NO A- EE7300EU

SHOP BOOK

PURCHASED

DISTRIBUTION - WA - LB - WP - LM - BR

CADD FILE NO.

EE7300EU