

# PRODUCT INFORMATION PACKET

Model No: 213TTFWD16036

Catalog No: C391B

XRI® General Purpose General Purpose Motor, 7.50 HP, 3 Ph, 60 Hz, 575 V, 1800 RPM, 213TC Frame, TEFC



Regal and Marathon are trademarks of Regal Rexnord Corporation or one of its affiliated companies.  
©2022 Regal Rexnord Corporation, All Rights Reserved. MC017097E

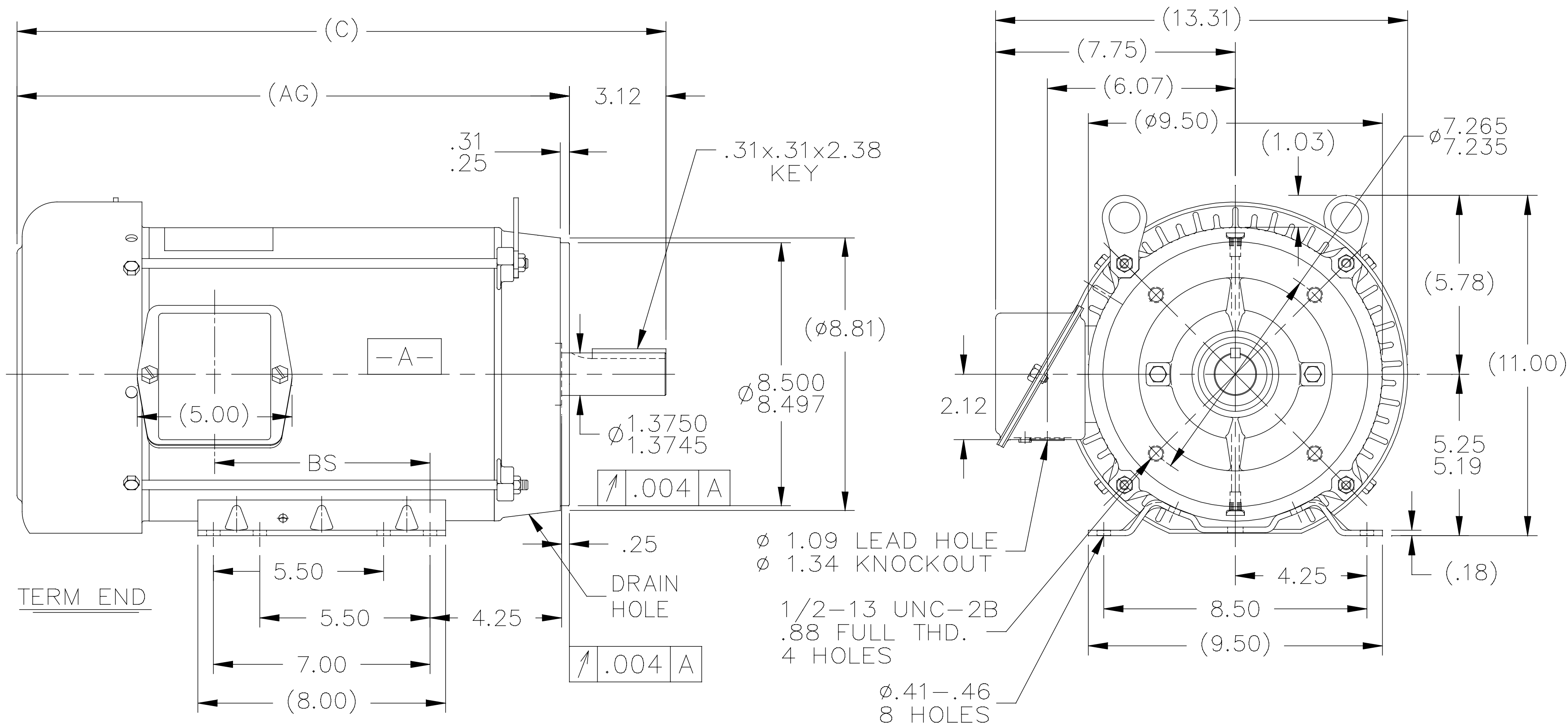
### Nameplate Specifications

Output HP	<b>7.50 Hp</b>	Output KW	<b>5.6 kW</b>
Frequency	<b>60 Hz</b>	Voltage	<b>575 V</b>
Current	<b>7.9 A</b>	Speed	<b>1765 rpm</b>
Service Factor	<b>1.15</b>	Phase	<b>3</b>
Efficiency	<b>91.7 %</b>	Power Factor	<b>78.3</b>
Duty	<b>Continuous</b>	Insulation Class	<b>F</b>
Design Code	<b>B</b>	KVA Code	<b>H</b>
Frame	<b>213TC</b>	Enclosure	<b>Totally Enclosed Fan Cooled</b>
Thermal Protection	<b>No Protection</b>	Ambient Temperature	<b>40 °C</b>
Drive End Bearing Size	<b>6309</b>	Opp Drive End Bearing Size	<b>6206</b>
UL	<b>Recognized</b>	CSA	<b>Y</b>
CE	<b>Y</b>	IP Code	<b>43</b>
Number of Speeds	<b>1</b>		

### Technical Specifications

Electrical Type	<b>Squirrel Cage Induction Run</b>	Starting Method	<b>Across The Line</b>
Poles	<b>4</b>	Rotation	<b>Reversible</b>
Resistance Main	<b>1.18 Ohms</b>	Mounting	<b>Rigid Base</b>
Motor Orientation	<b>Horizontal Or Up Or Down</b>	Drive End Bearing	<b>Ball</b>
Opp Drive End Bearing	<b>Ball</b>	Frame Material	<b>Rolled Steel</b>
Shaft Type	<b>T</b>	Overall Length	<b>19.47 in</b>
Frame Length	<b>9.65 in</b>	Shaft Diameter	<b>1.375 in</b>
Shaft Extension	<b>3.12 in</b>	Assembly/Box Mounting	<b>F1/F2 CAPABLE</b>
Outline Drawing	<b>SS88652-965</b>	Connection Drawing	<b>005102.01</b>

SS88652



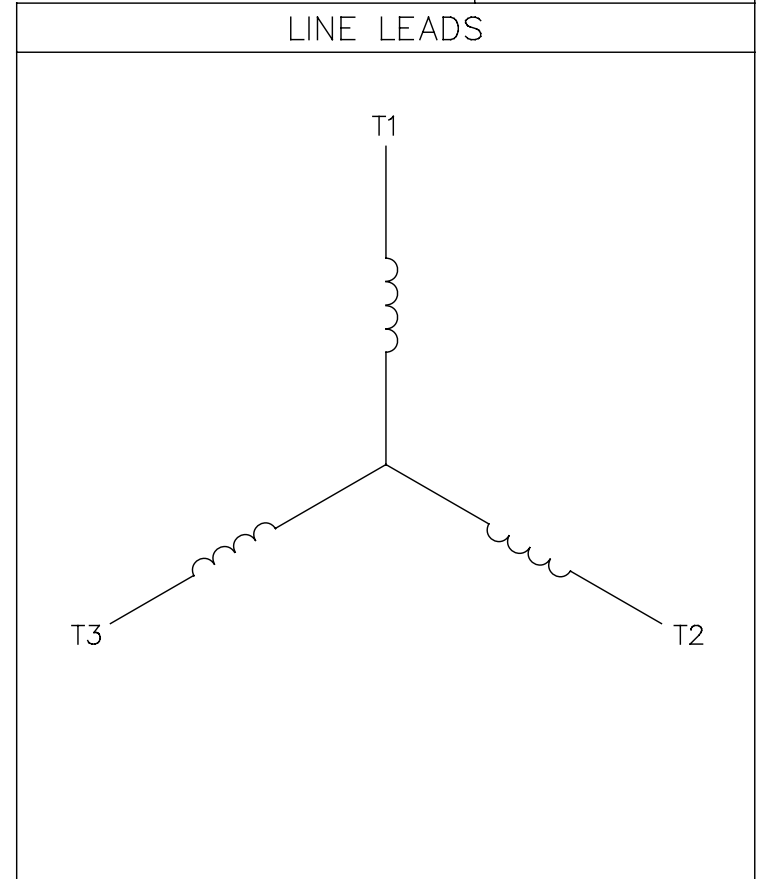
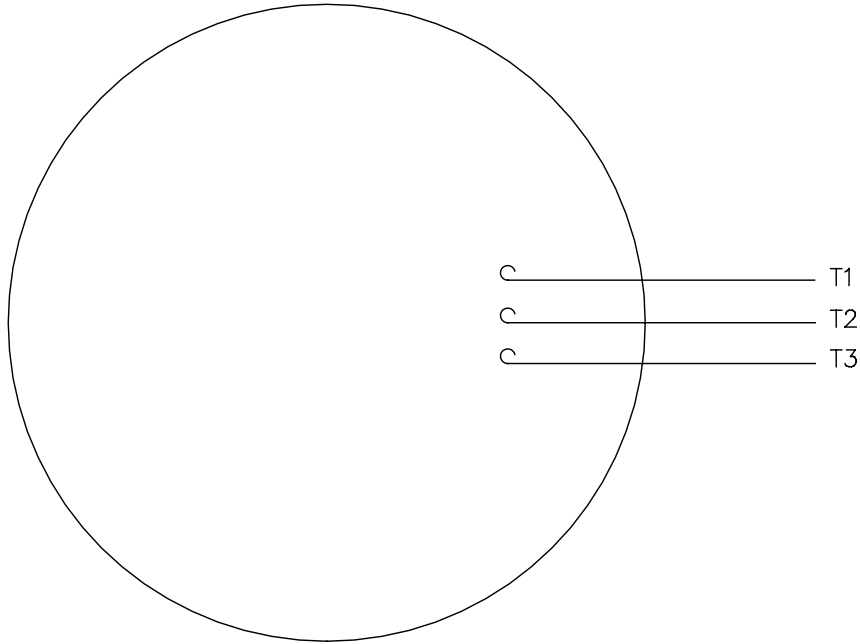
- NOTES:
1. NAMEPLATE TO BE READ FROM C'BOX SIDE OF MOTOR.
  2. BOX CAN BE MOUNTED IN 90° STEPS.
  3. BOX CAN BE MOUNTED ON OPPOSITE SIDE BY REMOVING BRACKETS AND TURNING FRAME 180° (EXCEPT AS NOTED.)
  4. BASE IS REMOVABLE.
  5. PROVISIONS ONLY FOR DRIP COVER.

DASH	FR.	C	AG	BS	MOUNTING
965	213T	19.47	16.35	5.43	
1115	213/15T	20.97	17.85	6.93	
1240	213/15T	22.22	19.10	8.18	F1 ONLY

NO.	REVISION	BY & DATE	CHK	TOLERANCES UNLESS SPECIFIED		REGAL™ Regal Beloit America, Inc.	DRAWN NJS 05-01-2002			
				DEC.	INCHES					
5	TITLE BLOCK LOGO CHANGE PER ECO-0078542	MDV 06/09/2015					CHK ML 05-02-2002			
4	UPDATED DRAWING	TJW 05/04/2007	.X	±.1			APPD DR 05-02-2002			
3	RELOCATED DRAIN HOLE CN 35571	DRS 12-02-2002	ML	.XX	±.03	TITLE OUTLINE - TEFC	SCALE 1=5			
2	ADDED DRAIN HOLE CN 31828	MSG 09-23-2002		.XXX	±.005	210T FR. - BB - TS - R/S - C'FACE	REF			
1	NEW DRAWING MU41351	NJS 05-03-2002	DR	.XXXX	±.0005	MAT'L.	FMF			
				ANG	±7'30"	FINISH	PREV			
THIS DRAWING IN DESIGN AND DETAIL IS OUR PROPERTY AND MUST NOT BE USED EXCEPT IN CONNECTION WITH OUR WORK ALL RIGHTS OF DESIGN AND INVENTION ARE RESERVED THIS IS AN ELECTRONICALLY GENERATED DOCUMENT - DO NOT SCALE THIS PRINT			RFP	CAD FILE ss88652			SIZE A	DRAWING NO. SS88652	PAGE OF	REV. 5
			DIST LB							

005102-01

VIEW FROM OUTSIDE OF MOTOR AT SWITCH END.



CONNECT LEADS AS FOLLOWS  
FOR FOUR CONDUCTOR CORD ( )

CORD	L1 (RED)	L2 (WHITE)	L3 (BLACK)	(GREEN)
MOTOR	T1	T2	T3	GROUND

				TOLERANCES UNLESS SPECIFIED		<b>Regal Beloit America, Inc.</b>		DRAWN JRW 9/11/75			
				DEC.	INCHES			CHK			
				.X	±.1			APPD JCW 9/11/75			
08	UPDATED TO REGAL LOGO	SAJ 06/26/15	AJY	.XX	±.01	TITLE EXTERNAL WIRING DIAGRAM TYPE "T" W/O PROTECTOR		SCALE 1=1			
07	UPDATED TO CURRENT STANDARDS	DBT 5/30/97		.XXX	±.005			REF W-T6343-6			
06	REDRAWN ON CAD; ADDED DECAL NUMBER	SAW 1/24/95		.XXXX	±.0005			FMF 6T17FB7			
NO.	REVISION	BY & DATE	CHK	ANG	±1/2"	FINISH		PREV			
THIS DRAWING IN DESIGN AND DETAIL IS OUR PROPERTY AND MUST NOT BE USED EXCEPT IN CONNECTION WITH OUR WORK ALL RIGHTS OF DESIGN AND INVENTION ARE RESERVED THIS IS AN ELECTRONICALLY GENERATED DOCUMENT - DO NOT SCALE THIS PRINT				RFP	5/1/02	CAD FILE 00510201		SIZE	DRAWING NO.		REV.
				DIST BRF-NLV		A	005102-01		08		



P.O. BOX 8003  
WAUSAU, WI 54401-8003  
PH. 715-675-3311

DATA VOLTS: 460

**CERTIFICATION DATA SHEET**

CUSTOMER: \_\_\_\_\_ CUSTOMER P.O. #: \_\_\_\_\_  
 ORDER #: \_\_\_\_\_ REFERENCE MODEL #: 213TTFWD16036  
 CONN. DIAGRAM: 005102.01 CAT #: C391B  
 OUTLINE: SS88652-965 CUSTOMER PART #: \_\_\_\_\_  
 WINDING: K2134279 R1 3 MOUNTING: F1/F2 CAPABLE  
 SPEED: \_\_\_\_\_

**TYPICAL MOTOR PERFORMANCE DATA**

HP	KW	SYNC RPM	FL RPM	FRAME	ENCLOSURE	TYPE	KVA CODE	DESIGN
7.5	5.6	1800	1765	213TCV	TEFC	TFW	H	B

PH	HZ	VOLTS	AMPS	START TYPE	DUTY	INSL	S.F.	AMB	ELEV.
3	60	575	7.9	ACROSS THE LINE	CONT	F	1.15	40	3300

F.L. EFF	91.7	3/4 LD EFF	91.6	1/2 LD EFF	90.6	GTD EFF	91.0	ELECT. TYPE	SQ CAGE IND RUN
F.L. PF	78.3	3/4 LD PF	72.6	1/2 LD PF	60.4				

F.L. TORQUE	LR AMPS @ 460 V	L.R. TORQUE	B.D. TORQUE	F.L. RISE (°C)
22.3 LB-FT	54.0	52.9 LB-FT 237%	75.0 LB-FT 336%	55

@ 3 FT.	POWER	ROTOR WK <sup>2</sup>	MAX. LOAD WK <sup>2</sup>	SAFE STALL TIME	STARTS/HOUR	MOTOR WGT
62 dBA	71 dBA	0.85 LB-FT <sup>2</sup>	62 LB-FT <sup>2</sup>	15 SEC.	2	140 LB.

**\*\*\* SUPPLEMENTAL INFORMATION \*\*\***

DE BRACKET TYPE	ODE BRACKET TYPE	MOUNT TYPE	MOTOR ORIENTATION	SEVERE DUTY	HAZARDOUS LOCATION	DRIP COVER	SCREENS	PAINT
C-FACE	STANDARD	RIGID	ZONTAL OR UP OR D	NO	NONE	YES	NONE	BLUE (ENAMEL)

BEARINGS		GREASE	SHAFT TYPE	SPECIAL DE	SPECIAL ODE	SHAFT MATERIAL	FRAME MATERIAL
DE	ODE	POLYREX EM	T	NONE	NONE	AISI 1045 (C-240)	ROLLED STEEL
BALL	BALL						
6309	6206						

THERMOSTATS	PROTECTORS	WDG RTD's	BRG RTD's	THERMISTORS	CONTROL	SPACE HEATERS
NONE	NOT	NONE	NONE	NONE	FALSE	NA

R1 (ohms/ph)	R2 (ohms/ph)	X1 (ohms/ph)	X2 (ohms/ph)	Xm (ohms/ph)	VIBRATION (in/sec)	FLOAT
1.188	1.731	3.841	4.958	78.772	0.150	ODE

* N O T E S *	INVERTER TORQUE: NONE INV. HP SPEED RANGE: NONE					
	ENCODER: NONE NONE NONE					
	BRAKE: NONE NONE NONE					
	FT-LB: NA VOLTAGE: NONE HZ:					
	UL: V-INS, CONST UL REC					

PREPARED BY: FAREEDA DUDEKULA  
 DATE: 8/30/2018

Data Sheet

Date: 12/14/2018  
 Customer: \_\_\_\_\_  
 Attention: \_\_\_\_\_  
 Submitted by: FAREEDA DUDEKULA



213TTFWD16036

Submittal

Data @ 575 V

Motor Load Data

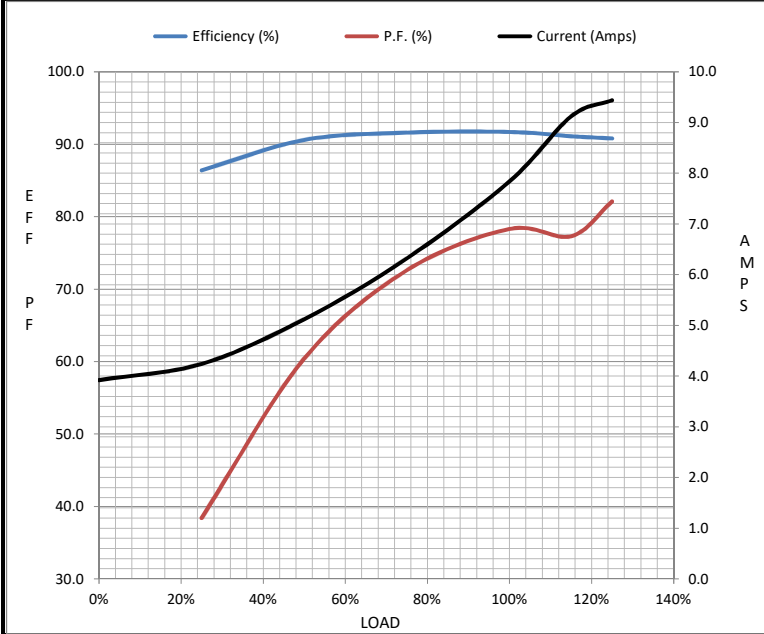
Load	0%	25%	50%	75%	100%	115%	125%	LR
Current (Amps)	3.9	4.2	5.1	6.3	7.8	9.1	9.4	54.0
Torque (ft-lb)	0.00	5.5	11.0	16.6	22.3	25.5	28.0	52.9
RPM	1800	1792	1785	1775	1765	1,765	1762	0
Efficiency (%)		86.4	90.6	91.6	91.7	91.1	90.8	
P.F. (%)	4.9	38.4	60.4	72.6	78.3	77.3	82.1	42.6

Motor Speed Data

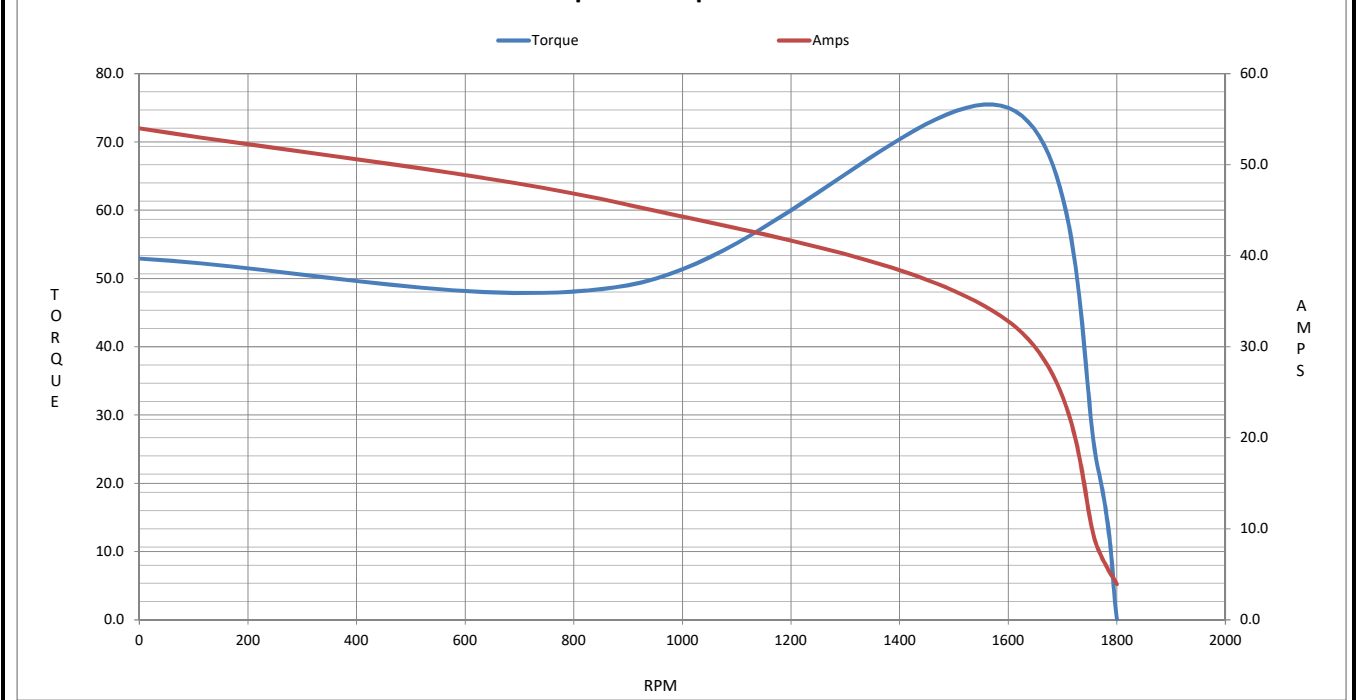
	LR	Pull-Up	BD	Rated	Idle
Speed (RPM)	0	900	1600	1765	1800
Current (Amps)	54.0	45.6	32.8	7.8	3.9
Torque (ft-lb)	52.9	49.0	75.0	22.3	0.00

Information Block

HP	7.5			
Sync. RPM	1800			
Frame	213			
Enclosure	TEFC			
Construction	TFR			
Voltage	575 V			
Frequency	60 Hz			
Design	B			
LR Code letter	H			
Service Factor	1.15			
Temp Rise @ FL	55 °C			
Duty	CONT			
Ambient	40 °C			
Elevation	1,000 feet			
Rotor/Shaft wk <sup>2</sup>	0.85 Lb-Ft <sup>2</sup>			
Ref Wdg	K2134279 R1			
Sound Pressure @ 1M	62 dBA			
VFD Rating	NONE			
Outline Dwg	SS88652-965			
Conn. Diag	005102.01			
Additional Specifications:				
0				
0				
EQUIV CKT (OHMS / PHASE)				
R1	R2	X1	X2	Xm
1.1880	1.7310	3.8410	4.9580	78.7720



Speed -Torque Curve



## EC Declaration of Conformity

The undersigned representing  
the manufacturer:

Regal Beloit America  
100 East Randolph St.  
Wausau, WI 54401

and the authorized representative  
established within the Community:

Marathon Electric UK  
6F Thistleton Road Ind. Estate  
Market Overton  
Oakham, Rutland LE15 7PP UK

are committed to providing customers with products that comply with applicable regulations and international protocols to which they are subject, including the requirements of the European Parliament Directive on the Harmonization of the laws relating to electrical equipment designed for use within certain voltage limits (2014/35/EU).

Regal Beloit America declares that the following product(s), to which this declaration relates, are in conformity with the relevant sections of the EC standards listed below.

This statement supersedes any statements previously issued pertaining to the product(s) listed below and is subject to change without notice.

Model No : 213TTFWD16036

(Model No. may contain prefix and/or suffix characters)

Catalog No : C391B

Rework No : N/A

Directives :

Low Voltage Directive 2014/35/EU

Harmonized Standards Used :

EN 60034-1: 2010 (IEC 60034-1: 2010)

EN 60034-5: 2001/A1:2007 (IEC 60034-5: 2000/A1:2006)

Authorized Representative:



Michael A. Logsdon  
Vice President, Technology

Authorized Representative in the Community:



Julian Clark  
Marketing Engineer

Created on 09/01/2022

**CE 22**