

PRODUCT INFORMATION PACKET

marathon[®]
Motors

Model No: 213TTFW7096

Catalog No: C253

Other Purpose Motor, 3 & 2 HP, 3 Ph, 60 & 50 Hz, 230/460 & 190/380 V, 1200 & 1000 RPM, 213TC Frame,
TEFC

Regal and Marathon are trademarks of Regal Rexnord Corporation or one of its affiliated companies.

©2023 Regal Rexnord Corporation, All Rights Reserved. MC017097E

RegalRexnord



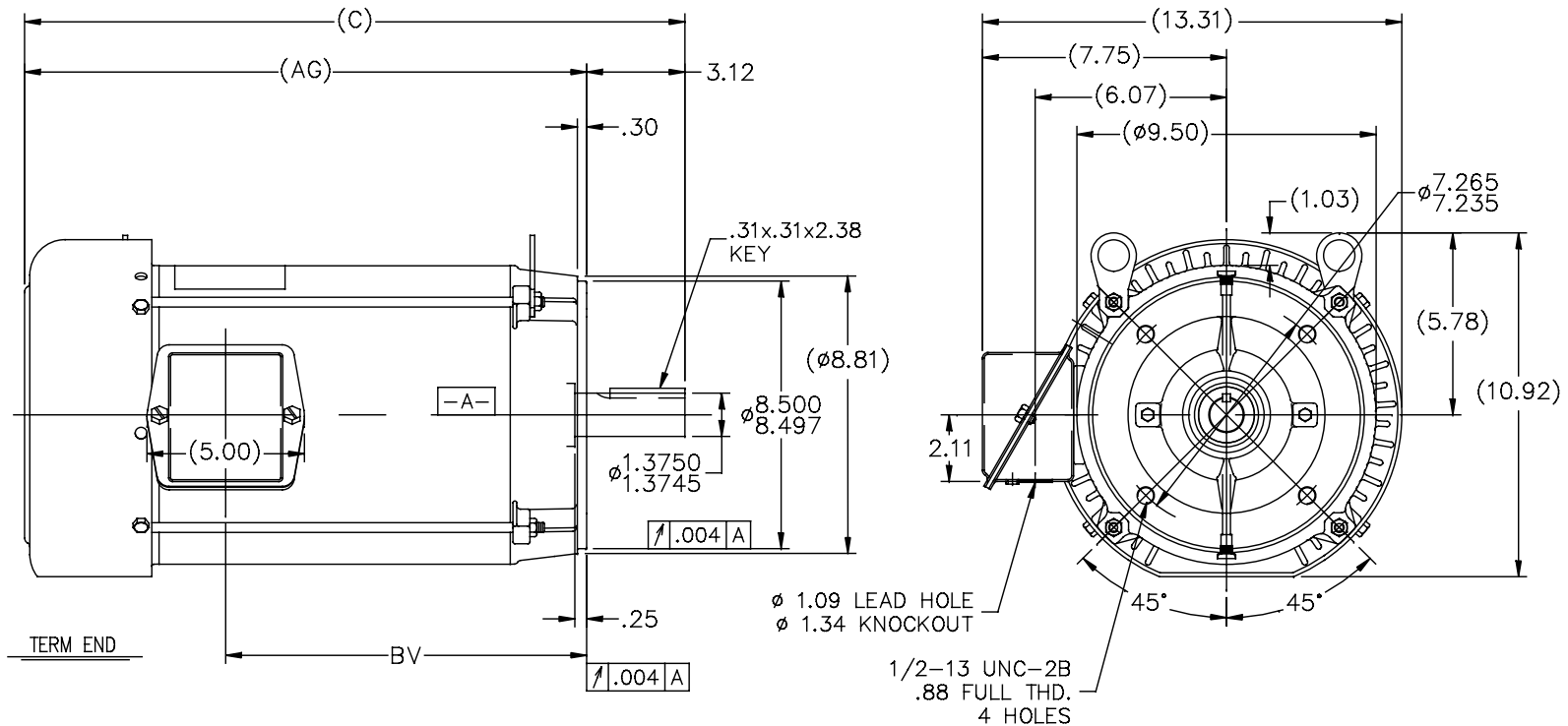
Nameplate Specifications

| | | | |
|------------------------|--------------------------------|----------------------------|------------------------------------|
| Phase | 3 | Output HP | 3 & 2 Hp |
| Output KW | 2.2 & 1.5 kW | Voltage | 230/460 & 190/380 V |
| Speed | 1155 & 965 rpm | Service Factor | 1.15 & 1.0 |
| Frame | 213TC | Enclosure | Totally Enclosed Fan Cooled |
| Thermal Protection | No Protection | Efficiency | 81.5 & 82.5 % |
| Ambient Temperature | 40 °C | Frequency | 60 & 50 Hz |
| Current | 9.6/4.8 & 8.2/4.1 A | Power Factor | 72 |
| Duty | Continuous | Insulation Class | F |
| Design Code | B | KVA Code | G |
| Drive End Bearing Size | 6309 | Opp Drive End Bearing Size | 6206 |
| UL | Recognized | CSA | Y |
| CE | Y | IP Code | 43 |
| Number of Speeds | 1 | | |

Technical Specifications

| | | | |
|-----------------------|------------------------------------|-----------------------|------------------------|
| Electrical Type | Squirrel Cage Induction Run | Starting Method | Across The Line |
| Poles | 6 | Rotation | Reversible |
| Resistance Main | 5.65 Ohms | Mounting | Round |
| Motor Orientation | Horizontal | Drive End Bearing | Ball |
| Opp Drive End Bearing | Ball | Frame Material | Rolled Steel |
| Shaft Type | T | Overall Length | 19.46 in |
| Frame Length | 9.65 in | Shaft Diameter | 1.375 in |
| Shaft Extension | 3.38 in | Assembly/Box Mounting | F1/F2 CAPABLE |
| Connection Drawing | A-EE7308 | Outline Drawing | A-SS86634-965 |

SS86634



| DASH | FR. | C | AG | BV | MOUNTING |
|------|---------|-------|-------|-------|----------|
| 965 | 213T | 19.46 | 16.34 | 9.96 | |
| 1115 | 213/15T | 20.96 | 17.84 | 11.46 | |
| 1240 | 213/15T | 22.21 | 19.09 | 12.71 | |

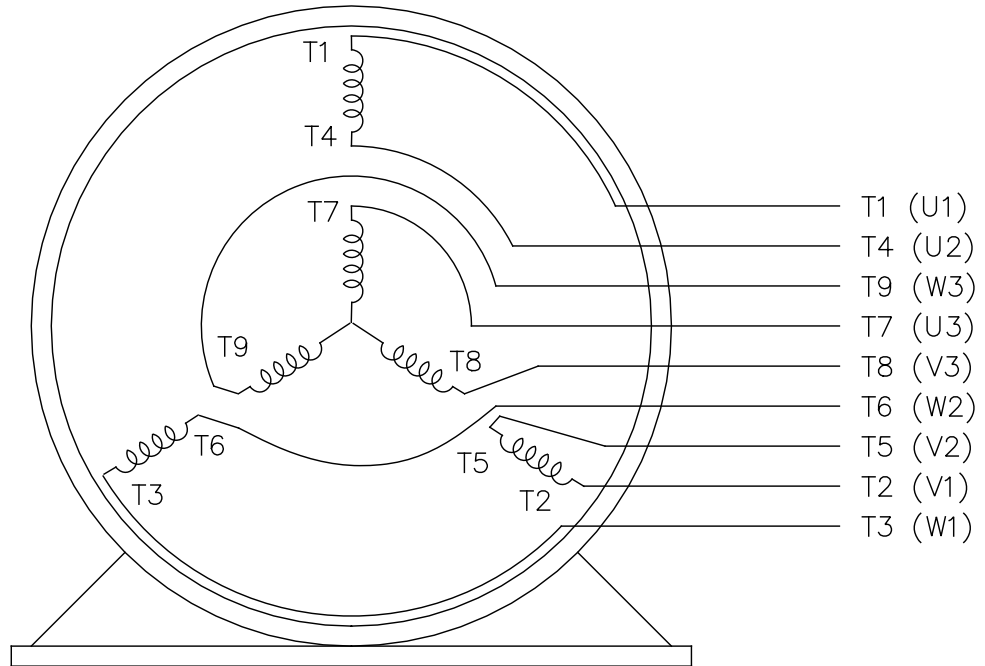
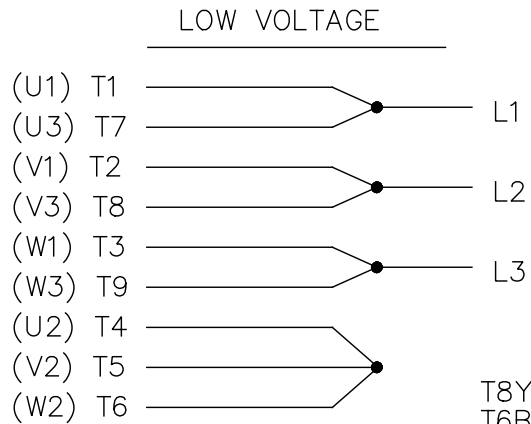
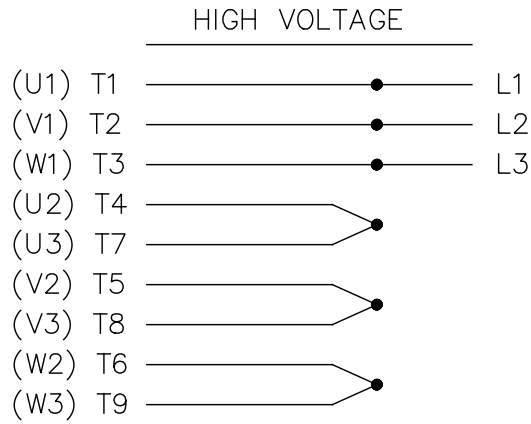
NOTES:
 1. NAMEPLATE TO BE READ FROM C'BOX SIDE OF MOTOR.
 2. BOX CAN BE MOUNTED IN 90° STEPS.

| NO. | REVISION | BY & DATE | CHK | ANG | ±7'30" | FINISH | TOLERANCES UNLESS SPECIFIED | | DRAWN DRS 10-02-1996 | | |
|--|---|----------------|-----|-------|--------|--------------------------------------|-----------------------------|--------|----------------------|-----------|--------|
| | | | | | | | DEC. | INCHES | | | |
| 6 | UPDATED TO REGAL LOGO | SAJ 07/21/15 | AJA | | | | | | CHK ML 10-03-1996 | | |
| 5 | REDRAWN IN AUTOCAD | TAT 06-29-2004 | ML | | | | | | APPD DN 10-04-1996 | | |
| 4 | UPDATED C' BOX GEOMETRY CN 28425 | DRS 01-31-2000 | | .X | ±.1 | | | | SCALE 1=5 | | |
| 3 | REMOVED GROUND SCREW FROM FRAME CN 24453 | DRS 10-01-1997 | | .XX | ±.03 | TITLE OUTLINE | | | REF | | |
| 2 | REMOVED NOTE: BOX CAN BE MOUNTED ON OPPOSITE SIDE OF MOTOR CN 23925-459 | MJD 09-02-1997 | | .XXX | ±.005 | 210T FR. -BB -TS -TEFC -R/S -C' FACE | | | REF | | |
| | | | | .XXXX | ±.0005 | MAT'L. | | | FMF | | |
| | | | | | | | | | PREV | | |
| THIS DRAWING IN DESIGN AND DETAIL IS OUR PROPERTY AND MUST NOT BE USED EXCEPT IN CONNECTION WITH OUR WORK ALL RIGHTS OF DESIGN AND INVENTION ARE RESERVED THIS IS AN ELECTRONICALLY GENERATED DOCUMENT - DO NOT SCALE THIS PRINT | | | | | | RFP | CAD FILE ss86634 | SIZE A | DRAWING NO. SS86634 | PAGE OF 6 | REV. 6 |
| | | | | | | DIST LB | | | | | |



EE7308

THREE PHASE
DUAL VOLTAGE MOTOR



VIEW OF TERMINAL END

REF.
WINDING DIAGRAM

T8Y, T2Y, T2BL, T4BX, T2EC, T2G
T6BZ, T2B, T6BL, T4AV, T6B, T4B

OPTIONAL CORD
CONNECTION

L1 — WHITE
L2 — RED
L3 — BLACK

| NO. | REVISION | BY & DATE | CHK | ANG | TOLERANCES UNLESS SPECIFIED | | FINISH | DRAWN RM 11/20/1990 | | | | |
|--|--|----------------|-----|-------|--------------------------------|--------|--------------------------|---------------------|--------|--------------------|-----------|--------|
| | | | | | DEC. | INCHES | | | | | | |
| 5 | CHG TO REGAL LOGO | SL 09/10/2015 | AB | | | | | CHK ML 11/21/1990 | | | | |
| 4 | REVISED IEC NOTATIONS | MSG 11/15/2011 | CMN | .X | ±.1 | | | APPD SAS 04/24/2003 | | | | |
| 3 | ADDED IEC NOTATIONS... (U1), (V1) ETC. MU95194 | MSG 5/10/2010 | MJS | .XX | ±.02 | | TITLE CONNECTION DIAGRAM | SCALE 1=1 | | | | |
| 2 | ADDED THE OPTIONAL CORD CONNECTION MU46318 | RDH 04/24/2003 | DRS | .XXX | ±.005 | | 3Ø - DUAL VOLTAGE MOTOR | REF | | | | |
| 1 | REDRAWN | RM 11/20/1990 | | .XXXX | ±.0005 | | MAT'L. | FMF | | | | |
| | | | | | ±7'30" | | | PREV | | | | |
| THIS DRAWING IN DESIGN AND DETAIL IS OUR PROPERTY AND MUST NOT BE USED EXCEPT IN CONNECTION WITH OUR WORK ALL RIGHTS OF DESIGN AND INVENTION ARE RESERVED THIS IS AN ELECTRONICALLY GENERATED DOCUMENT - DO NOT SCALE THIS PRINT | | | | | | | RFP | CAD FILE ee7308 | SIZE A | DRAWING NO. EE7308 | PAGE OF 5 | REV. 5 |
| | | | | | | | DIST WP | | | | | |

