

PRODUCT INFORMATION PACKET

Model No: 213TTFS6576
Catalog No: E634
3 HP Severe Duty Motor, 3 phase, 1200 RPM, 460 V, 213T Frame, TEFC
Severe Duty Motors



Regal and Marathon are trademarks of Regal Rexnord Corporation or one of its affiliated companies.
©2021 Regal Rexnord Corporation, All Rights Reserved. MC017097E



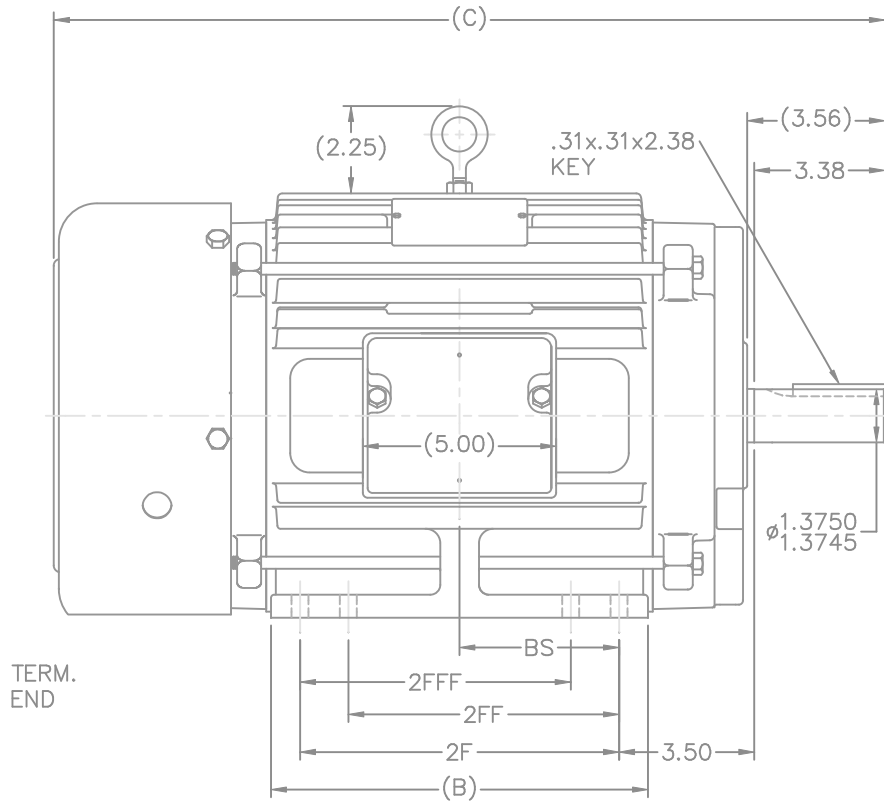
Nameplate Specifications

Output HP	3 Hp	Output KW	2.2 kW
Frequency	60 Hz	Voltage	460 V
Current	4.4 A	Speed	1170 rpm
Service Factor	1.15	Phase	3
Efficiency	89.5 %	Power Factor	70
Duty	Continuous	Insulation Class	F
Design Code	B	KVA Code	K
Frame	213T	Enclosure	Totally Enclosed Fan Cooled
Thermal Protection	No	Ambient Temperature	40 °C
Drive End Bearing Size	6307	Opp Drive End Bearing Size	6206
UL	Recognized	CSA	Y
CE	Y	IP Code	54
Number of Speeds	1		

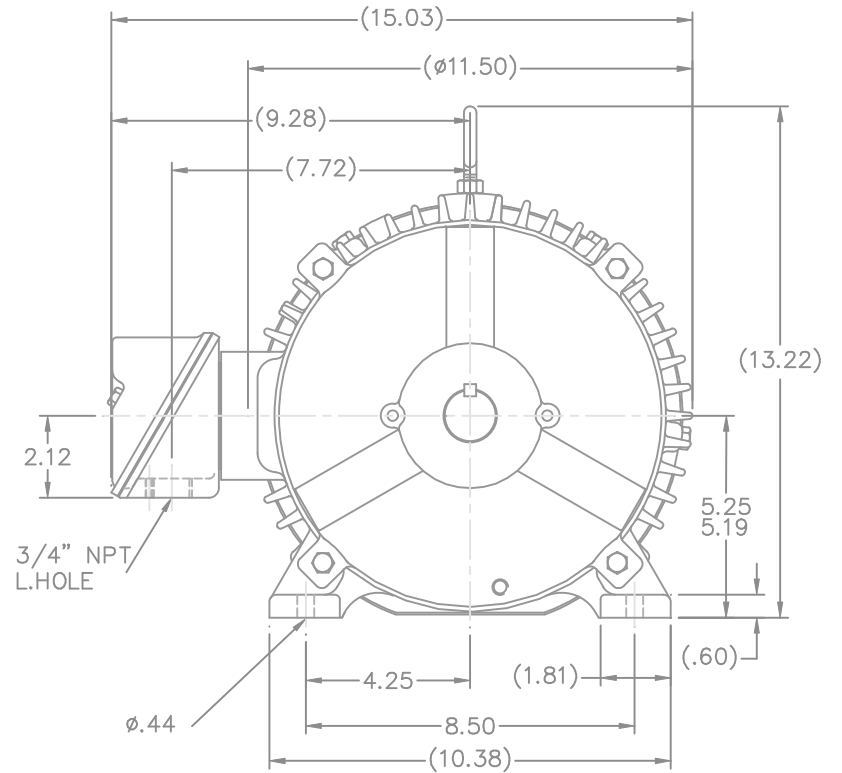
Technical Specifications

Electrical Type	Squirrel Cage Inverter Rated	Starting Method	Line Or Inverter
Poles	6	Rotation	Reversible
Resistance Main	2.785 Ohms	Mounting	Rigid Base
Motor Orientation	Horizontal	Drive End Bearing	Ball
Opp Drive End Bearing	Ball	Frame Material	Cast Iron
Shaft Type	T	Overall Length	18.22 in
Frame Length	7.25 in	Shaft Diameter	1.375 in
Shaft Extension	3.56 in	Assembly/Box Mounting	F1/F2 Capable
Connection Drawing	A-EE7300	Outline Drawing	B-SS84236-725

This is an uncontrolled document once printed or downloaded and is subject to change without notice. Date Created:10/11/2021



TERM.
END



DASH	FRAME	B	2F	2FF	2FFF	BS	FOOT HOLE QTY.	MOUNTING	C CAST FAN GUARD	C STEEL FAN GUARD
725	213T	7.00	5.50	—	—	2.75	4	F1 OR F2	18.22	18.74
875	215T	8.50	7.00	—	—	3.50	4	F1 OR F2	19.72	20.24
875	213/5T	8.50	7.00	5.50	5.50	3.50	8	F1 OR F2	19.72	20.24
1000	213T	9.75	8.25	5.50	5.50	4.12	8	F1 OR F2	20.97	21.49
1000	215T	9.75	8.25	7.00	7.00	4.12	8	F1 OR F2	20.97	21.49

NOTES:

1. CONDUIT BOX CAN BE ROTATED IN 90° STEPS.
2. CONDUIT BOX CAN BE MOUNTED ON OPPOSITE SIDE BY REMOVING BRACKETS AND TURNING FRAME 180°.
3. NAMEPLATE TO BE READ FROM CONDUIT BOX SIDE OF MOTOR.

NO.	REVISION	BY & DATE	CHK	ANG	FINISH	PREV
13	REMOVED NOTE "SEE TABLE FOR HOLE QTY."	RDH 11-18-2003	ML	UNLESS SPECIFIED		
12	-875'S FOOT HOLE QTYS. WERE SWITCHED CN37323	ERH 10-21-2003	ML	DEC.	INCHES	
11	REVISED TABLE TO CLARIFY MOUNTINGS CN37301	TAT 9-29-2003	ML	.X	±.1	
10	CORRECTED CONDUIT BOX VIEWS CN28426	BLR 1-5-2000		.XX	±.03	
9	REVISED CONDUIT BOX CN28426	BLR 1-4-2000		.XXX	±.005	
8	REVISED DASH TABLE AND FOOT HOLE DIM.	MRB 3-26-1999		.XXXX	±.0005	
			RFP			
			DIST	LB		

THIS DRAWING IN DESIGN AND DETAIL IS OUR PROPERTY AND MUST NOT BE USED EXCEPT IN CONNECTION WITH OUR WORK. ALL RIGHTS OF DESIGN AND INVENTION ARE RESERVED. THIS IS AN ELECTRONICALLY GENERATED DOCUMENT - DO NOT SCALE THIS PRINT				CAD FILE ss84236		SIZE B	DRAWING NO. SS84236	PAGE OF 13
--	--	--	--	------------------	--	--------	---------------------	------------

MARATHON ELECTRIC		TITLE OUTLINE 210T FR. - TEFC		DRAWN RM 1-11-1993
MARATHON ELECTRIC		MATERIAL		CHK ML 1-12-1993
MARATHON ELECTRIC		FINISH		APPD GK 1-12-1993
MARATHON ELECTRIC		SCALE 5=16		REF
MARATHON ELECTRIC		PREV		FMF

**THREE PHASE - SINGLE VOLTAGE
MOTOR - CONDUIT BOX @ 'A'**

**TO REVERSE ROTATION:
INTERCHANGE ANY TWO
LINE LEAD CONNECTIONS.**

TERMINAL BLOCK WHEN SPECIFIED



VIEW OF TERMINAL END

**IF MOTOR HAS
6 LEADS**



A-9806 DECAL

**OPTIONAL CORD
CONNECTION**

- L1 _____ WHITE _____
- L2 _____ RED _____
- L3 _____ BLACK _____

DRAWING REVISION AB	REVISION BY JJB	DATE 06-27-2017
ECO ECO-0125361	APPROVED BY TB	DATE 06-27-2017
ECO DESCRIPTION UPDATED TO CURRENT STANDARDS		
<small>COPYRIGHT REGAL BELOIT AMERICA, INC. ALL RIGHTS RESERVED. PROPRIETARY AND CONFIDENTIAL INFORMATION - THIS DOCUMENT IS THE PROPERTY OF REGAL BELOIT AMERICA, INC. ("OWNER") AND CONTAINS OWNER'S PROPRIETARY INFORMATION. ANY PERSON, CORPORATION OR OTHER FIRM RECEIVING IT IS DEEMED, BY RECEIVING IT, TO AGREE THAT IT, AND/OR ANY PART OF IT, SHALL NOT BE DISCLOSED TO ANY PERSON, CORPORATION OR OTHER ENTITY, DUPLICATED, AND/OR USED, EXCEPT AS EXPRESSLY APPROVED IN WRITING IN ADVANCE BY OWNER. THIS DOCUMENT SHALL BE RETURNED TO OWNER UPON REQUEST. IT MAY BE SUBJECT TO CERTAIN RESTRICTIONS UNDER APPLICABLE EXPORT CONTROL LAWS AND REGULATIONS.</small>		



DRAWN BY DA
DATE 03-26-1993
APPROVED BY TB
DATE 03-26-1993
REFERENCE
THIRD ANGLE PROJECTION

Regal Beloit America, Inc.	
MATERIAL	PROCESS/FINISH
SIZE A	DRAWING NUMBER EE7300
SHEET 1 OF 1	

CERTIFICATION DATA SHEET

Model#: 213TTFS6576 GT **WINDING#:** K213660 NONE 7
CONN. DIAGRAM: A-EE7300 **ASSEMBLY:** F1/F2 CAPABLE
OUTLINE: B-SS84236-725

TYPICAL MOTOR PERFORMANCE DATA

HP	KW	SYNC. RPM	F.L. RPM	FRAME	ENCLOSURE	KVA CODE	DESIGN
3	2.24	1200	1170	213T	TEFC	K	B

PH	Hz	VOLTS	FL AMPS	START TYPE	DUTY	INSL	S.F	AMB°C	ELEVATION
3	60	460	4.4	LINE OR INVERTER	CONTINUOU S	F3	1.15	40	3300

FULL LOAD EFF: 89.5	3/4 LOAD EFF: 89.5	1/2 LOAD EFF: 87.5	GTD. EFF	ELEC. TYPE	NO LOAD AMPS
FULL LOAD PF: 70	3/4 LOAD PF: 62	1/2 LOAD PF: 49.5	88.5	SQ CAGE INV RATED	2.5

F.L. TORQUE	LOCKED ROTOR AMPS	L.R. TORQUE	B.D. TORQUE	F.L. RISE°C
13.5 LB-FT	32	34 LB-FT 252	47.5 LB-FT 352	35

SOUND PRESSURE @ 3 FT.	SOUND POWER	ROTOR WK^2	MAX. WK^2	SAFE STALL TIME	STARTS /HOUR	APPROX. MOTOR WGT
55 dBA	65 dBA	0.8 LB-FT^2	90 LB-FT^2	25 SEC.	2	160 LBS.

***** SUPPLEMENTAL INFORMATION *****

DE BRACKET TYPE	ODE BRACKET TYPE	MOUNT TYPE	ORIENTATION	SEVERE DUTY	HAZARDOUS LOCATION	DRIP COVER	SCREENS	PAINT
STANDARD	STANDARD	RIGID	HORIZONTAL	PREMIUM SEVERE DUTY	DIVISION 2 T2B	FALSE	NONE	BLUE (EPOXY)

BEARINGS		GREASE	SHAFT TYPE	SPECIAL DE	SPECIAL ODE	SHAFT MATERIAL	FRAME MATERIAL
DE	OPE						
BALL	BALL	POLYREX EM	T	NONE	NONE	1144 STRESSPROOF (C-223)	CAST IRON
6307	6206						

THERMO-PROTECTORS				THERMISTORS	CONTROL	SPACE /n HEATERS
THERMOSTATS	PROTECTORS	WDG RTDs	BRG RTDs			
NONE	NOT	NONE	NONE	NONE	FALSE	NONE VOLTS

If Inverter equals NONE, contact factory for further information

*
N
O
T
E
S
*

INVERTER TORQUE: CONSTANT 20:1 INV. HP SPEED RANGE: 1.5 X BASE SPEED
ENCODER: NONE NONE NONE NONE NONE PPR
BRAKE: NONE NONE NONE P/N NONE NONE NONE - FT-LB NONE V NONE Hz

DATE: 06/21/2017 10:51:02 AM
 FORM 3531 REV.3 02/07/99
 ** Subject to change without notice.

Data Sheet

Date: 6/19/2017

213TFS6576

Customer: _____

Attention: _____

Submitted by: FAREEDA DUDEKULA



Submittal

Data @ 460 V

Motor Load Data

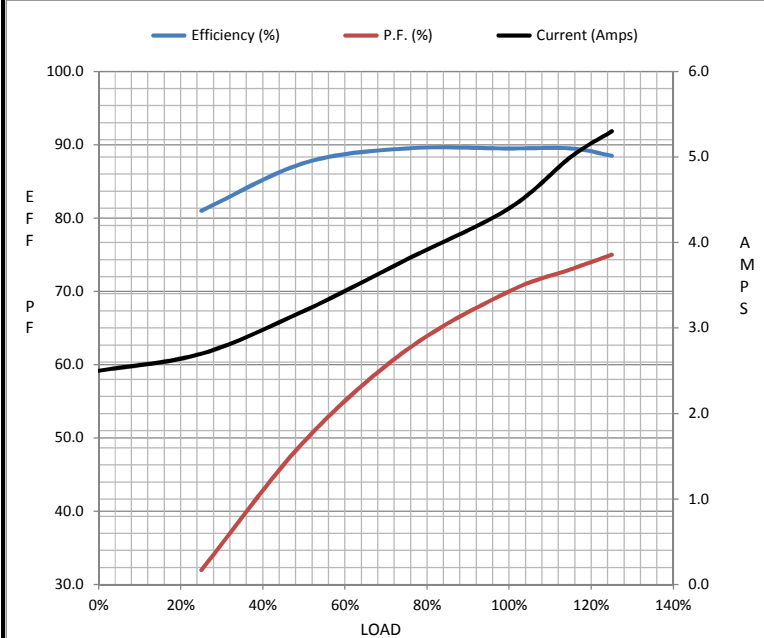
Load	0%	25%	50%	75%	100%	115%	125%	LR
Current (Amps)	2.50	2.70	3.2	3.8	4.4	5.0	5.3	32.0
Torque (ft-lb)	0.00	3.3	6.7	10.0	13.5	15.5	17.0	34.0
RPM	1200	1194	1186	1180	1170	1,168	1166	0
Efficiency (%)		81.0	87.5	89.5	89.5	89.5	88.5	
P.F. (%)	6.0	32.0	49.5	62.0	70.0	73.0	75.0	40.0

Motor Speed Data

	LR	Pull-Up	BD	Rated	Idle
Speed (RPM)	0	600	1025	1170	1200
Current (Amps)	32.0	28.0	20.0	4.4	2.50
Torque (ft-lb)	34.0	32.0	47.5	13.5	0.00

Information Block

HP	3.0			
Sync. RPM	1200			
Frame	213			
Enclosure	TEFC			
Construction	TFN			
Voltage	460 V			
Frequency	60 Hz			
Design	B			
LR Code letter	K			
Service Factor	1.15			
Temp Rise @ FL	35 ° C			
Duty	CONT			
Ambient	40 ° C			
Elevation	1,000 feet			
Rotor/Shaft wk ²	0.80 Lb-Ft ²			
Ref Wdg	K213660 NONE			
Sound Pressure @ 1M	55 dBA			
VFD Rating	CONSTANT 20:1			
Outline Dwg	B-SS84236-725			
Conn. Diag	A-EE7300			
Additional Specifications:				
0				
0				
EQUIV CKT (OHMS / PHASE)				
R1	R2	X1	X2	Xm
1.6270	1.5890	6.7630	7.7850	95.0630



Speed -Torque Curve

