

PRODUCT INFORMATION PACKET

Model No: 213TTFS6530
Catalog No: E671
7.50 HP Severe Duty Motor, 3 phase, 1800 RPM, 575 V, 213T Frame, TEFC
Severe Duty Motors



Regal and Marathon are trademarks of Regal Rexnord Corporation or one of its affiliated companies.
©2021 Regal Rexnord Corporation, All Rights Reserved. MC017097E



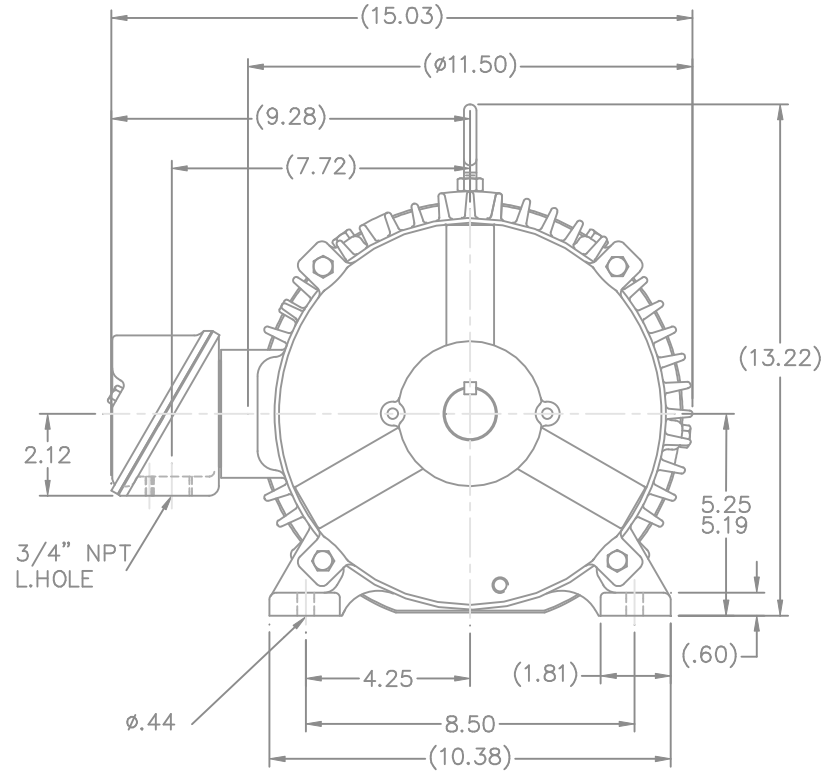
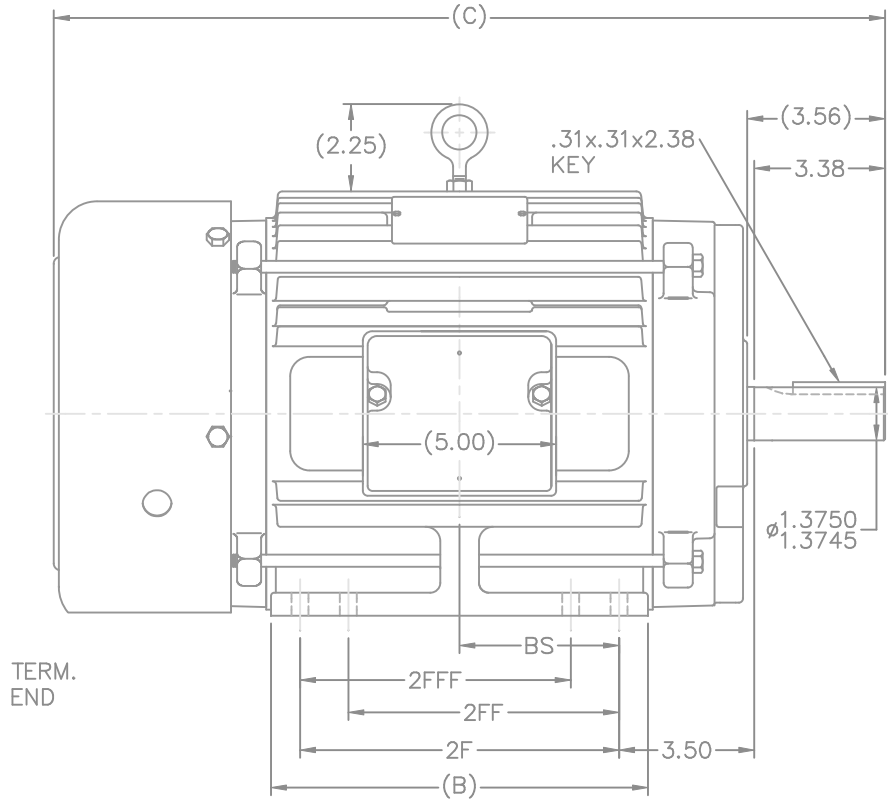
Nameplate Specifications

| | | | |
|------------------------|-------------------|----------------------------|------------------------------------|
| Output HP | 7.50 Hp | Output KW | 5.6 kW |
| Frequency | 60 Hz | Voltage | 575 V |
| Current | 7.7 A | Speed | 1770 rpm |
| Service Factor | 1.15 | Phase | 3 |
| Efficiency | 91.7 % | Power Factor | 80 |
| Duty | Continuous | Insulation Class | F |
| Design Code | B | KVA Code | H |
| Frame | 213T | Enclosure | Totally Enclosed Fan Cooled |
| Thermal Protection | No | Ambient Temperature | 40 °C |
| Drive End Bearing Size | 6307 | Opp Drive End Bearing Size | 6206 |
| UL | Recognized | CSA | Y |
| CE | Y | IP Code | 54 |
| Number of Speeds | 1 | | |

Technical Specifications

| | | | |
|-----------------------|-------------------------------------|-----------------------|-------------------------|
| Electrical Type | Squirrel Cage Inverter Rated | Starting Method | Line Or Inverter |
| Poles | 4 | Rotation | Reversible |
| Resistance Main | 1.17 Ohms | Mounting | Rigid Base |
| Motor Orientation | Horizontal | Drive End Bearing | Ball |
| Opp Drive End Bearing | Ball | Frame Material | Cast Iron |
| Shaft Type | T | Overall Length | 19.72 in |
| Frame Length | 8.75 in | Shaft Diameter | 1.375 in |
| Shaft Extension | 3.56 in | Assembly/Box Mounting | F1/F2 Capable |
| Connection Drawing | A-EE7300 | Outline Drawing | B-SS84236-875 |

This is an uncontrolled document once printed or downloaded and is subject to change without notice. Date Created:10/12/2021



| DASH | FRAME | B | 2F | 2FF | 2FFF | BS | FOOT HOLE QTY. | MOUNTING | C CAST FAN GUARD | C STEEL FAN GUARD |
|------|--------|------|------|------|------|------|----------------|----------|---------------------|----------------------|
| 725 | 213T | 7.00 | 5.50 | — | — | 2.75 | 4 | F1 OR F2 | 18.22 | 18.74 |
| 875 | 215T | 8.50 | 7.00 | — | — | 3.50 | 4 | F1 OR F2 | 19.72 | 20.24 |
| 875 | 213/5T | 8.50 | 7.00 | 5.50 | 5.50 | 3.50 | 8 | F1 OR F2 | 19.72 | 20.24 |
| 1000 | 213T | 9.75 | 8.25 | 5.50 | 5.50 | 4.12 | 8 | F1 OR F2 | 20.97 | 21.49 |
| 1000 | 215T | 9.75 | 8.25 | 7.00 | 7.00 | 4.12 | 8 | F1 OR F2 | 20.97 | 21.49 |

NOTES:

1. CONDUIT BOX CAN BE ROTATED IN 90° STEPS.
2. CONDUIT BOX CAN BE MOUNTED ON OPPOSITE SIDE BY REMOVING BRACKETS AND TURNING FRAME 180°.
3. NAMEPLATE TO BE READ FROM CONDUIT BOX SIDE OF MOTOR.

| NO. | REVISION | BY & DATE | CHK | ANG | FINISH | PREV |
|-----|--|----------------|------|------------------|--------|------|
| 13 | REMOVED NOTE "SEE TABLE FOR HOLE QTY." | RDH 11-18-2003 | ML | UNLESS SPECIFIED | | |
| 12 | -875'S FOOT HOLE QTYS. WERE SWITCHED CN37323 | ERH 10-21-2003 | ML | DEC. | INCHES | |
| 11 | REVISED TABLE TO CLARIFY MOUNTINGS CN37301 | TAT 9-29-2003 | ML | .X | ±.1 | |
| 10 | CORRECTED CONDUIT BOX VIEWS CN28426 | BLR 1-5-2000 | | .XX | ±.03 | |
| 9 | REVISED CONDUIT BOX CN28426 | BLR 1-4-2000 | | .XXX | ±.005 | |
| 8 | REVISED DASH TABLE AND FOOT HOLE DIM. | MRB 3-26-1999 | | .XXXX | ±.0005 | |
| | | | RFP | | | |
| | | | DIST | LB | | |

| | | | | | | | | |
|---|--|--|--|------------------|--|--------|---------------------|------------|
| THIS DRAWING IN DESIGN AND DETAIL IS OUR PROPERTY AND MUST NOT BE USED EXCEPT IN CONNECTION WITH OUR WORK. ALL RIGHTS OF DESIGN AND INVENTION ARE RESERVED. THIS IS AN ELECTRONICALLY GENERATED DOCUMENT - DO NOT SCALE THIS PRINT. | | | | CAD FILE ss84236 | | SIZE B | DRAWING NO. SS84236 | PAGE OF 13 |
|---|--|--|--|------------------|--|--------|---------------------|------------|

| | | |
|-------------------|----------------------------------|---|
| MARATHON ELECTRIC | TITLE OUTLINE 210T FR. - TEFC | DRAWN RM 1-11-1993 CHK ML 1-12-1993 APPD GK 1-12-1993 SCALE 5=16 REF FMF PREV |
|-------------------|----------------------------------|---|

**THREE PHASE - SINGLE VOLTAGE
MOTOR - CONDUIT BOX @ 'A'**

**TO REVERSE ROTATION:
INTERCHANGE ANY TWO
LINE LEAD CONNECTIONS.**

TERMINAL BLOCK WHEN SPECIFIED



VIEW OF TERMINAL END

**IF MOTOR HAS
6 LEADS**



A-9806 DECAL

**OPTIONAL CORD
CONNECTION**



| | | |
|---|---------------------------|---------------------------|
| DRAWING REVISION AB | REVISION BY JJB | DATE 06-27-2017 |
| ECO ECO-0125361 | APPROVED BY TB | DATE 06-27-2017 |
| ECO DESCRIPTION UPDATED TO CURRENT STANDARDS | | |
| <small>COPYRIGHT REGAL BELOIT AMERICA, INC. ALL RIGHTS RESERVED. PROPRIETARY AND CONFIDENTIAL INFORMATION - THIS DOCUMENT IS THE PROPERTY OF REGAL BELOIT AMERICA, INC. ("OWNER") AND CONTAINS OWNER'S PROPRIETARY INFORMATION. ANY PERSON, CORPORATION OR OTHER FIRM RECEIVING IT IS DEEMED, BY RECEIVING IT, TO AGREE THAT IT, AND/OR ANY PART OF IT, SHALL NOT BE DISCLOSED TO ANY PERSON, CORPORATION OR OTHER ENTITY, DUPLICATED, AND/OR USED, EXCEPT AS EXPRESSLY APPROVED IN WRITING IN ADVANCE BY OWNER. THIS DOCUMENT SHALL BE RETURNED TO OWNER UPON REQUEST. IT MAY BE SUBJECT TO CERTAIN RESTRICTIONS UNDER APPLICABLE EXPORT CONTROL LAWS AND REGULATIONS.</small> | | |



| |
|---------------------------|
| DRAWN BY DA |
| DATE 03-26-1993 |
| APPROVED BY TB |
| DATE 03-26-1993 |
| REFERENCE |
| THIRD ANGLE PROJECTION |

| | |
|--|---------------------------------|
| Regal Beloit America, Inc. | |
| DESCRIPTION CONNECTION DIAGRAM EXTERNAL - SINGLE VOLTAGE - 3Ø MOTOR | |
| MATERIAL | PROCESS/FINISH |
| SIZE A | DRAWING NUMBER EE7300 |
| SHEET 1 OF 1 | |

Data Sheet

Date: 29-06-2017
 Customer: _____
 Attention: _____
 Submitted by: FAREEDA DUDEKULA



213TTF56530

Submittal

Data @ 575 V

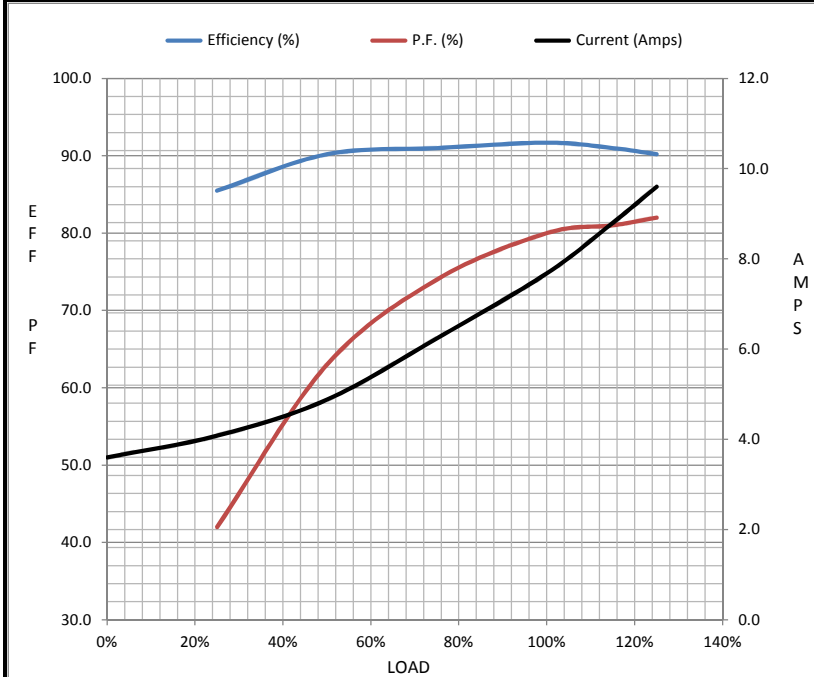
Motor Load Data

| Load | 0% | 25% | 50% | 75% | 100% | 115% | 125% | LR |
|----------------|------|------|------|------|------|-------|------|------|
| Current (Amps) | 3.6 | 4.1 | 4.9 | 6.2 | 7.7 | 8.8 | 9.6 | 50.8 |
| Torque (ft-lb) | 0.00 | 5.5 | 11.0 | 16.5 | 22.3 | 25.5 | 28.0 | 52.0 |
| RPM | 1800 | 1790 | 1785 | 1775 | 1770 | 1,765 | 1760 | 0 |
| Efficiency (%) | | 85.5 | 90.2 | 91.0 | 91.7 | 91.0 | 90.2 | |
| P.F. (%) | 5.5 | 42.0 | 63.0 | 74.0 | 80.0 | 81.0 | 82.0 | 45.0 |

Motor Speed Data

| | LR | Pull-Up | BD | Rated | Idle |
|----------------|------|---------|------|-------|------|
| Speed (RPM) | 0 | 900 | 1600 | 1770 | 1800 |
| Current (Amps) | 50.8 | 45.6 | 36.0 | 7.7 | 3.6 |
| Torque (ft-lb) | 52.0 | 49.0 | 72.0 | 22.3 | 0.00 |

| Information Block | | | | |
|-----------------------------|-------------------------|--------|--------|---------|
| HP | 7.5 | | | |
| Sync. RPM | 1800 | | | |
| Frame | 213 | | | |
| Enclosure | TEFC | | | |
| Construction | TFN | | | |
| Voltage | 575 V | | | |
| Frequency | 60 Hz | | | |
| Design | B | | | |
| LR Code letter | H | | | |
| Service Factor | 1.15 | | | |
| Temp Rise @ FL | 50 °C | | | |
| Duty | CONT | | | |
| Ambient | 40 °C | | | |
| Elevation | 1,000 feet | | | |
| Rotor/Shaft wk ² | 0.95 Lb-Ft ² | | | |
| Ref Wdg | K2134158 NONE | | | |
| Sound Pressure @ 1M | 62 dBA | | | |
| VFD Rating | CONSTANT 20:1 | | | |
| Outline Dwg | B-SS84236-875 | | | |
| Conn. Diag | A-EE7300 | | | |
| Additional Specifications: | | | | |
| 0 | | | | |
| 365THFS8036 | | | | |
| EQUIV CKT (OHMS / PHASE) | | | | |
| R1 | R2 | X1 | X2 | Xm |
| 0.9330 | 0.7090 | 3.6620 | 5.4690 | 81.5060 |



Speed - Torque Curve

