

PRODUCT INFORMATION PACKET

Model No: 213TTFS6526
Catalog No: E618
7.50 HP Severe Duty Motor, 3 phase, 1800 RPM, 460 V, 213T Frame, TEFC
Severe Duty Motors



Regal and Marathon are trademarks of Regal Rexnord Corporation or one of its affiliated companies.
©2021 Regal Rexnord Corporation, All Rights Reserved. MC017097E



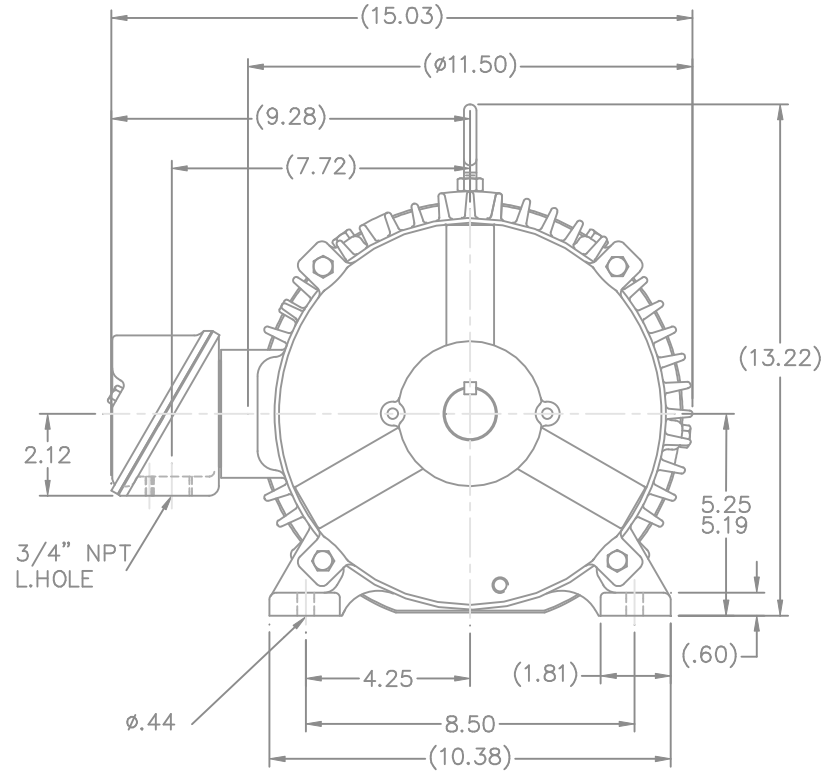
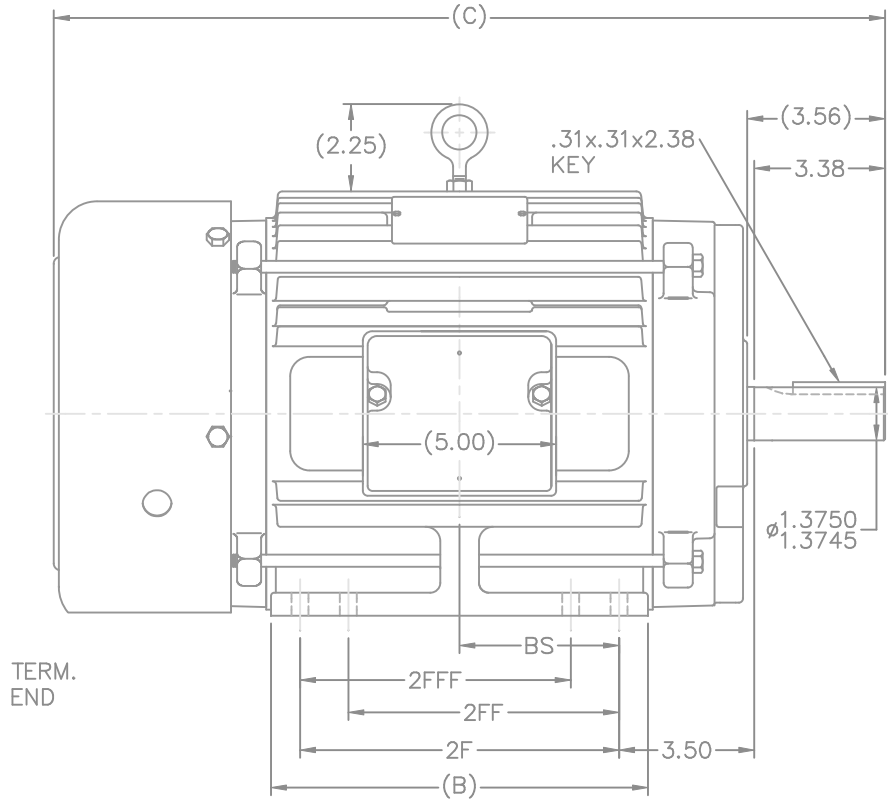
Nameplate Specifications

Output HP	7.50 Hp	Output KW	5.6 kW
Frequency	60 Hz	Voltage	460 V
Current	9.6 A	Speed	1770 rpm
Service Factor	1.15	Phase	3
Efficiency	91.7 %	Power Factor	80
Duty	Continuous	Insulation Class	F
Design Code	B	KVA Code	H
Frame	213T	Enclosure	Totally Enclosed Fan Cooled
Thermal Protection	No	Ambient Temperature	40 °C
Drive End Bearing Size	6307	Opp Drive End Bearing Size	6206
UL	Recognized	CSA	Y
CE	Y	IP Code	54
Number of Speeds	1		

Technical Specifications

Electrical Type	Squirrel Cage Inverter Rated	Starting Method	Line Or Inverter
Poles	4	Rotation	Reversible
Resistance Main	1.17 Ohms	Mounting	Rigid Base
Motor Orientation	Horizontal	Drive End Bearing	Ball
Opp Drive End Bearing	Ball	Frame Material	Cast Iron
Shaft Type	T	Overall Length	19.72 in
Frame Length	8.75 in	Shaft Diameter	1.375 in
Shaft Extension	3.56 in	Assembly/Box Mounting	F1/F2 Capable
Connection Drawing	A-EE7300	Outline Drawing	B-SS84236-875

This is an uncontrolled document once printed or downloaded and is subject to change without notice. Date Created:10/12/2021



DASH	FRAME	B	2F	2FF	2FFF	BS	FOOT HOLE QTY.	MOUNTING	C CAST FAN GUARD	C STEEL FAN GUARD
725	213T	7.00	5.50	—	—	2.75	4	F1 OR F2	18.22	18.74
875	215T	8.50	7.00	—	—	3.50	4	F1 OR F2	19.72	20.24
875	213/5T	8.50	7.00	5.50	5.50	3.50	8	F1 OR F2	19.72	20.24
1000	213T	9.75	8.25	5.50	5.50	4.12	8	F1 OR F2	20.97	21.49
1000	215T	9.75	8.25	7.00	7.00	4.12	8	F1 OR F2	20.97	21.49

NOTES:

1. CONDUIT BOX CAN BE ROTATED IN 90° STEPS.
2. CONDUIT BOX CAN BE MOUNTED ON OPPOSITE SIDE BY REMOVING BRACKETS AND TURNING FRAME 180°.
3. NAMEPLATE TO BE READ FROM CONDUIT BOX SIDE OF MOTOR.

NO.	REVISION	BY & DATE	CHK	ANG	FINISH	PREV
13	REMOVED NOTE "SEE TABLE FOR HOLE QTY."	RDH 11-18-2003	ML	UNLESS SPECIFIED		
12	-875'S FOOT HOLE QTYS. WERE SWITCHED CN37323	ERH 10-21-2003	ML	DEC.	INCHES	
11	REVISED TABLE TO CLARIFY MOUNTINGS CN37301	TAT 9-29-2003	ML	.X	±.1	
10	CORRECTED CONDUIT BOX VIEWS CN28426	BLR 1-5-2000		.XX	±.03	
9	REVISED CONDUIT BOX CN28426	BLR 1-4-2000		.XXX	±.005	
8	REVISED DASH TABLE AND FOOT HOLE DIM.	MRB 3-26-1999		.XXXX	±.0005	
			RFP			
			DIST	LB		

THIS DRAWING IN DESIGN AND DETAIL IS OUR PROPERTY AND MUST NOT BE USED EXCEPT IN CONNECTION WITH OUR WORK. ALL RIGHTS OF DESIGN AND INVENTION ARE RESERVED. THIS IS AN ELECTRONICALLY GENERATED DOCUMENT - DO NOT SCALE THIS PRINT.				CAD FILE ss84236		SIZE B	DRAWING NO. SS84236	PAGE OF 13
---	--	--	--	------------------	--	--------	---------------------	------------

MARATHON ELECTRIC	TITLE OUTLINE 210T FR. - TEFC	DRAWN RM 1-11-1993 CHK ML 1-12-1993 APPD GK 1-12-1993 SCALE 5=16 REF FMF PREV
-------------------	----------------------------------	---

**THREE PHASE - SINGLE VOLTAGE
MOTOR - CONDUIT BOX @ 'A'**

**TO REVERSE ROTATION:
INTERCHANGE ANY TWO
LINE LEAD CONNECTIONS.**

TERMINAL BLOCK WHEN SPECIFIED



VIEW OF TERMINAL END

**IF MOTOR HAS
6 LEADS**



A-9806 DECAL

**OPTIONAL CORD
CONNECTION**



DRAWING REVISION AB	REVISION BY JJB	DATE 06-27-2017
ECO ECO-0125361	APPROVED BY TB	DATE 06-27-2017
ECO DESCRIPTION UPDATED TO CURRENT STANDARDS		
<small>COPYRIGHT REGAL BELOIT AMERICA, INC. ALL RIGHTS RESERVED. PROPRIETARY AND CONFIDENTIAL INFORMATION - THIS DOCUMENT IS THE PROPERTY OF REGAL BELOIT AMERICA, INC. ("OWNER") AND CONTAINS OWNER'S PROPRIETARY INFORMATION. ANY PERSON, CORPORATION OR OTHER FIRM RECEIVING IT IS DEEMED, BY RECEIVING IT, TO AGREE THAT IT, AND/OR ANY PART OF IT, SHALL NOT BE DISCLOSED TO ANY PERSON, CORPORATION OR OTHER ENTITY, DUPLICATED, AND/OR USED, EXCEPT AS EXPRESSLY APPROVED IN WRITING IN ADVANCE BY OWNER. THIS DOCUMENT SHALL BE RETURNED TO OWNER UPON REQUEST. IT MAY BE SUBJECT TO CERTAIN RESTRICTIONS UNDER APPLICABLE EXPORT CONTROL LAWS AND REGULATIONS.</small>		



DRAWN BY DA
DATE 03-26-1993
APPROVED BY TB
DATE 03-26-1993
REFERENCE
THIRD ANGLE PROJECTION

Regal Beloit America, Inc.	
DESCRIPTION CONNECTION DIAGRAM EXTERNAL - SINGLE VOLTAGE - 3Ø MOTOR	
MATERIAL	PROCESS/FINISH
SIZE A	DRAWING NUMBER EE7300
SHEET 1 OF 1	

CERTIFICATION DATA SHEET

Model#: 213TTFS6526 FW
CONN. DIAGRAM: A-EE7300
OUTLINE: B-SS84236-875

WINDING#: K2134158 NONE 7
ASSEMBLY: F1/F2 CAPABLE

TYPICAL MOTOR PERFORMANCE DATA

Table with 8 columns: HP, KW, SYNC. RPM, F.L. RPM, FRAME, ENCLOSURE, KVA CODE, DESIGN. Additional rows include PH, Hz, VOLTS, FL AMPS, START TYPE, DUTY, INSL, S.F, AMB°C, ELEVATION, EFFICIENCY, PF, TORQUE, and SOUND PRESSURE.

*** SUPPLEMENTAL INFORMATION ***

Table with 9 columns: DE BRACKET TYPE, ODE BRACKET TYPE, MOUNT TYPE, ORIENTATION, SEVERE DUTY, HAZARDOUS LOCATION, DRIP COVER, SCREENS, PAINT.

Table with 8 columns: BEARINGS (DE, OPE), GREASE, SHAFT TYPE, SPECIAL DE, SPECIAL ODE, SHAFT MATERIAL, FRAME MATERIAL.

Table with 7 columns: THERMO-PROTECTORS (THERMOSTATS, PROTECTORS, WDG RTDs, BRG RTDs), THERMISTORS, CONTROL, SPACE /n HEATERS.

If Inverter equals NONE, contact factory for further information

* N O T E S *

Table with 2 rows: INVERTER TORQUE: CONSTANT 20:1 INV. HP SPEED RANGE: 1.5 X BASE SPEED; ENCODER: NONE; BRAKE: NONE NONE

DATE: 06/22/2017 05:45:38 AM
FORM 3531 REV.3 02/07/99
** Subject to change without notice.

Data Sheet

Date: 29-06-2017
Customer: _____
Attention: _____
Submitted by: FAREEDA DUDEKULA



213TTF56526

Submittal

Data @ **460 V**

Motor Load Data

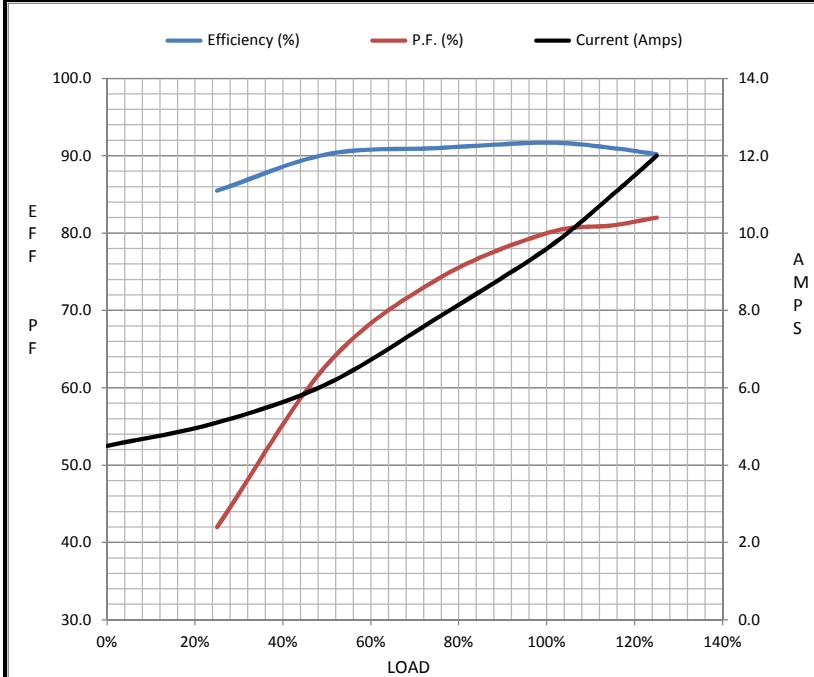
Load	0%	25%	50%	75%	100%	115%	125%	LR
Current (Amps)	4.5	5.1	6.1	7.8	9.6	11.0	12.0	63.5
Torque (ft-lb)	0.00	5.5	11.0	16.5	22.3	25.5	28.0	52.0
RPM	1800	1790	1785	1775	1770	1,765	1760	0
Efficiency (%)		85.5	90.2	91.0	91.7	91.0	90.2	
P.F. (%)	5.5	42.0	63.0	74.0	80.0	81.0	82.0	45.0

Motor Speed Data

	LR	Pull-Up	BD	Rated	Idle
Speed (RPM)	0	900	1600	1770	1800
Current (Amps)	63.5	57.0	45.0	9.6	4.5
Torque (ft-lb)	52.0	49.0	72.0	22.3	0.00

Information Block

HP	7.5			
Sync. RPM	1800			
Frame	213			
Enclosure	TEFC			
Construction	TFN			
Voltage	460 V			
Frequency	60 Hz			
Design	B			
LR Code letter	H			
Service Factor	1.15			
Temp Rise @ FL	50 ° C			
Duty	CONT			
Ambient	40 ° C			
Elevation	1,000 feet			
Rotor/Shaft wk ²	0.95 Lb-Ft ²			
Ref Wdg	K2134158 NONE			
Sound Pressure @ 1M	62 dBA			
VFD Rating	CONSTANT 20:1			
Outline Dwg	B-SS84236-875			
Conn. Diag	A-EE7300			
Additional Specifications:				
0				
365THFS8036				
EQUIV CKT (OHMS / PHASE)				
R1	R2	X1	X2	Xm
0.5970	0.4540	2.3440	3.5000	52.1640



Speed - Torque Curve

