

# PRODUCT INFORMATION PACKET

Model No: 213TTFC6501

Catalog No: E396B

XRI®-SD Severe Duty Motor, 7.50 HP, 3 Ph, 60 Hz, 460 V, 3600 RPM, 213T Frame, TEFC



Regal and Marathon are trademarks of Regal Rexnord Corporation or one of its affiliated companies.  
©2024 Regal Rexnord Corporation, All Rights Reserved. MC017097E



### Nameplate Specifications

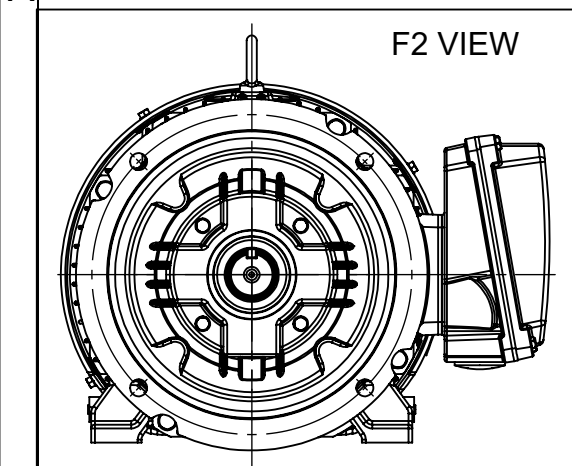
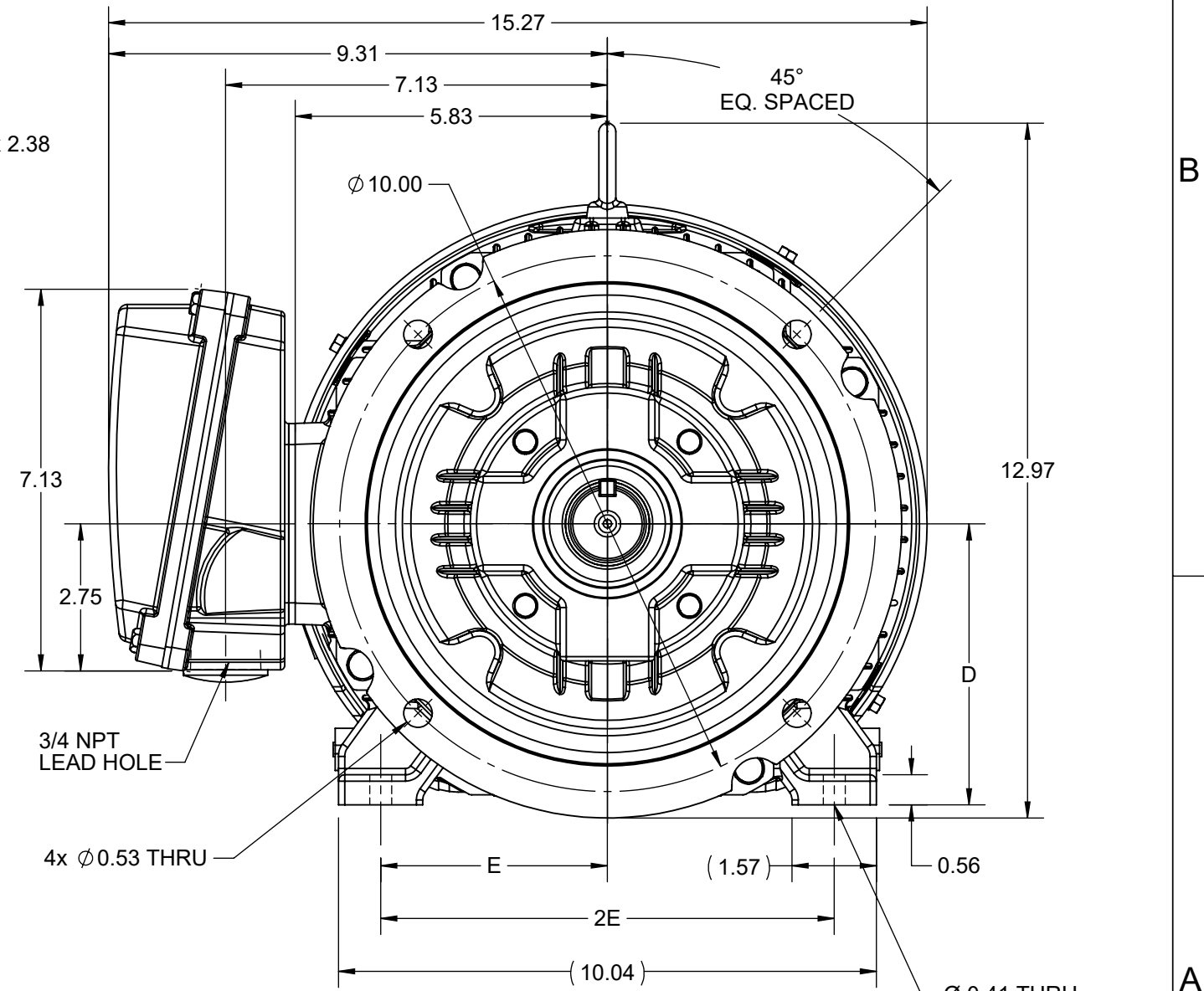
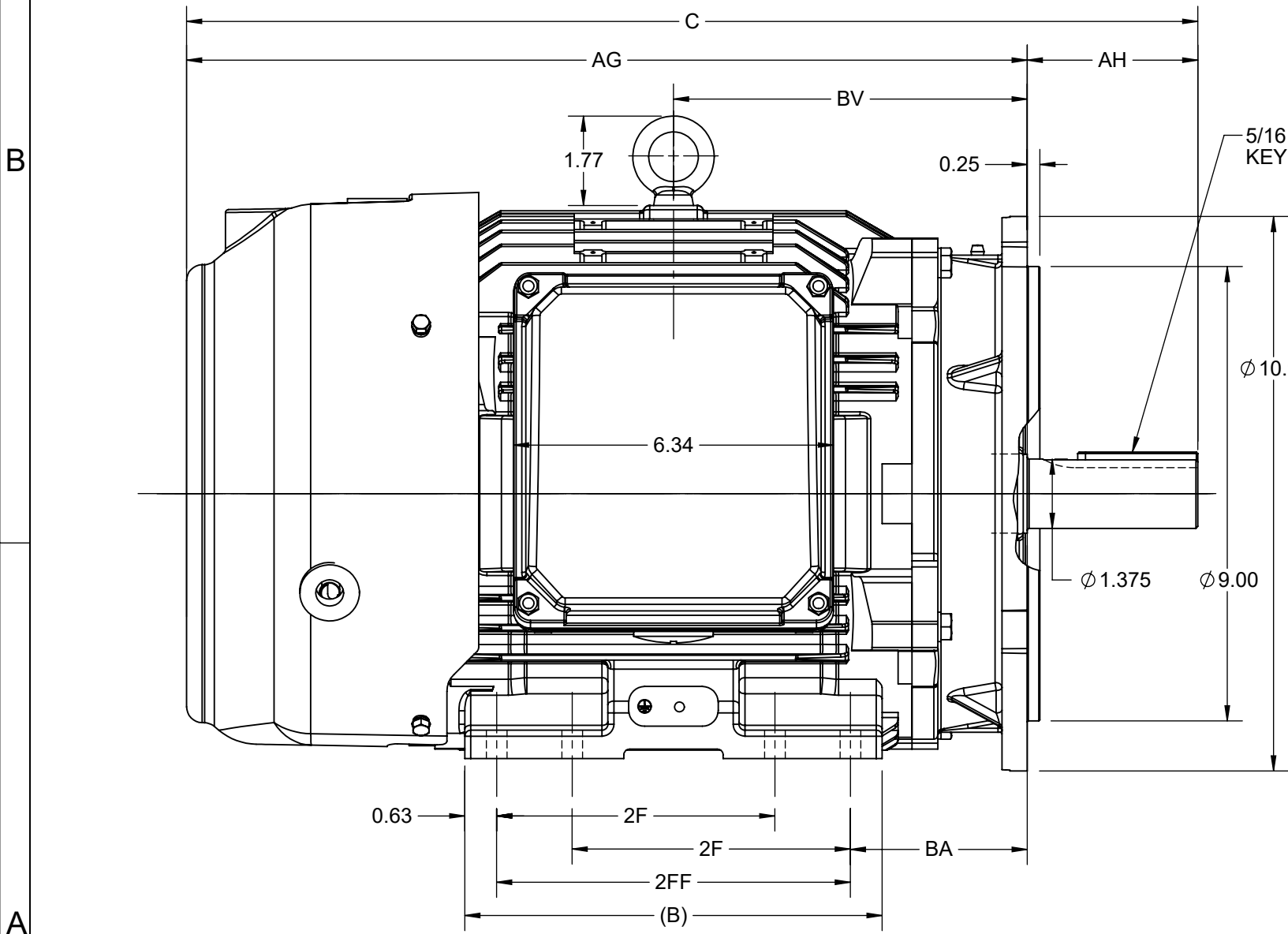
Phase	<b>3</b>	Output HP	<b>7.50 Hp</b>
Output KW	<b>5.6 kW</b>	Voltage	<b>460 V</b>
Speed	<b>3520 rpm</b>	Service Factor	<b>1.15</b>
Frame	<b>213T</b>	Enclosure	<b>Totally Enclosed Fan Cooled</b>
Thermal Protection	<b>No Protection</b>	Efficiency	<b>89.5 %</b>
Ambient Temperature	<b>40 °C</b>	Frequency	<b>60 Hz</b>
Current	<b>9.0 A</b>	Power Factor	<b>86.5</b>
Duty	<b>Continuous</b>	Insulation Class	<b>H</b>
Design Code	<b>B</b>	KVA Code	<b>H</b>
Drive End Bearing Size	<b>6308</b>	Opp Drive End Bearing Size	<b>6208</b>
UL	<b>Listed</b>	CSA	<b>Y</b>
CE	<b>Y</b>	IP Code	<b>55</b>
Number of Speeds	<b>1</b>	Hazardous Location	<b>DIVISION 2 T2B</b>

### Technical Specifications

Electrical Type	<b>Squirrel Cage Inverter Rated</b>	Starting Method	<b>Line Or Inverter</b>
Poles	<b>2</b>	Rotation	<b>Reversible</b>
Resistance Main	<b>1.661 Ohms</b>	Mounting	<b>Rigid Base</b>
Motor Orientation	<b>Horizontal</b>	Drive End Bearing	<b>Ball</b>
Opp Drive End Bearing	<b>Ball</b>	Frame Material	<b>Cast Iron</b>
Shaft Type	<b>T</b>	Shaft Diameter	<b>1.375 in</b>
Assembly/Box Mounting	<b>F1/F2 CAPABLE</b>	Inverter Load	<b>CONSTANT 20:1</b>
Outline Drawing	<b>SS810116-100</b>	Connection Drawing	<b>EE7300</b>

This is an uncontrolled document once printed or downloaded and is subject to change without notice. Date Created:10/28/2024

DASH NO.	B	C	D	E	2E	2F	2FF	AG	AH	BA	BV	MOUNTING	FRAME
100	6.76	18.53	5.25	4.25	8.50	---	5.50	15.15	3.38	3.50	6.26	F1 OR F2	213TD
200	8.26	20.03				5.50	7.00	16.65			7.00		213/215TD



DRAWING REVISION A	REVISION BY RAM	REV DATE/© DATE 29/06/2022
REQUEST NUMBER CR-0009883	APPROVED BY SBD	DATE 29/06/2022
REQUEST NUMBER DESCRIPTION NEW DRAWING RELEASE		
<small>COPYRIGHT (PER REVISION DATE) REGAL BELOIT AMERICA, INC. ALL RIGHTS RESERVED. PROPRIETARY AND CONFIDENTIAL INFORMATION - THIS DOCUMENT IS THE PROPERTY OF REGAL BELOIT AMERICA, INC. ("OWNER") AND CONTAINS OWNER'S PROPRIETARY INFORMATION. ANY PERSON, CORPORATION OR OTHER FIRM RECEIVING IT IS DEEMED, BY RECEIVING IT, TO AGREE THAT IT, AND/OR ANY PART OF IT, SHALL NOT BE DISCLOSED TO ANY PERSON, CORPORATION OR OTHER ENTITY, DUPLICATED, AND/OR USED, EXCEPT AS EXPRESSLY APPROVED IN WRITING IN ADVANCE BY OWNER. THIS DOCUMENT SHALL BE RETURNED TO OWNER UPON REQUEST. IT MAY BE SUBJECT TO CERTAIN RESTRICTIONS UNDER APPLICABLE EXPORT CONTROL LAWS AND REGULATIONS.</small>		

PRIMARY DIMENSIONS ARE INCH  
mm DIMENSIONS IN [BRACKETS]  
ARE FOR REFERENCE ONLY

DRAWN BY RAM	 Regal Beloit America, Inc.
DATE 29/06/2022	
APPROVED BY SBD	DESCRIPTION <b>OUTLINE</b> 213/215TD FR NEMA SD & IEEE841 D-FLANGE KIT
DATE 29/06/2022	MATERIAL
REFERENCE SS810116	PROCESS/FINISH
THIRD ANGLE PROJECTION	SIZE B
	DRAWING NUMBER <b>SS810116B</b>
	SHEET 1 OF 1

THREE PHASE - SINGLE VOLTAGE  
MOTOR - CONDUIT BOX @ 'A'

TERMINAL BLOCK WHEN SPECIFIED

TO REVERSE ROTATION:  
INTERCHANGE ANY TWO LINE  
LEAD CONNECTIONS



VIEW OF TERMINAL END

**OPTIONAL CORD CONNECTION**

L1	WHITE
L2	RED
L3	BLACK

DRAWING REVISION AC	REVISION BY BS	REV DATE/© DATE 26/07/2022
REQUEST NUMBER CR-0010402	APPROVED BY SN	DATE 26/07/2022
REQUEST NUMBER DESCRIPTION DRAWING UPDATED		
<small>COPYRIGHT (PER REVISION DATE) REGAL BELOIT AMERICA, INC. ALL RIGHTS RESERVED. PROPRIETARY AND CONFIDENTIAL INFORMATION - THIS DOCUMENT IS THE PROPERTY OF REGAL BELOIT AMERICA, INC. ("OWNER") AND CONTAINS OWNER'S PROPRIETARY INFORMATION. ANY PERSON, CORPORATION OR OTHER FIRM RECEIVING IT IS DEEMED, BY RECEIVING IT, TO AGREE THAT IT, AND/OR ANY PART OF IT, SHALL NOT BE DISCLOSED TO ANY PERSON, CORPORATION OR OTHER ENTITY, DUPLICATED, AND/OR USED, EXCEPT AS EXPRESSLY APPROVED IN WRITING IN ADVANCE BY OWNER. THIS DOCUMENT SHALL BE RETURNED TO OWNER UPON REQUEST. IT MAY BE SUBJECT TO CERTAIN RESTRICTIONS UNDER APPLICABLE EXPORT CONTROL LAWS AND REGULATIONS.</small>		

PRIMARY DIMENSIONS ARE INCH  
mm DIMENSIONS IN [BRACKETS]  
ARE FOR REFERENCE ONLY

DRAWN BY DA
DATE 03-26-1993
APPROVED BY TB
DATE 03-26-1993
REFERENCE
THIRD ANGLE PROJECTION

		Regal Beloit America, Inc.	
DESCRIPTION <b>CONNECTION DIAGRAM</b> EXTERNAL - SINGLE VOLTAGE - 3Ø MOTOR			
MATERIAL		PROCESS/FINISH	
SIZE <b>A</b>	DRAWING NUMBER <b>EE7300</b>		SHEET 1 OF 1



DATA VOLTS: 460

**CERTIFICATION DATA SHEET**

**CONN. DIAGRAM:** EE7300 **MODEL #:** 213TTFC6501  
**OUTLINE:** SS810116-213T **CAT #:** E396B  
**WINDING:** HE31322011 NONE 1 **MOUNTING:** F1/F2 CAPABLE

**TYPICAL MOTOR PERFORMANCE DATA**

HP	KW	SYNC RPM	FL RPM	FRAME	ENCLOSURE	TYPE	KVA CODE	DESIGN
7.5	5.6	3600	3520	213T	TEFC	TFC	H	B

PH	HZ	VOLTS	AMPS	START TYPE	DUTY	INSL	S.F.	AMB (° C)	ELEV. (Ft)
3	60	460	9.2	LINE OR INVERTER	CONT	H	1.15	40	3300

F.L. EFF	90.3	3/4 LD EFF	89.9	1/2 LD EFF	86.9	GTD EFF	ELECT. TYPE
F.L. PF	84.6	3/4 LD PF	81.9	1/2 LD PF	73.0	88.5	SQ CAGE INV RATED

F.L. TORQUE	LR AMPS @ 460 V	L.R. TORQUE	B.D. TORQUE	F.L. RISE (° C)
11.2 LB-FT	60.0	20.0 LB-FT 179%	32.0 LB-FT 286%	50

SOUND PRESSURE	SOUND	ROTOR WK <sup>2</sup>	MAX. LOAD WK <sup>2</sup>	SAFE STALL TIME	STARTS/HOUR	APROX. MOTOR
72 dBA	81 dBA	0.50 LB-FT <sup>2</sup>	12 LB-FT <sup>2</sup>	20 SEC.	2	156 LB.

**\*\*\* SUPPLEMENTAL INFORMATION \*\*\***

DE BRACKET TYPE	ODE BRACKET TYPE	MOUNT TYPE	MOTOR ORIENTATION	SEVERE DUTY	HAZARDOUS LOCATION	DRIP COVER	SCREENS	PAINT
STANDARD	STANDARD	RIGID	HORIZONTAL	PREMIUM SEVERE DUTY	DIVISION 2 T2B	NO	NONE	BLUE (EPOXY)

BEARINGS		GREASE	SHAFT TYPE	SPECIAL DE	SPECIAL ODE	SHAFT MATERIAL	FRAME MATERIAL
DE	ODE	POLYREX EM	T	NONE	NONE	1144 STRESSPROOF (C-223)	CAST IRON
BALL 6308	BALL 6208						

THERMOSTATS	PROTECTORS	WDG RTD's	BRG RTD's	THERMISTORS	CONTROL	SPACE HEATERS
NONE	NOT	NONE	NONE	NONE	FALSE	NA

R1 (ohms/ph)	R2 (ohms/ph)	X1 (ohms/ph)	X2 (ohms/ph)	Xm (ohms/ph)	VIBRATION (in/sec)
1.036	0.662	2.884	1.652	75.373	0.080

* N O T E S *			If Inverter equals NONE, contact factory for further information INVERTER TORQUE: CONSTANT 20:1 INV. HP SPEED RANGE: NONE
		ENCODER: NONE NONE NONE	
		BRAKE: NONE NONE NONE	

<b>PREPARED BY:</b> ANUSHA M <b>DATE:</b> 3/31/2020	NONE FT-LB: NA VOLTAGE: NONE	NONE NONE NONE	<b>HZ:</b>
--	------------------------------------	----------------------	------------

FORM: 3531 REV\_4 2/27/06  
 \*\* Subject to change without notice.

Data Sheet

Date: 5/6/2020  
 Customer: \_\_\_\_\_  
 Attention: \_\_\_\_\_  
 Submitted by: \_\_\_\_\_



213TTFCD6501

Submittal

Data @ 460 V

Motor Load Data

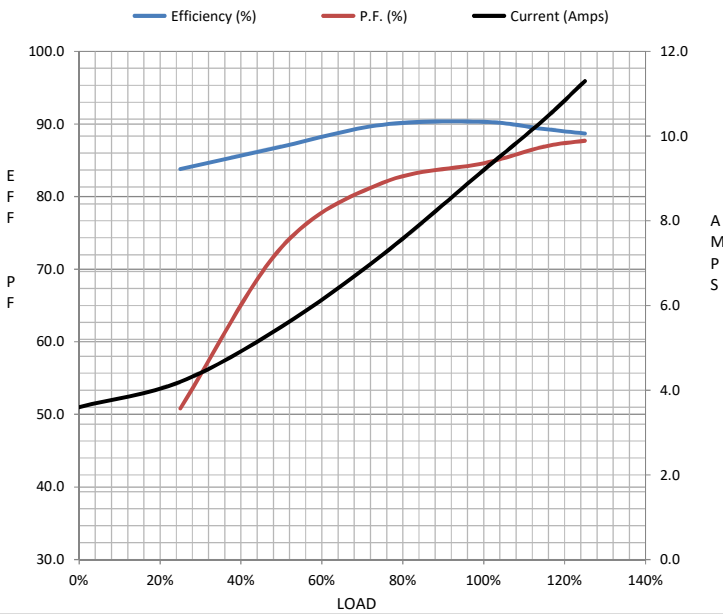
Load	0%	25%	50%	75%	100%	115%	125%	LR
Current (Amps)	3.6	4.2	5.5	7.2	9.2	10.4	11.3	60.0
Torque (ft-lb)	0.00	2.80	5.5	8.4	11.2	12.9	14.1	20.0
RPM	3600	3580	3560	3542	3520	3,508	3498	0
Efficiency (%)		83.8	86.9	89.9	90.3	89.3	88.7	
P.F. (%)	12.2	50.8	73.0	81.9	84.6	86.9	87.7	44.0

Motor Speed Data

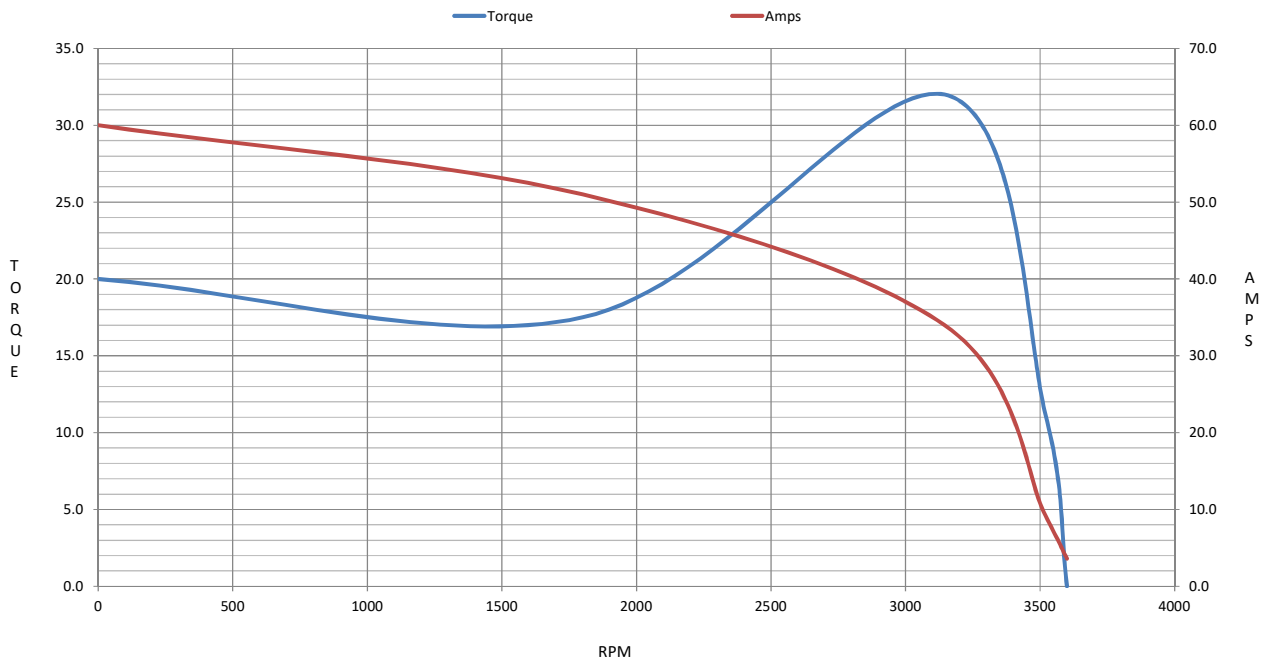
	LR	Pull-Up	BD	Rated	Idle
Speed (RPM)	0	1800	3145	3520	3600
Current (Amps)	60.0	51.0	34.0	9.2	3.6
Torque (ft-lb)	20.0	17.5	32.0	11.2	0.00

Information Block

HP	7.5			
Sync. RPM	3600			
Frame	213			
Enclosure	TEFC			
Construction	TFC			
Voltage	460 V			
Frequency	60 Hz			
Design	B			
LR Code letter	H			
Service Factor	1.15			
Temp Rise @ FL	50 °C			
Duty	CONT			
Ambient	40 °C			
Elevation	3,300 feet			
Rotor/Shaft wk <sup>2</sup>	0.50 Lb-Ft <sup>2</sup>			
Ref Wdg	HE31322011 NONE			
Sound Pressure @ 1M	72 dBA			
VFD Rating	CONSTANT 20:1			
Outline Dwg	SS810116-213T			
Conn. Diag	EE7300			
Additional Specifications:				
0				
0				
EQUIV CKT (OHMS / PHASE)				
R1	R2	X1	X2	Xm
1.0360	0.6620	2.8840	1.6520	75.3730



Speed -Torque Curve



## EC Declaration of Conformity

The undersigned representing  
the manufacturer:

Regal Beloit America  
100 East Randolph St.  
Wausau, WI 54401

and the authorized representative  
established within the Community:

Marathon Electric UK  
6F Thistleton Road Ind. Estate  
Market Overton  
Oakham, Rutland LE15 7PP UK

are committed to providing customers with products that comply with applicable regulations and international protocols to which they are subject, including the requirements of the European Parliament Directive on the Harmonization of the laws relating to electrical equipment designed for use within certain voltage limits (2014/35/EU).

Regal Beloit America declares that the following product(s), to which this declaration relates, are in conformity with the relevant sections of the EC standards listed below.

This statement supersedes any statements previously issued pertaining to the product(s) listed below and is subject to change without notice.

Model No : 213TTFC6501

(Model No. may contain prefix and/or suffix characters)

Catalog No : E396B

Rework No : N/A

Directives :

Low Voltage Directive 2014/35/EU

Harmonized Standards Used :

EN 60034-1: 2010 (IEC 60034-1: 2010)

EN 60034-5: 2001/A1:2007 (IEC 60034-5: 2000/A1:2006)

Authorized Representative:



Michael A. Logsdon  
Vice President, Technology

Authorized Representative in the Community:



Julian Clark  
Marketing Engineer

Created on 09/01/2022

**CE 22**