

PRODUCT INFORMATION PACKET

marathon[®]
Motors

Model No: 213TTFBD6341
Catalog No: K448
Brake Motor

Regal and Marathon are trademarks of Regal Rexnord Corporation or one of its affiliated companies.
©2022 Regal Rexnord Corporation, All Rights Reserved. MC017097E

The logo for Regal Rexnord, featuring a stylized 'R' icon followed by the text 'RegalRexnord'.

Nameplate Specifications

Technical Specifications

Outline Drawing

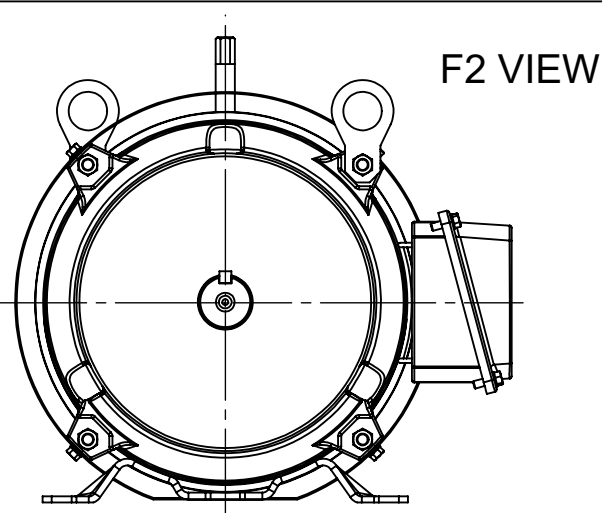
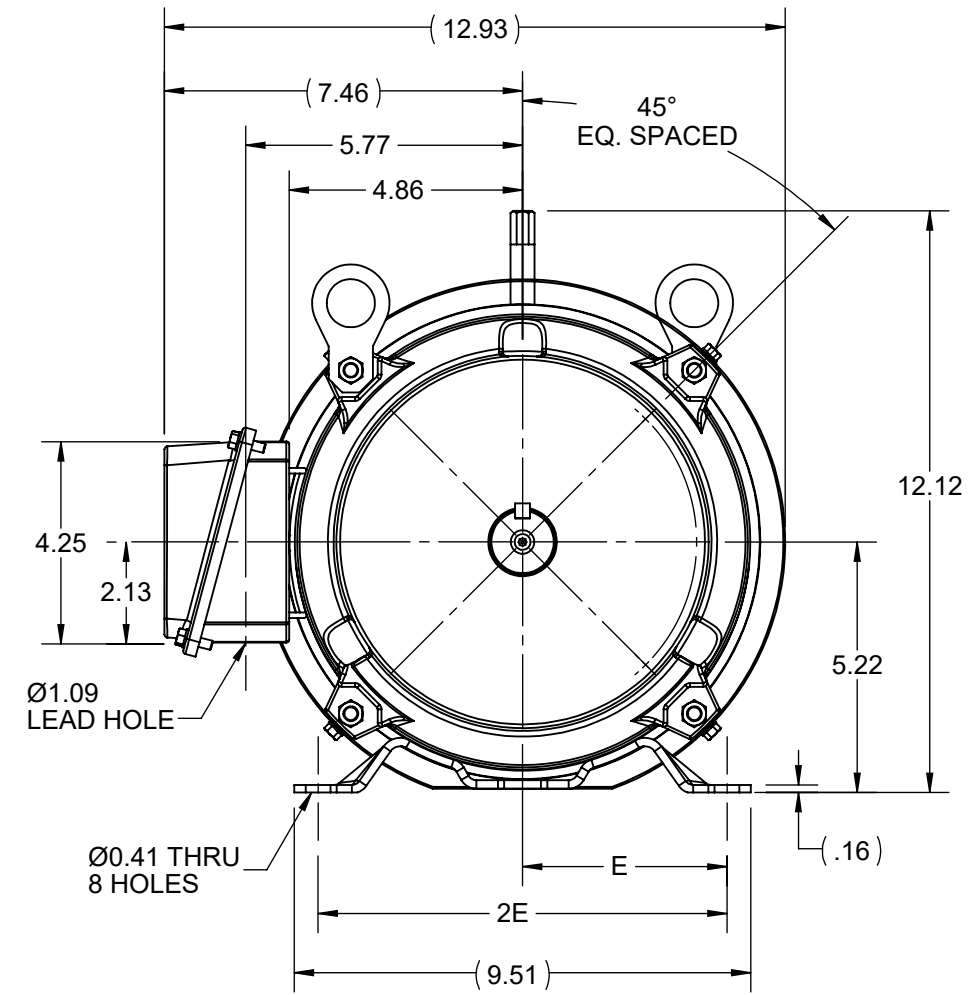
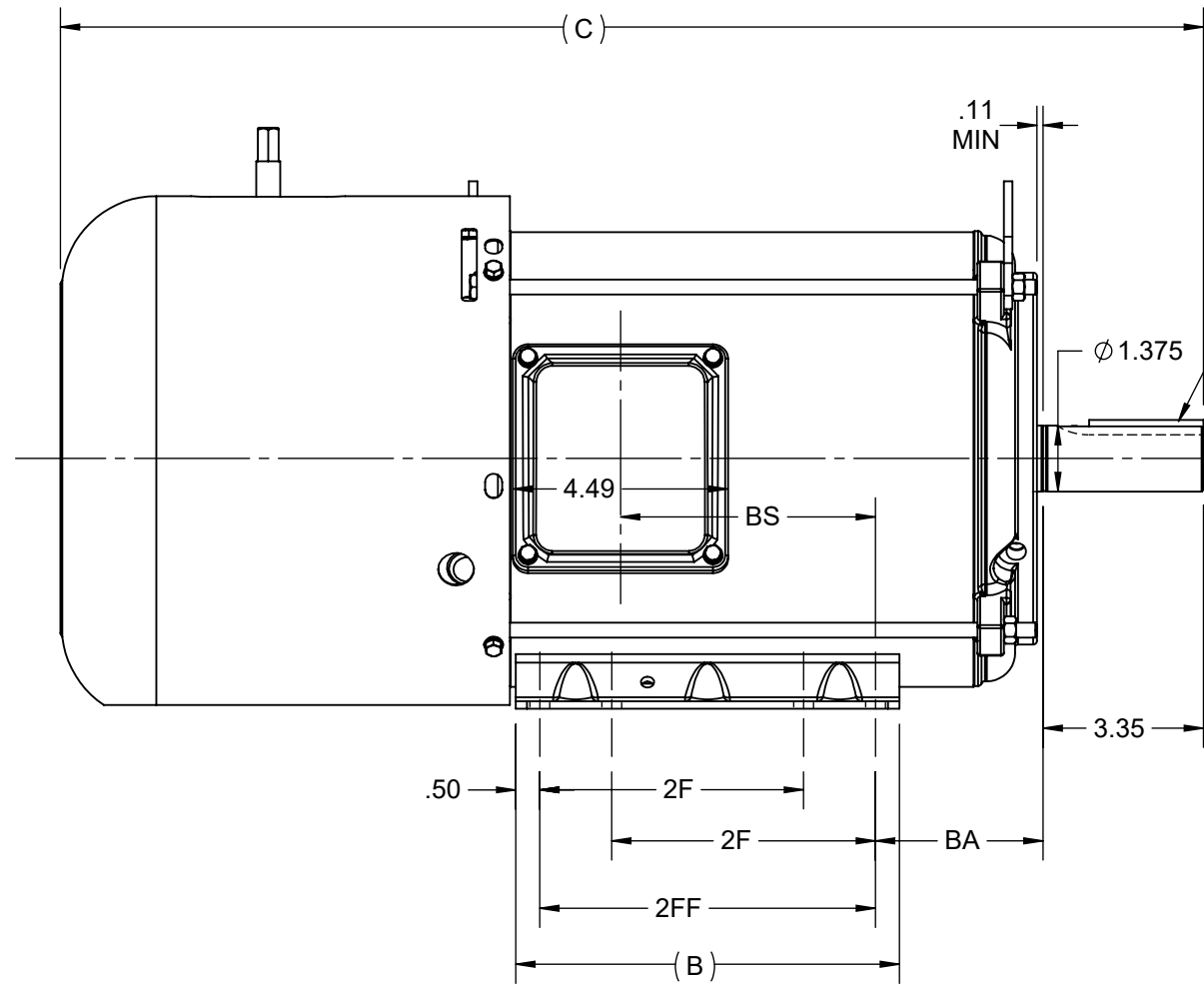
SS621223

Connection Drawing

EE7308

This is an uncontrolled document once printed or downloaded and is subject to change without notice. Date Created:11/30/2022

4								3			2		1
DASH	FRAME	B	C	E	2E	2F	2FF	BA	BS	MOUNTING			
100	213T	8.00	23.85	4.25	8.50	5.50	7.00	3.50	5.43	F1 OR F2			
200	215T		25.35						6.93				



DRAWING REVISION A	REVISION BY GOPI	REV DATE/© DATE 11/11/2021
REQUEST NUMBER CR-0005383	APPROVED BY VR	DATE 11/11/2021
REQUEST NUMBER DESCRIPTION NEW DRAWING RELEASE		
<small>COPYRIGHT (PER REVISION DATE) REGAL BELOIT AMERICA, INC. ALL RIGHTS RESERVED. PROPRIETARY AND CONFIDENTIAL INFORMATION - THIS DOCUMENT IS THE PROPERTY OF REGAL BELOIT AMERICA, INC. ("OWNER") AND CONTAINS OWNER'S PROPRIETARY INFORMATION. ANY PERSON, CORPORATION OR OTHER FIRM RECEIVING IT IS DEEMED, BY RECEIVING IT, TO AGREE THAT IT, AND/OR ANY PART OF IT, SHALL NOT BE DISCLOSED TO ANY PERSON, CORPORATION OR OTHER ENTITY, DUPLICATED, AND/OR USED, EXCEPT AS EXPRESSLY APPROVED IN WRITING IN ADVANCE BY OWNER. THIS DOCUMENT SHALL BE RETURNED TO OWNER UPON REQUEST. IT MAY BE SUBJECT TO CERTAIN RESTRICTIONS UNDER APPLICABLE EXPORT CONTROL LAWS AND REGULATIONS.</small>		

TOLERANCES (EXCEPT AS NOTED):
 DEC. mm INCH ANGLE
 NONE ±3 [±0.1] ±7' 30"
 .X ±0.5 [±0.02]
 .XX ±0.13 [±0.005]
 .XXX ±0.013 [±0.0005]
 REMOVE BURRS & BREAK SHARP EDGES: .08/.38 [.003/.015] X 45°
 CORNER FILLETS: R.5 [.02]
 MACHINED SURFACES: 200 5.1 INCH mm
 INCH DIMENSIONS IN [BRACKETS] ARE FOR REFERENCE ONLY

DRAWN BY GOPI	DATE 11/11/2021
APPROVED BY VR	DATE 11/11/2021
REFERENCE	THIRD ANGLE PROJECTION

REGAL Regal Beloit America, Inc.	
DESCRIPTION OUTLINE 210 FR. - TEFC WITH BRAKE - R/S - C' FACE	
MATERIAL	PROCESS/FINISH
SIZE B	DRAWING NUMBER SS621223
SHEET 1 OF 1	

EE7308

THREE PHASE
DUAL VOLTAGE MOTOR



VIEW OF TERMINAL END

REF.
WINDING DIAGRAM

T8Y, T2Y, T2BL, T4BX, T2EC, T2G
T6BZ, T2B, T6BL, T4AV, T6B, T4B

OPTIONAL CORD
CONNECTION

L1 — WHITE
L2 — RED
L3 — BLACK

NO.	REVISION	BY & DATE	CHK	ANG	TOLERANCES UNLESS SPECIFIED		FINISH	DRAWN RM 11/20/1990				
					DEC.	INCHES						
5	CHG TO REGAL LOGO	SL 09/10/2015	AB					CHK ML 11/21/1990				
4	REVISED IEC NOTATIONS	MSG 11/15/2011	CMN	.X	±.1			APPD SAS 04/24/2003				
3	ADDED IEC NOTATIONS... (U1), (V1) ETC. MU95194	MSG 5/10/2010	MJS	.XX	±.02			SCALE 1=1				
2	ADDED THE OPTIONAL CORD CONNECTION MU46318	RDH 04/24/2003	DRS	.XXX	±.005		TITLE CONNECTION DIAGRAM 3Ø - DUAL VOLTAGE MOTOR	REF				
1	REDRAWN	RM 11/20/1990		.XXXX	±.0005		MAT'L.	FMF				
					±7'30"			PREV				
THIS DRAWING IN DESIGN AND DETAIL IS OUR PROPERTY AND MUST NOT BE USED EXCEPT IN CONNECTION WITH OUR WORK ALL RIGHTS OF DESIGN AND INVENTION ARE RESERVED THIS IS AN ELECTRONICALLY GENERATED DOCUMENT - DO NOT SCALE THIS PRINT							RFP	CAD FILE ee7308	SIZE A	DRAWING NO. EE7308	PAGE OF 5	REV. 5
							DIST WP					



Regal Beloit America, Inc.