

# PRODUCT INFORMATION PACKET



Model No: 213TTFBD16038  
Catalog No: C412  
Brake Motor

Regal and Marathon are trademarks of Regal Rexnord Corporation or one of its affiliated companies.  
©2022 Regal Rexnord Corporation, All Rights Reserved. MC017097E



## Nameplate Specifications

## Technical Specifications

Connection Drawing

EE7308

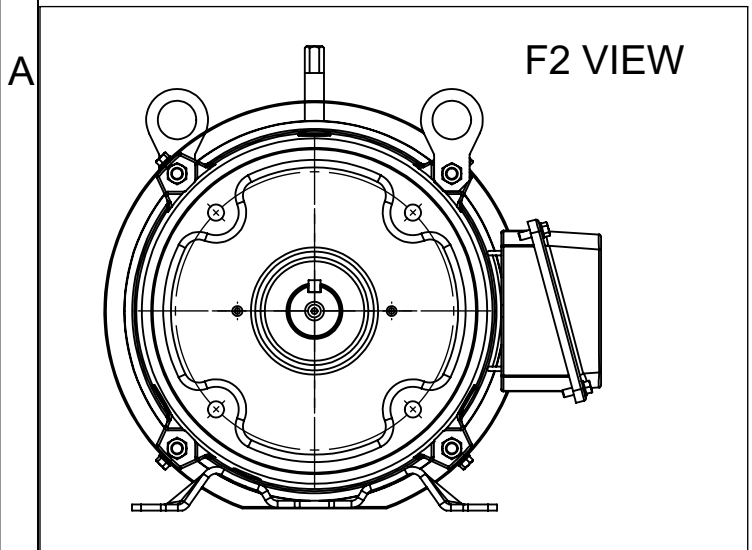
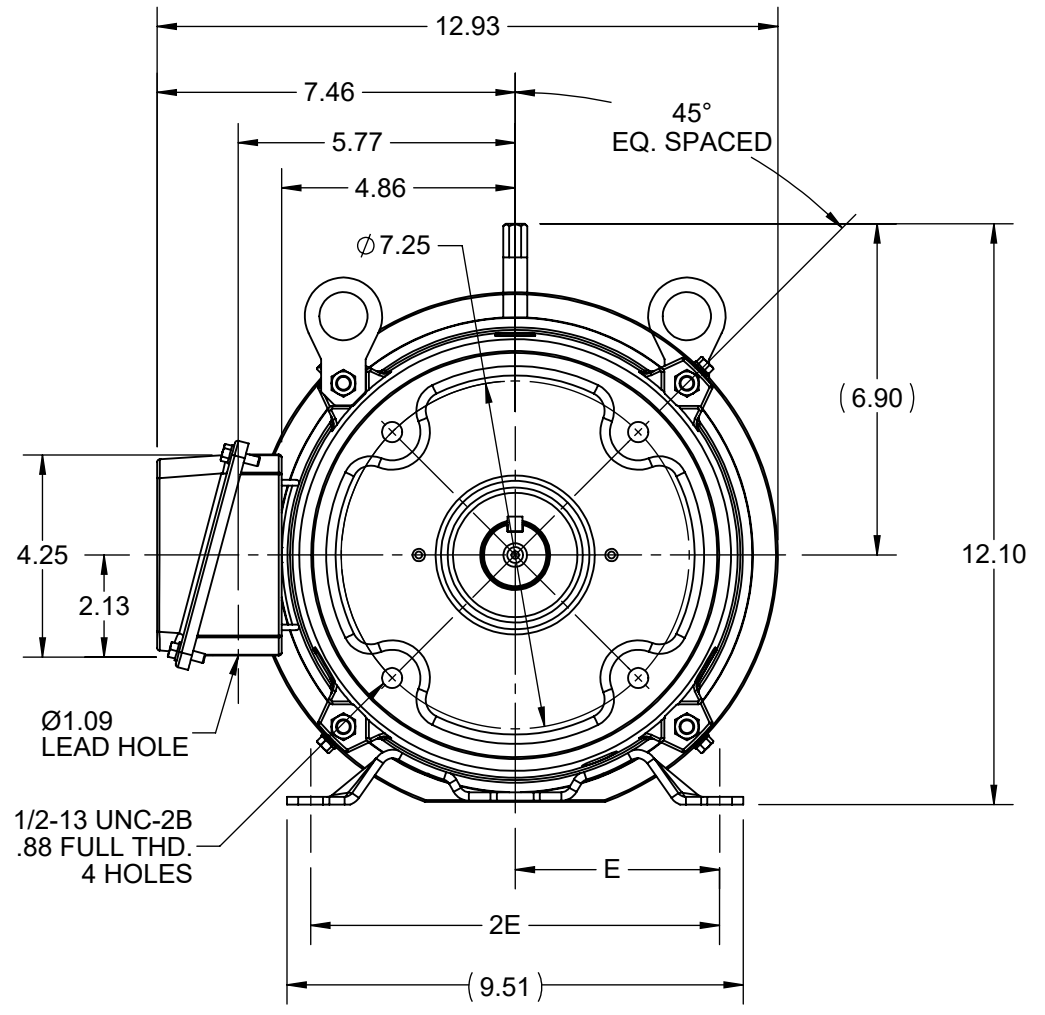
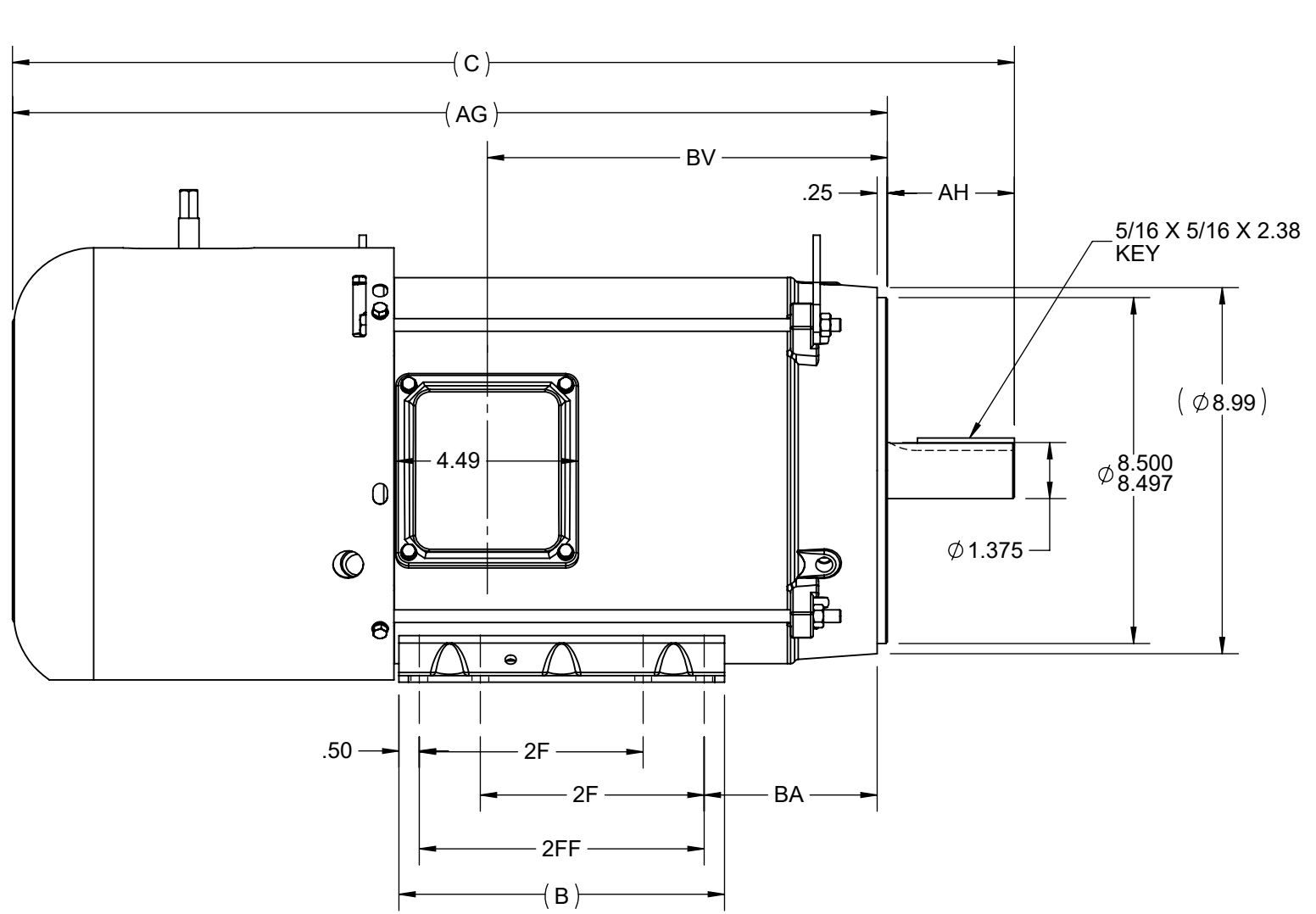
Outline Drawing

SS621221

---

This is an uncontrolled document once printed or downloaded and is subject to change without notice. Date Created:11/30/2022

4								3				2		1	
DASH	FRAME	B	C	E	2E	2F	2FF	AG	AH	BA	BV	MOUNTING			
100	213TC	8.00	24.62	4.25	8.50	5.50	7.00	21.50	3.12	4.25	9.94	F1 OR F2			
200	215TC		26.12					23.00			11.44				



DRAWING REVISION A	REVISION BY GOPI	REV DATE/© DATE 11/11/2021	TOLERANCES (EXCEPT AS NOTED):		DRAWN BY GOPI	<b>REGAL</b> ® Regal Beloit America, Inc.
REQUEST NUMBER CR-0005383	APPROVED BY VR	DATE 11/11/2021	DEC. mm	INCH ANGLE	DATE 11/11/2021	
REQUEST NUMBER DESCRIPTION NEW DRAWING RELEASE			NONE ±3 [±0.1] ±7' 30"		APPROVED BY VR	DESCRIPTION <b>OUTLINE</b>
COPYRIGHT (PER REVISION DATE) REGAL BELOIT AMERICA, INC. ALL RIGHTS RESERVED. PROPRIETARY AND CONFIDENTIAL INFORMATION - THIS DOCUMENT IS THE PROPERTY OF REGAL BELOIT AMERICA, INC. ("OWNER") AND CONTAINS OWNER'S PROPRIETARY INFORMATION. ANY PERSON, CORPORATION OR OTHER FIRM RECEIVING IT IS DEEMED, BY RECEIVING IT, TO AGREE THAT IT, AND/OR ANY PART OF IT, SHALL NOT BE DISCLOSED TO ANY PERSON, CORPORATION OR OTHER ENTITY, DUPLICATED, AND/OR USED, EXCEPT AS EXPRESSLY APPROVED IN WRITING IN ADVANCE BY OWNER. THIS DOCUMENT SHALL BE RETURNED TO OWNER UPON REQUEST. IT MAY BE SUBJECT TO CERTAIN RESTRICTIONS UNDER APPLICABLE EXPORT CONTROL LAWS AND REGULATIONS.			REMOVE BURRS & BREAK SHARP EDGES: .08/.38 [.003/.015] X 45°		DATE 11/11/2021	210 FR. - TEFC WITH BRAKE - R/S - C' FACE
			CORNER FILLETS: R.5 [.02]		REFERENCE	MATERIAL
			MACHINED SURFACES: 200 INCH 5.1 mm		THIRD ANGLE PROJECTION	SHEET 1 OF 1
			INCH DIMENSIONS IN [BRACKETS] ARE FOR REFERENCE ONLY		SIZE B	DRAWING NUMBER SS621221

EE7308

THREE PHASE  
DUAL VOLTAGE MOTOR



VIEW OF TERMINAL END

REF.  
WINDING DIAGRAM

T8Y, T2Y, T2BL, T4BX, T2EC, T2G  
T6BZ, T2B, T6BL, T4AV, T6B, T4B

OPTIONAL CORD  
CONNECTION

L1 — WHITE  
L2 — RED  
L3 — BLACK

NO.	REVISION	BY & DATE	CHK	ANG	TOLERANCES UNLESS SPECIFIED		FINISH	DRAWN RM 11/20/1990				
					DEC.	INCHES						
5	CHG TO REGAL LOGO	SL 09/10/2015	AB					CHK ML 11/21/1990				
4	REVISED IEC NOTATIONS	MSG 11/15/2011	CMN	.X	±.1			APPD SAS 04/24/2003				
3	ADDED IEC NOTATIONS... (U1), (V1) ETC. MU95194	MSG 5/10/2010	MJS	.XX	±.02		TITLE CONNECTION DIAGRAM	SCALE 1=1				
2	ADDED THE OPTIONAL CORD CONNECTION MU46318	RDH 04/24/2003	DRS	.XXX	±.005		3Ø - DUAL VOLTAGE MOTOR	REF				
1	REDRAWN	RM 11/20/1990		.XXXX	±.0005		MAT'L.	FMF				
					±7'30"			PREV				
THIS DRAWING IN DESIGN AND DETAIL IS OUR PROPERTY AND MUST NOT BE USED EXCEPT IN CONNECTION WITH OUR WORK ALL RIGHTS OF DESIGN AND INVENTION ARE RESERVED THIS IS AN ELECTRONICALLY GENERATED DOCUMENT - DO NOT SCALE THIS PRINT							RFP	CAD FILE ee7308	SIZE A	DRAWING NO. EE7308	PAGE OF 5	REV. 5
							DIST WP					

