

PRODUCT INFORMATION PACKET

Model No: 213TTDWD16333

Catalog No: E168A

Close-Coupled Pump Motor, 7.50 & 5 HP, 3 Ph, 60 & 50 Hz, 230/460 & 190/380 V, 1800 & 1500 RPM,
213JMV Frame, DP



Regal and Marathon are trademarks of Regal Rexnord Corporation or one of its affiliated companies.

©2023 Regal Rexnord Corporation, All Rights Reserved. MC017097E

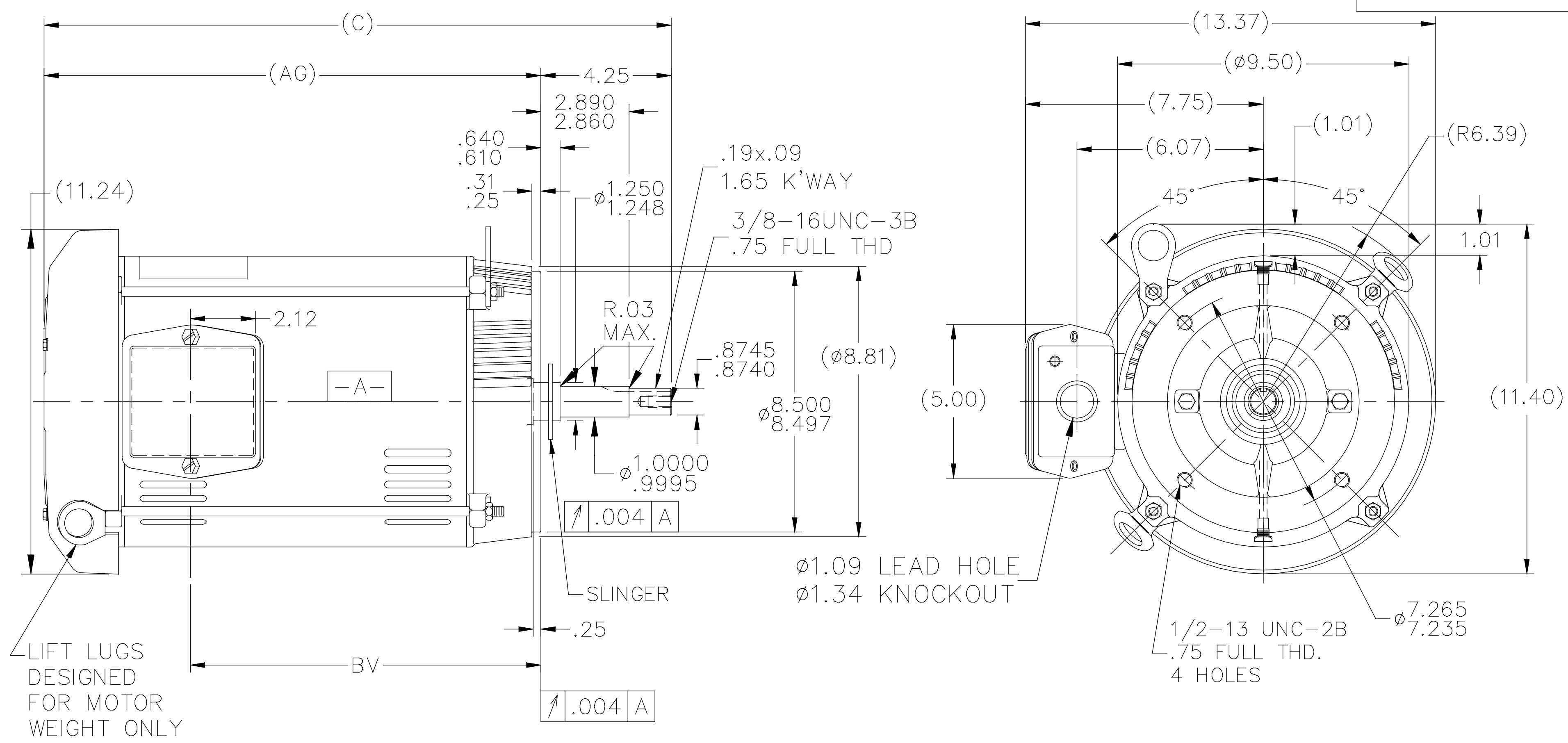
Nameplate Specifications

Phase	3	Output HP	7.50 & 5 Hp
Output KW	5.6 & 3.7 kW	Voltage	230/460 & 190/380 V
Speed	1765 & 1470 rpm	Service Factor	1.15 & 1.15
Frame	213JMV	Enclosure	Drip Proof
Thermal Protection	No Protection	Efficiency	91 & 91 %
Ambient Temperature	40 °C	Frequency	60 & 50 Hz
Current	20/10 & 16.4/8.2 A	Power Factor	77.1
Duty	Continuous	Insulation Class	F
Design Code	B	KVA Code	H
Drive End Bearing Size	6309	Opp Drive End Bearing Size	6206
UL	Recognized	CSA	Y
CE	Y	IP Code	12
Number of Speeds	1		

Technical Specifications

Electrical Type	Squirrel Cage Induction Run	Starting Method	Across The Line
Poles	4	Rotation	Reversible
Resistance Main	1.56 Ohms	Mounting	Round
Motor Orientation	Shaft Down	Drive End Bearing	Ball
Opp Drive End Bearing	Ball	Frame Material	Rolled Steel
Shaft Type	JM	Overall Length	20.44 in
Frame Length	11.15 in	Shaft Diameter	0.875 in
Shaft Extension	4.25 in	Assembly/Box Mounting	F1/F2 Capable
Outline Drawing	SS86596-1115	Connection Drawing	005010.01

SS86596



DASH	FR.	C	AG	BV
965	213JM	18.94	14.69	9.93
1115	213/15JM	20.44	16.19	11.43
1240	213/15JM	21.69	17.44	12.68

NOTES:

1. NAMEPLATE TO BE READ FROM SHAFT EXT. END OF MOTOR.
2. BOX CAN BE MOUNTED IN 90° STEPS.

NO.	REVISION	BY & DATE	CHK	ANG	±7'30"
6	TITLE BLOCK LOGO CHANGE PER ECO-0078542	MDV 06/09/2015			
5	UPDATED DRAWING	TJW 04/30/2007			
4	REDRAWN IN AUTOCAD	TAT 07-06-2004	ML	.X	±.1
3	UPDATED DRIP COVER GEOMETRY CN 29200-433	DRS 01-25-2002		.XX	±.03
2	UPDATED C' BOX GEOMETRY CN 28425	DRS 01-31-2001		.XXX	±.005
1	NEW DRAWING - DES/DEV	DA 04-02-1996		.XXXX	±.0005

TOLERANCES UNLESS SPECIFIED	
DEC.	INCHES
ML	.X ±.1
	.XX ±.03
	.XXX ±.005
	.XXXX ±.0005



Regal Beloit America, Inc.

TITLE OUTLINE - C' FACE
210JM FR. - DR. PR.

MAT'L.

FINISH

DRAWN	DA 03 26 1996
CHK	ML 04-01-1996
APPD	DN 04-01-1996
SCALE	1=5
REF	
FMF	
PREV	

THIS DRAWING IN DESIGN AND DETAIL IS OUR PROPERTY AND MUST NOT BE USED EXCEPT IN CONNECTION WITH OUR WORK ALL RIGHTS OF DESIGN AND INVENTION ARE RESERVED THIS IS AN ELECTRONICALLY GENERATED DOCUMENT - DO NOT SCALE THIS PRINT

RFP
DIST LB

CAD FILE ss86596

SIZE	DRAWING NO.	PAGE	OF	REV.
A	SS86596			6

005010-01

VIEW FROM OUTSIDE OF MOTOR AT SWITCH END.



VOLTAGE	L1	L2	L3	JOIN & INSULATE
HIGH	T1	T2	T3	(T4,T7) (T5,T8) (T6,T9)
LOW	T1,T7	T2,T8	T3,T9	T4,T5,T6

				TOLERANCES UNLESS SPECIFIED		REGAL ™ Regal Beloit America, Inc.		DRAWN RDW 04/12/02		
				DEC.	INCHES			CHK		
				.X	±.1			APPD		
				.XX	±.01			SCALE 1=1		
				.XXX	±.005	TITLE		REF FIG.2-51		
A	UPDATED TO REGAL LOGO	SAJ 06/26/15	AJY	.XXXX	±.0005	MAT'L.		FMF		
NO.	REVISION	BY & DATE	CHK	ANG	±1/2"	FINISH		PREV		
THIS DRAWING IN DESIGN AND DETAIL IS OUR PROPERTY AND MUST NOT BE USED EXCEPT IN CONNECTION WITH OUR WORK ALL RIGHTS OF DESIGN AND INVENTION ARE RESERVED THIS IS AN ELECTRONICALLY GENERATED DOCUMENT - DO NOT SCALE THIS PRINT				RFP	04/12/02	CAD FILE		SIZE	DRAWING NO.	REV.
				DIST	BRF-NLV			A	005010-01	A

CERTIFICATION DATA SHEET

Model#: 213TTDWD16333 AA **WINDING#:** K2134278 NONE 2
CONN. DIAGRAM: 005010.01 **ASSEMBLY:** F1/F2 CAPABLE
OUTLINE: SS86596-1115

TYPICAL MOTOR PERFORMANCE DATA

HP	KW	SYNC. RPM	F.L. RPM	FRAME	ENCLOSURE	KVA CODE	DESIGN
7 1/2&5	5.60&3.70	1800	1765&1470	213JMV	DP	H	B

PH	Hz	VOLTS	FL AMPS	START TYPE	DUTY	INSL	S.F	AMB°C	ELEVATION
3	60/50	230/460#190/ 380	20/10&16.4/8. 2	ACROSS THE LINE	CONTINUOU S	F4	1.15/1.15	40	3300

FULL LOAD EFF: 91&91	3/4 LOAD EFF: 91	1/2 LOAD EFF: 89.9	GTD. EFF	ELEC. TYPE	NO LOAD AMPS
FULL LOAD PF: 77.1&75	3/4 LOAD PF: 71.3	1/2 LOAD PF: 58.1	89.5	SQ CAGE IND RUN	10.6 / 5.3

F.L. TORQUE	LOCKED ROTOR AMPS	L.R. TORQUE	B.D. TORQUE	F.L. RISE°C
22.3 LB-FT	122 / 61	45.3 LB-FT 203	66.1 LB-FT 296	35

SOUND PRESSURE @ 3 FT.	SOUND POWER	ROTOR WK^2	MAX. WK^2	SAFE STALL TIME	STARTS /HOUR	APPROX. MOTOR WGT
66 dBA	76 dBA	0.85 LB-FT^2	50 LB-FT^2	20 SEC.	2	125 LBS.

***** SUPPLEMENTAL INFORMATION *****

DE BRACKET TYPE	ODE BRACKET TYPE	MOUNT TYPE	ORIENTATION	SEVERE DUTY	HAZARDOUS LOCATION	DRIP COVER	SCREENS	PAINT
C-FACE	STANDARD	ROUND	SHAFT DOWN	FALSE	NONE	TRUE	NONE	BLUE (ENAMEL)

BEARINGS		GREASE	SHAFT TYPE	SPECIAL DE	SPECIAL ODE	SHAFT MATERIAL	FRAME MATERIAL
DE	OPE						
BALL	BALL	POLYREX EM	JM	NONE	NONE	AISI 1045 (C-240)	ROLLED STEEL
6309	6206						

THERMO-PROTECTORS				THERMISTORS	CONTROL	SPACE /n HEATERS
THERMOSTATS	PROTECTORS	WDG RTDs	BRG RTDs			
NONE	NOT	NONE	NONE	NONE	FALSE	NONE VOLTS

If Inverter equals NONE, contact factory for further information

INVERTER TORQUE: NONE
INV. HP SPEED RANGE: NONE
ENCODER: NONE
NONE NONE
NONE NONE PPR
BRAKE: NONE NONE
NONE P/N NONE
NONE NONE
NONE FT-LB NONE V NONE Hz

*
N
O
T
E
S
*

DATE: 06/22/2017 05:06:08 AM
 FORM 3531 REV.3 02/07/99
 ** Subject to change without notice.

Data Sheet

Date: 19-06-2017
 Customer: _____
 Attention: _____
 Submitted by: FAREEDA DUDEKULA



213TTDWD16333

Submittal

Data @ 460 V

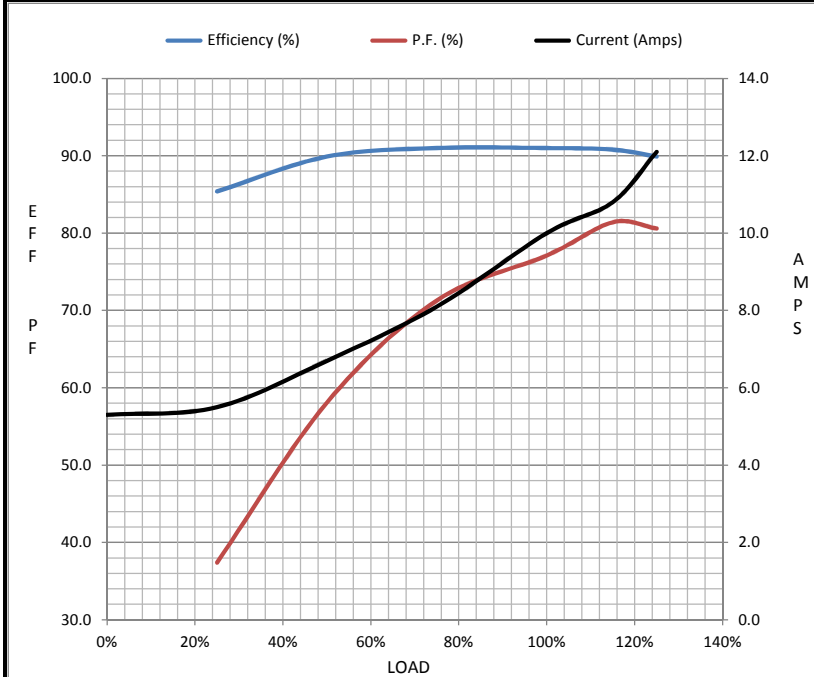
Motor Load Data

Load	0%	25%	50%	75%	100%	115%	125%	LR
Current (Amps)	5.3	5.5	6.7	8.1	10.0	10.8	12.1	61.0
Torque (ft-lb)	0.00	5.5	11.0	16.6	22.3	25.5	28.0	45.3
RPM	1800	1792	1784	1775	1765	1,755	1748	0
Efficiency (%)		85.4	89.9	91.0	91.0	90.8	89.9	
P.F. (%)	5.2	37.4	58.1	71.3	77.1	81.4	80.6	44.8

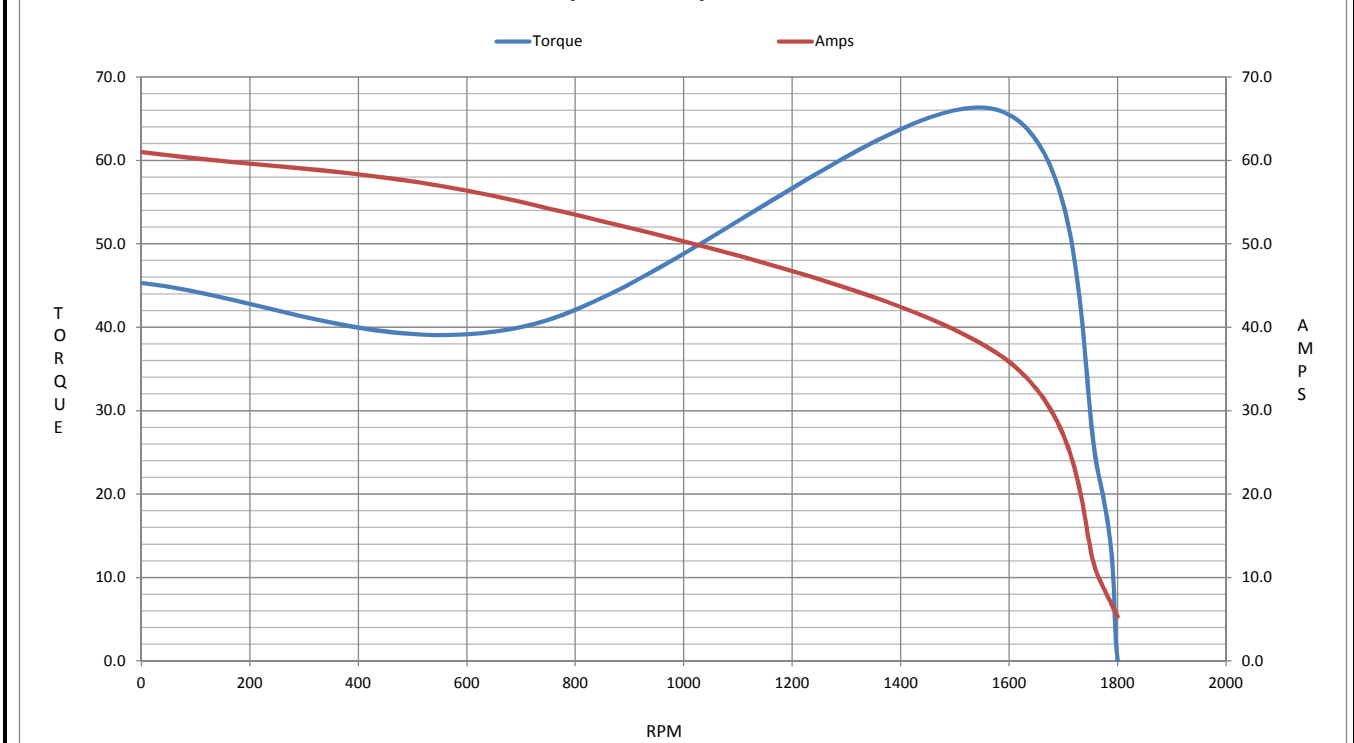
Motor Speed Data

	LR	Pull-Up	BD	Rated	Idle
Speed (RPM)	0	700	1575	1765	1800
Current (Amps)	61.0	55.0	37.0	10.0	5.3
Torque (ft-lb)	45.3	40.0	66.1	22.3	0.00

Information Block				
HP	7.5			
Sync. RPM	1800			
Frame	213			
Enclosure	DP			
Construction	TDW			
Voltage	230/460#190/38(V)			
Frequency	60 Hz			
Design	B			
LR Code letter	H			
Service Factor	1.15			
Temp Rise @ FL	35 ° C			
Duty	CONT			
Ambient	40 ° C			
Elevation	1,000 feet			
Rotor/Shaft wk ²	0.85 Lb-Ft ²			
Ref Wdg	K2134278 NONE			
Sound Pressure @ 1M	66 dBA			
VFD Rating	NONE			
Outline Dwg	SS86596-1115			
Conn. Diag	005010.01			
Additional Specifications:				
0				
365THFS8036				
EQUIV CKT (OHMS / PHASE)				
R1	R2	X1	X2	Xm
0.7600	0.5590	2.6080	3.6970	57.4560



Speed - Torque Curve



EC Declaration of Conformity

The undersigned representing
the manufacturer:

Regal Beloit America
100 East Randolph St.
Wausau, WI 54401

and the authorized representative
established within the Community:

Marathon Electric UK
6F Thistleton Road Ind. Estate
Market Overton
Oakham, Rutland LE15 7PP UK

are committed to providing customers with products that comply with applicable regulations and international protocols to which they are subject, including the requirements of the European Parliament Directive on the Harmonization of the laws relating to electrical equipment designed for use within certain voltage limits (2014/35/EU).

Regal Beloit America declares that the following product(s), to which this declaration relates, are in conformity with the relevant sections of the EC standards listed below.

This statement supersedes any statements previously issued pertaining to the product(s) listed below and is subject to change without notice.

Model No : 213TTDWD16333

(Model No. may contain prefix and/or suffix characters)

Catalog No : E168A

Rework No : N/A

Directives :

Low Voltage Directive 2014/35/EU

Harmonized Standards Used :

EN 60034-1: 2010 (IEC 60034-1: 2010)

EN 60034-5: 2001/A1:2007 (IEC 60034-5: 2000/A1:2006)

Authorized Representative:



Michael A. Logsdon
Vice President, Technology

Authorized Representative in the Community:



Julian Clark
Marketing Engineer

Created on 09/01/2022

CE 22