

PRODUCT INFORMATION PACKET

Model No: 213TTDW7089

Catalog No: M802

Other Purpose Motor, 3 HP, 3 Ph, 60 Hz, 230/460 V, 1200 RPM, 213HPV Frame, DP

Regal and are trademarks of Regal Rexnord Corporation or one of its affiliated companies.
©2022 Regal Rexnord Corporation, All Rights Reserved. MC017097E



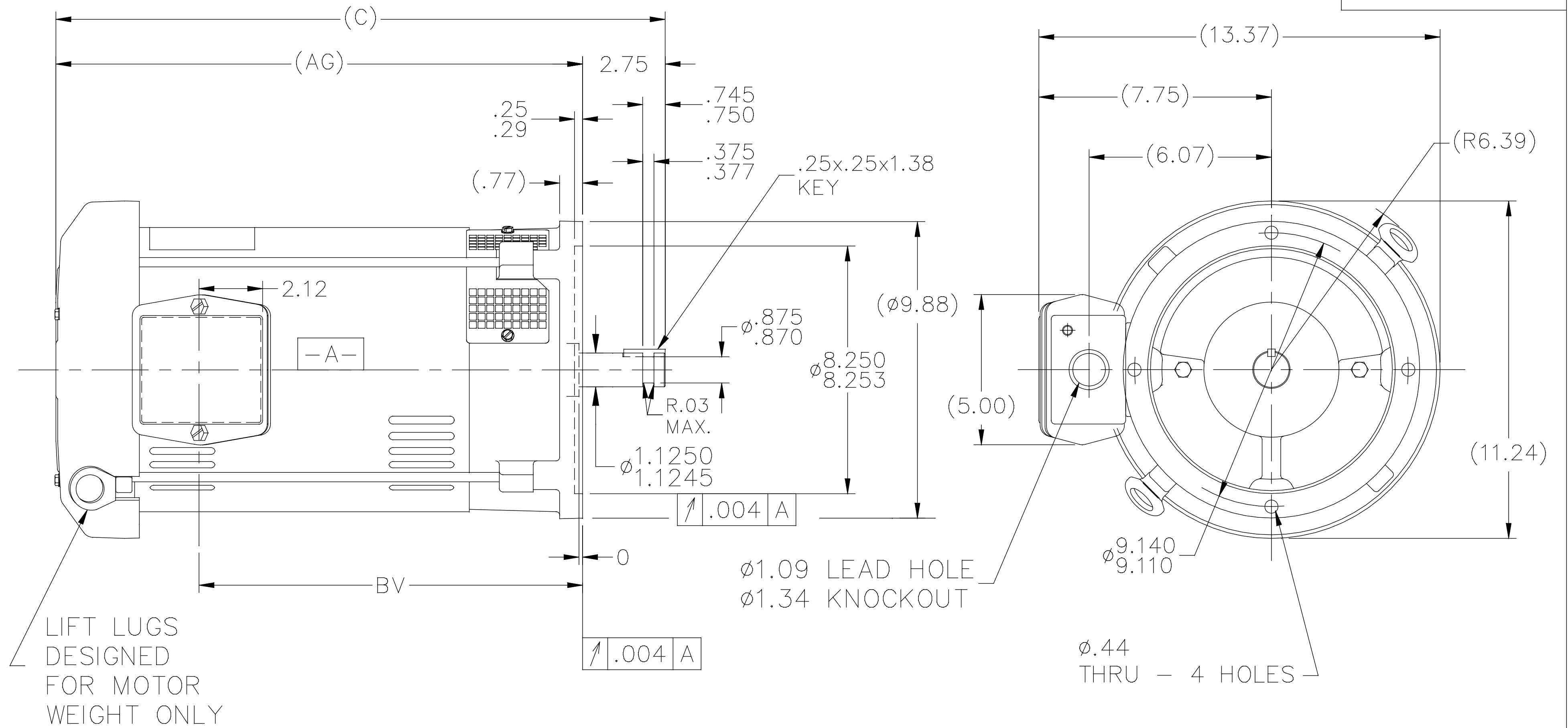
Nameplate Specifications

Output HP	3 Hp	Output KW	2.2 kW
Frequency	60 Hz	Voltage	230/460 V
Current	10.0/5.0 A	Speed	1160 rpm
Service Factor	1.15	Phase	3
Efficiency	82.5 %	Power Factor	67
Duty	Continuous	Insulation Class	B
Design Code	B	KVA Code	J
Frame	213HPV	Enclosure	Drip Proof
Thermal Protection	No Protection	Ambient Temperature	40 °C
Drive End Bearing Size	6309	Opp Drive End Bearing Size	6206
UL	Recognized	CSA	Y
CE	Y	IP Code	22
Number of Speeds	1		

Technical Specifications


Electrical Type	Squirrel Cage Induction Run	Starting Method	Across The Line
Poles	6	Rotation	Reversible
Resistance Main	5.45 Ohms	Mounting	Round
Motor Orientation	Shaft Down	Drive End Bearing	Ball
Opp Drive End Bearing	Ball	Frame Material	Rolled Steel
Shaft Type	HP	Overall Length	18.80 in
Frame Length	9.65 in	Shaft Diameter	1.125 in
Shaft Extension	2.75 in	Assembly/Box Mounting	F1/F2 CAPABLE
Connection Drawing	A-EE7308	Outline Drawing	A-SS86651-965

SS86651



DASH	FR.	C	AG	BV
965	213HP	18.80	16.05	11.28
1115	213/15HP	20.30	17.55	12.78
1240	213/15HP	21.55	18.80	14.03

- NOTES:
 1. NAMEPLATE TO BE READ FROM SHAFT EXT. END OF MOTOR.
 2. BOX CAN BE MOUNTED IN 90° STEPS.

NO.		REVISION	BY & DATE	CHK	ANG	TOLERANCES UNLESS SPECIFIED	 Regal Beloit America, Inc.	DRAWN PGK 06-10-1997				
						DEC. INCHES		CHK	ML	DR	SCALE	
5		REGAL LOGO ADDED.	SYED 10/09/2015			.X ±.1	TITLE OUTLINE - P' BASE 210HP FR. - DR.PR. MAT'L. FINISH	APPD	DR	06-24-1997	1=5	
4		UPDATED DRAWING	TJW 04/30/2007			.XX ±.03		REF				
3		REDRAWN IN AUTOCAD	TAT 07-22-2004	ML		.XXX ±.005		FMF				
2		UPDATED C'BOX GEOMETRY	DRS 01-12-2000			.XXXX ±.0005		PREV				
1		NEW DRAWING	PGK 07-07-1997			±7'30"						
THIS DRAWING IN DESIGN AND DETAIL IS OUR PROPERTY AND MUST NOT BE USED EXCEPT IN CONNECTION WITH OUR WORK ALL RIGHTS OF DESIGN AND INVENTION ARE RESERVED THIS IS AN ELECTRONICALLY GENERATED DOCUMENT - DO NOT SCALE THIS PRINT				RFP		CAD FILE	ss86651	SIZE	DRAWING NO.	PAGE	OF	REV.
				DIST	LB			A	SS86651			5

EE7308

THREE PHASE
DUAL VOLTAGE MOTOR



VIEW OF TERMINAL END

REF.
WINDING DIAGRAM

T8Y, T2Y, T2BL, T4BX, T2EC, T2G
T6BZ, T2B, T6BL, T4AV, T6B, T4B

OPTIONAL CORD
CONNECTION

L1 — WHITE
L2 — RED
L3 — BLACK

NO.	REVISION	BY & DATE	CHK	ANG	TOLERANCES UNLESS SPECIFIED		FINISH	DRAWN RM 11/20/1990				
					DEC.	INCHES						
5	CHG TO REGAL LOGO	SL 09/10/2015	AB					CHK ML 11/21/1990				
4	REVISED IEC NOTATIONS	MSG 11/15/2011	CMN	.X	±.1			APPD SAS 04/24/2003				
3	ADDED IEC NOTATIONS... (U1), (V1) ETC. MU95194	MSG 5/10/2010	MJS	.XX	±.02		TITLE CONNECTION DIAGRAM	SCALE 1=1				
2	ADDED THE OPTIONAL CORD CONNECTION MU46318	RDH 04/24/2003	DRS	.XXX	±.005		3Ø - DUAL VOLTAGE MOTOR	REF				
1	REDRAWN	RM 11/20/1990		.XXXX	±.0005		MAT'L.	FMF				
					±7'30"			PREV				
THIS DRAWING IN DESIGN AND DETAIL IS OUR PROPERTY AND MUST NOT BE USED EXCEPT IN CONNECTION WITH OUR WORK ALL RIGHTS OF DESIGN AND INVENTION ARE RESERVED THIS IS AN ELECTRONICALLY GENERATED DOCUMENT - DO NOT SCALE THIS PRINT							RFP	CAD FILE ee7308	SIZE A	DRAWING NO. EE7308	PAGE OF 5	REV. 5
							DIST WP					

