

PRODUCT INFORMATION PACKET

marathon[®]
Motors

Model No: 213TTDW7047

Catalog No: M321A

General Purpose Motor, 7.50 & 5 HP, 3 Ph, 60 & 50 Hz, 208-230/460 & 190/380 V, 1800 & 1500 RPM,
213JM Frame, DP

Regal and Marathon are trademarks of Regal Rexnord Corporation or one of its affiliated companies.

©2023 Regal Rexnord Corporation, All Rights Reserved. MC017097E

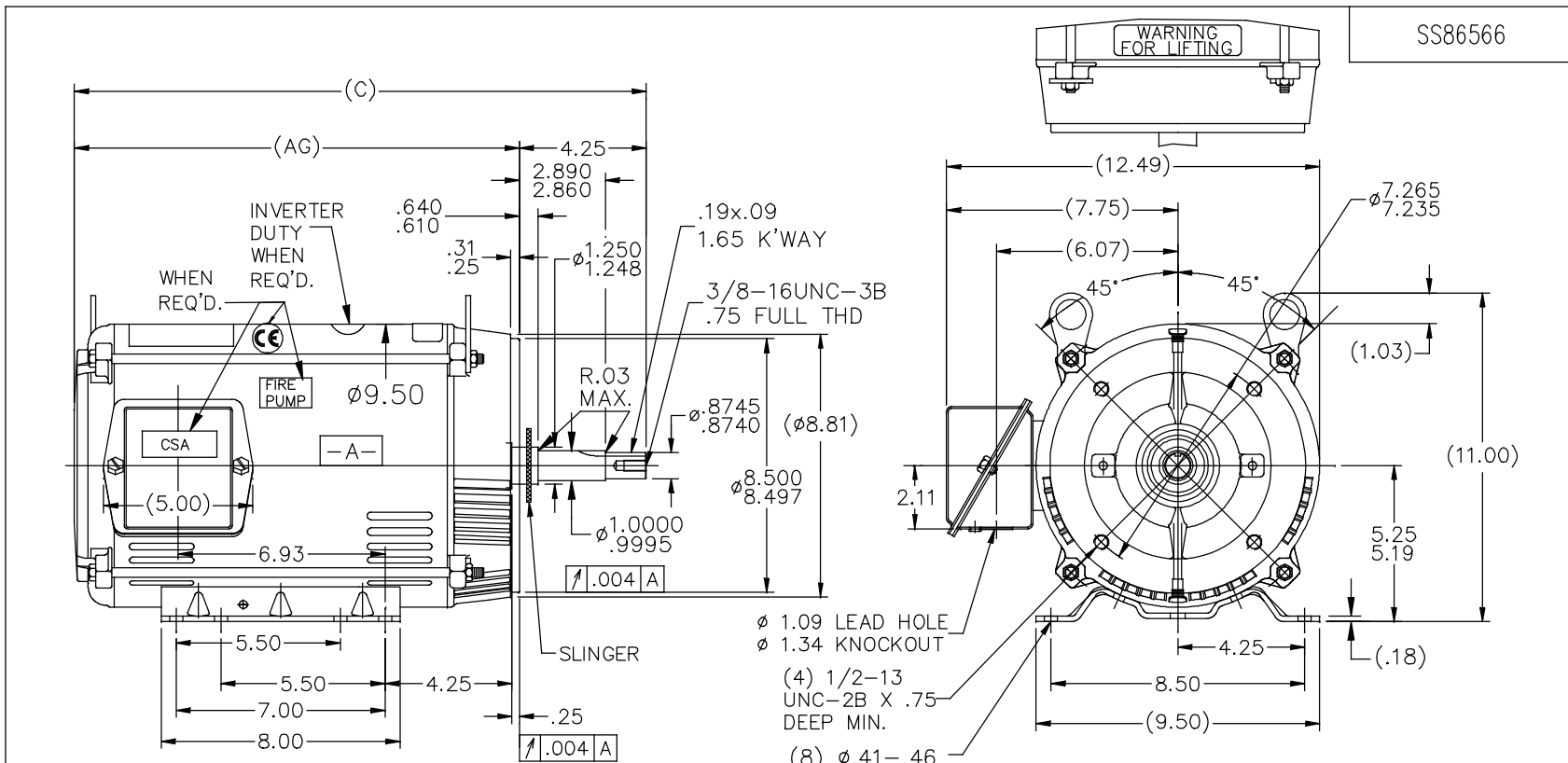
RegalRexnord

Nameplate Specifications

Phase	3	Output HP	7.50 & 5 Hp
Output KW	5.6 & 3.7 kW	Voltage	208-230/460 & 190/380 V
Speed	1745 & 1460 rpm	Service Factor	1.15 & 1.15
Frame	213JM	Enclosure	Drip Proof
Thermal Protection	No Protection	Efficiency	84 & 85.5 %
Ambient Temperature	40 °C	Frequency	60 & 50 Hz
Current	22-21.6/10.8 & 17.6/8.8 A	Power Factor	78
Duty	Continuous	Insulation Class	F
Design Code	B	KVA Code	H
Drive End Bearing Size	6309	Opp Drive End Bearing Size	6206
UL	Recognized	CSA	Y
CE	Y	IP Code	22
Number of Speeds	1		

Technical Specifications

Electrical Type	Squirrel Cage Induction Run	Starting Method	Across The Line
Poles	4	Rotation	Reversible
Resistance Main	2.32 Ohms	Mounting	Rigid Base
Motor Orientation	Horizontal	Drive End Bearing	Ball
Opp Drive End Bearing	Ball	Frame Material	Rolled Steel
Shaft Type	JM	Overall Length	17.66 in
Frame Length	9.65 in	Shaft Diameter	0.875 in
Shaft Extension	4.28 in	Assembly/Box Mounting	F1/F2 CAPABLE
Connection Drawing	A-EE7308	Outline Drawing	A-SS86566-965




SS86566

WARNING FOR LIFTING

DASH	FR.	C	AG	BS	MOUNTING
965	213JM	17.66	13.41	5.43	
1115	213/15JM	19.16	14.91	6.93	
1240	213/15JM	20.41	16.16	8.18	F1 ONLY

- NOTES:
1. NAMEPLATE TO BE READ FROM C'BOX SIDE OF MOTOR.
 2. BOX CAN BE MOUNTED IN 90° STEPS.
 3. BOX CAN BE MOUNTED ON OPPOSITE SIDE BY REMOVING BRACKETS AND TURNING FRAME 180°. (EXCEPT AS NOTED)

8	ADDED INVERTER LOGO	MVG 01/24/2018	MVG	TOLERANCES UNLESS SPECIFIED	 Regal Beloit America, Inc.	DRAWN KL 12-23-1994	
7	TITLE BLOCK LOGO CHANGE PER ECO-0078542	MDV 06/09/2015		DEC. INCHES		CHK ML 12-23-1994	
6	ø.8745/.8740 WAS ø.8750/.8745 ECN #21254	WGJ 08/03/2011	EMH	.X ±.1		APPD DRN 12-23-1994	
5	UPDATED DRAWING	TJW 04/27/2007		.XX ±.03	TITLE OUTLINE	SCALE 1=5	
4	REDRAWN IN AUTOCAD	TAT 07-06-2004	ML	.XXX ±.005	210JM FR.-BB-TS-DR.PR.-C' FACE	REF	
3	UPDATED C' BOX GEOMETRY CN 28425	DRS 04-16-2001		.XXXX ±.0005	MAT'L.	FMF	
NO.	REVISION	BY & DATE	CHK	ANG ±7°30"	FINISH	PREV	
THIS DRAWING IN DESIGN AND DETAIL IS OUR PROPERTY AND MUST NOT BE USED EXCEPT IN CONNECTION WITH OUR WORK ALL RIGHTS OF DESIGN AND INVENTION ARE RESERVED THIS IS AN ELECTRONICALLY GENERATED DOCUMENT - DO NOT SCALE THIS PRINT			RFP	CAD FILE ss86566	SIZE A	DRAWING NO. SS86566	PAGE OF 8
			DIST LB				REV. 8

EE7308

THREE PHASE
DUAL VOLTAGE MOTOR



VIEW OF TERMINAL END

REF.
WINDING DIAGRAM

T8Y, T2Y, T2BL, T4BX, T2EC, T2G
T6BZ, T2B, T6BL, T4AV, T6B, T4B

OPTIONAL CORD
CONNECTION

L1 — WHITE
L2 — RED
L3 — BLACK

NO.	REVISION	BY & DATE	CHK	ANG	TOLERANCES UNLESS SPECIFIED		FINISH	DRAWING NO.	PAGE	OF	REV.
					DEC.	INCHES					
5	CHG TO REGAL LOGO	SL 09/10/2015	AB					EE7308			
4	REVISED IEC NOTATIONS	MSG 11/15/2011	CMN	.X	±.1						
3	ADDED IEC NOTATIONS... (U1), (V1) ETC. MU95194	MSG 5/10/2010	MJS	.XX	±.02						
2	ADDED THE OPTIONAL CORD CONNECTION MU46318	RDH 04/24/2003	DRS	.XXX	±.005						
1	REDRAWN	RM 11/20/1990		.XXXX	±.0005						
					±7'30"						
THIS DRAWING IN DESIGN AND DETAIL IS OUR PROPERTY AND MUST NOT BE USED EXCEPT IN CONNECTION WITH OUR WORK ALL RIGHTS OF DESIGN AND INVENTION ARE RESERVED THIS IS AN ELECTRONICALLY GENERATED DOCUMENT - DO NOT SCALE THIS PRINT							RFP	CAD FILE ee7308	SIZE A	DRAWING NO. EE7308	PAGE 5
							DIST WP				

REGAL™ Regal Beloit America, Inc.

TITLE CONNECTION DIAGRAM
3Ø - DUAL VOLTAGE MOTOR

DRAWN RM 11/20/1990
CHK ML 11/21/1990
APPD SAS 04/24/2003
SCALE 1=1
REF
FMF
PREV