

PRODUCT INFORMATION PACKET

marathon[®]
Motors

Model No: 213TTDW7021

Catalog No: C106

Other Purpose Motor, 10 & 7.50 HP, 3 Ph, 60 & 50 Hz, 208-230/460 & 190/380 V, 3600 & 3000 RPM,
213TC Frame, DP

Regal and Marathon are trademarks of Regal Rexnord Corporation or one of its affiliated companies.

©2023 Regal Rexnord Corporation, All Rights Reserved. MC017097E

RegalRexnord

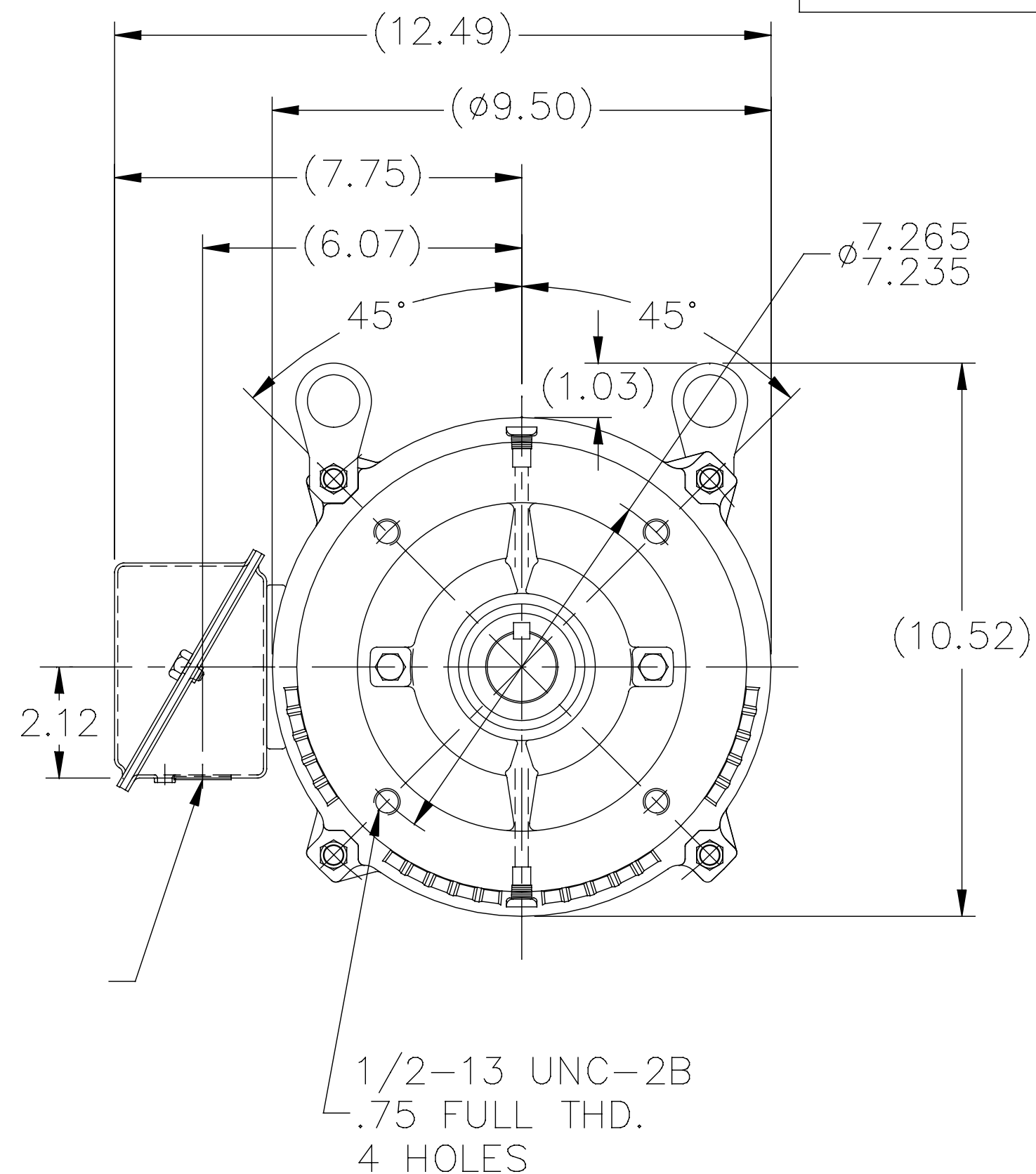
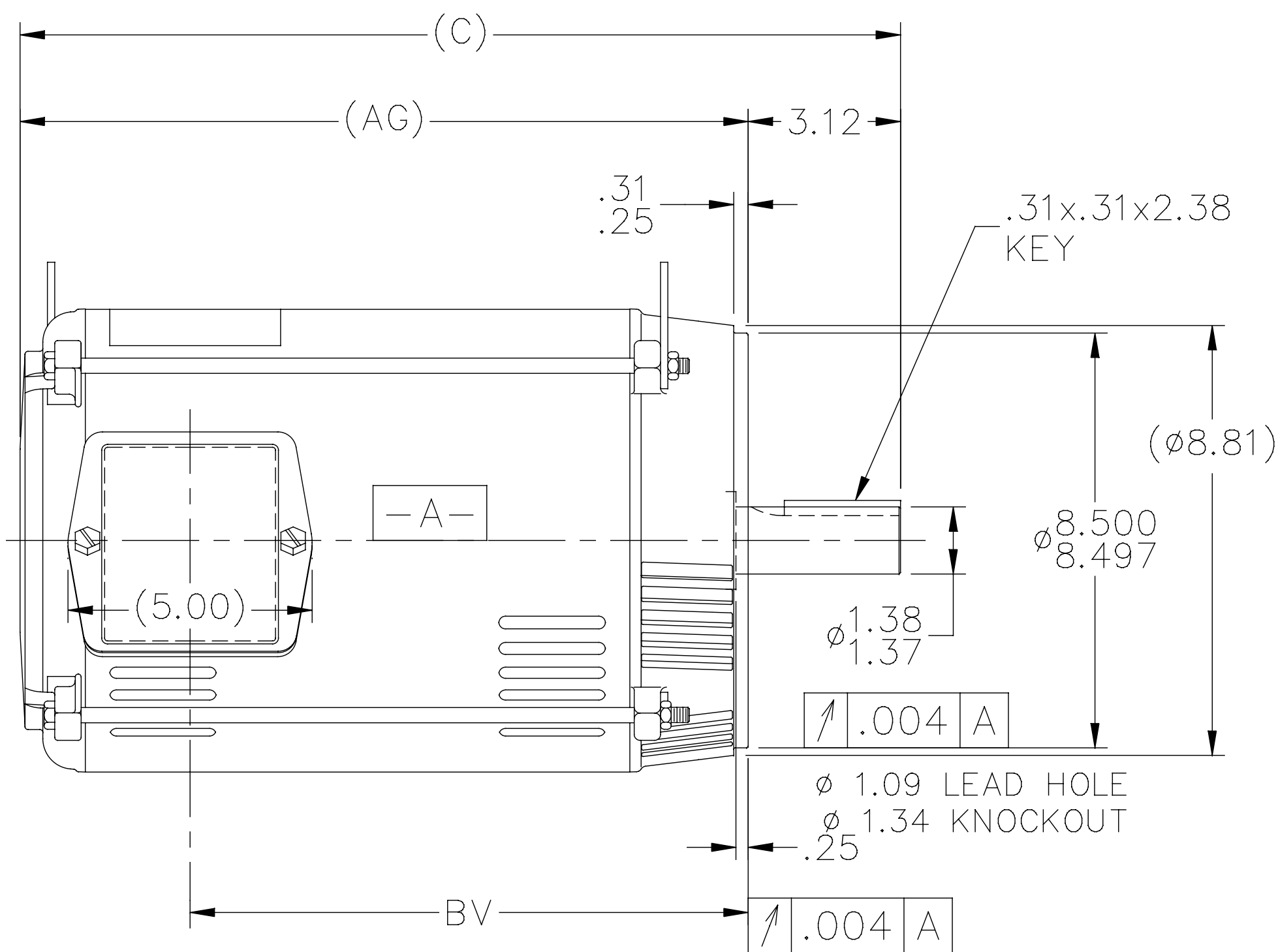
Nameplate Specifications

Phase	3	Output HP	10 & 7.50 Hp
Output KW	7.5 & 5.6 kW	Voltage	208-230/460 & 190/380 V
Speed	3470 & 2875 rpm	Service Factor	1.15 & 1.15
Frame	213TC	Enclosure	Drip Proof
Thermal Protection	No Protection	Efficiency	85.5 & 84 %
Ambient Temperature	40 °C	Frequency	60 & 50 Hz
Current	25-25/12.5 & 23/11.5 A	Power Factor	87
Duty	Continuous	Insulation Class	B
Design Code	B	KVA Code	G
Drive End Bearing Size	6309	Opp Drive End Bearing Size	6206
UL	Recognized	CSA	Y
CE	Y	IP Code	22
Number of Speeds	1		

Technical Specifications

Electrical Type	Squirrel Cage Induction Run	Starting Method	Across The Line
Poles	2	Rotation	Reversible
Resistance Main	2.1 Ohms	Mounting	Round
Motor Orientation	Horizontal	Drive End Bearing	Ball
Opp Drive End Bearing	Ball	Frame Material	Rolled Steel
Shaft Type	T	Overall Length	16.53 in
Frame Length	9.65 in	Shaft Diameter	1.375 in
Shaft Extension	3.38 in	Assembly/Box Mounting	F1/F2 CAPABLE
Connection Drawing	A-EE7308	Outline Drawing	A-SS86595-965

SS86595



DASH	FR.	C	AG	BV	MOUNTING
965	213T	16.53	13.41	9.93	
1115	213/15T	18.03	14.91	11.43	
1240	213/15T	19.28	16.16	12.68	

- NOTES:
 1. NAMEPLATE TO BE READ FROM C'BOX SIDE OF MOTOR.
 2. BOX CAN BE MOUNTED IN 90° STEPS.

NO.	REVISION	BY & DATE	CHK	ANG	TOLERANCES UNLESS SPECIFIED	FINISH	PREV
5	REDRAWN WITH REGAL LOGO	SR 17-07-2015					DRAWN DA 03-26-1996
4	REDRAWN IN AUTOCAD	TAT 06-29-2004	ML	DEC.	INCHES		CHK ML 04-01-1996
3	UPDATED C' BOX GEOMETRY	CN 28425 DRS 01-31-2000	SR	.X	±.1		APPD DN 04-01-1996
2	REMOVED NOTE: "C' BOX CAN BE MOUNTED ON OPPOSITE SIDE OF MOTOR"	CN 23925-495 MJD 09-02-1999		.XX	±.03	TITLE OUTLINE	SCALE 1=5
1	NEW DRAWING - DES/DEV	DA 04-02-1996		.XXX	±.005	210T FR. - BB - TS - DR.PR. - C' FACE	REF
				.XXXX	±.0005	MAT'L.	FMF
				±7'30"			
THIS DRAWING IN DESIGN AND DETAIL IS OUR PROPERTY AND MUST NOT BE USED EXCEPT IN CONNECTION WITH OUR WORK ALL RIGHTS OF DESIGN AND INVENTION ARE RESERVED THIS IS AN ELECTRONICALLY GENERATED DOCUMENT - DO NOT SCALE THIS PRINT			RFP	CAD FILE	ss86595	SIZE	DRAWING NO. PAGE OF REV.
			DIST	LB		A	SS86595 5



EE7308

THREE PHASE
DUAL VOLTAGE MOTOR



VIEW OF TERMINAL END

REF.
WINDING DIAGRAM

T8Y, T2Y, T2BL, T4BX, T2EC, T2G
T6BZ, T2B, T6BL, T4AV, T6B, T4B

OPTIONAL CORD
CONNECTION

L1 — WHITE
L2 — RED
L3 — BLACK

NO.	REVISION	BY & DATE	CHK	ANG	TOLERANCES UNLESS SPECIFIED		FINISH	DRAWN RM 11/20/1990				
					DEC.	INCHES						
5	CHG TO REGAL LOGO	SL 09/10/2015	AB					CHK ML 11/21/1990				
4	REVISED IEC NOTATIONS	MSG 11/15/2011	CMN	.X	±.1			APPD SAS 04/24/2003				
3	ADDED IEC NOTATIONS... (U1), (V1) ETC. MU95194	MSG 5/10/2010	MJS	.XX	±.02			SCALE 1=1				
2	ADDED THE OPTIONAL CORD CONNECTION MU46318	RDH 04/24/2003	DRS	.XXX	±.005		TITLE CONNECTION DIAGRAM 3Ø - DUAL VOLTAGE MOTOR	REF				
1	REDRAWN	RM 11/20/1990		.XXXX	±.0005		MAT'L.	FMF				
					±7'30"			PREV				
THIS DRAWING IN DESIGN AND DETAIL IS OUR PROPERTY AND MUST NOT BE USED EXCEPT IN CONNECTION WITH OUR WORK ALL RIGHTS OF DESIGN AND INVENTION ARE RESERVED THIS IS AN ELECTRONICALLY GENERATED DOCUMENT - DO NOT SCALE THIS PRINT							RFP	CAD FILE ee7308	SIZE A	DRAWING NO. EE7308	PAGE OF 5	REV. 5
							DIST WP					

