

PRODUCT INFORMATION PACKET

Model No: 213TTDW4044

Catalog No: U182

7.5 HP Close-Coupled Pump Motor, 3 phase, 1800 RPM, 200 V, 213JP Frame, ODP
Close-Coupled Pump Motors



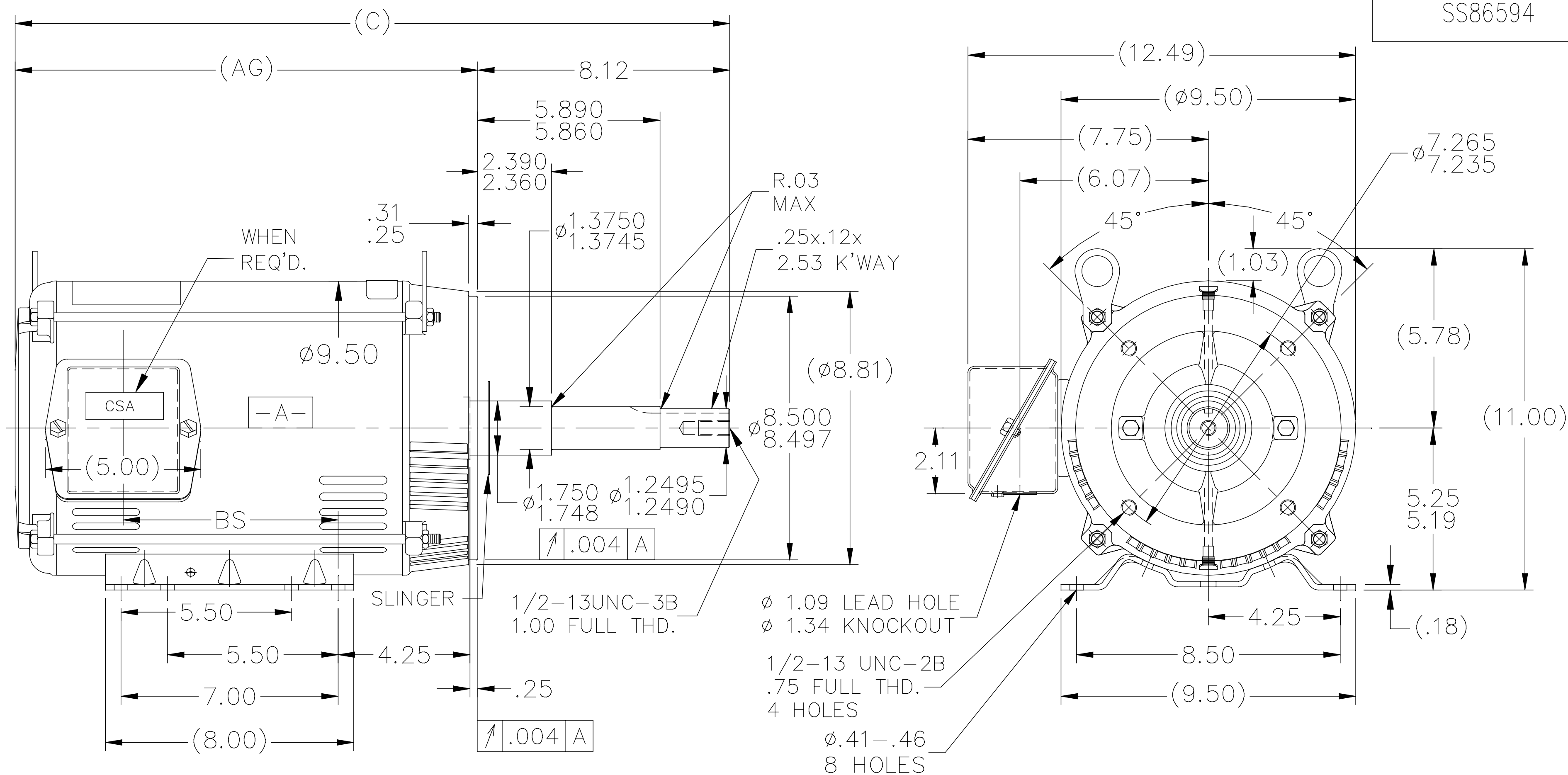
Nameplate Specifications

Output HP	7.50 Hp	Output KW	5.6 kW
Frequency	60 Hz	Voltage	200 V
Current	22.1 A	Speed	1760 rpm
Service Factor	1.15	Phase	3
Efficiency	88.5 %	Power Factor	82
Duty	Continuous	Insulation Class	B
Design Code	B	KVA Code	H
Frame	213JP	Enclosure	Drip Proof
Thermal Protection	No	Ambient Temperature	40 °C
Drive End Bearing Size	6309	Opp Drive End Bearing Size	6206
UL	Recognized	CSA	Y
CE	N	IP Code	22
Number of Speeds	1		

Technical Specifications

Electrical Type	Squirrel Cage Induction Run	Starting Method	Across The Line
Poles	4	Rotation	Reversible
Resistance Main	1.6 Ohms	Mounting	Rigid Base
Motor Orientation	Horizontal	Drive End Bearing	Ball
Opp Drive End Bearing	Ball	Frame Material	Rolled Steel
Shaft Type	JP	Overall Length	23.03 in
Shaft Diameter	1.375 in	Shaft Extension	8.15 in
Assembly/Box Mounting	F1/F2 CAPABLE		
Outline Drawing	A-SS86594-1115	Connection Drawing	A-EE7300

SS86594



DASH	FR.	C	AG	BS	MOUNTING
965	213JP	21.53	13.41	5.43	
1115	213/15JP	23.03	14.91	6.93	
1240	213/15JP	24.28	16.16	8.18	F1 ONLY

- NOTES:
1. NAMEPLATE TO BE READ FROM C'BOX SIDE OF MOTOR.
 2. BOX CAN BE MOUNTED IN 90° STEPS.
 3. BOX CAN BE MOUNTED ON OPPOSITE SIDE BY REMOVING BRACKETS AND TURNING FRAME 180°. (EXCEPT AS NOTED)

NO.	REVISION	BY & DATE	CHK	ANG	TOLERANCES UNLESS SPECIFIED	FINISH	PREV
6	TITLE BLOCK LOGO CHANGE PER ECO-0078542	MDV 06/09/2015					DRAWN DA 03-26-1996
5	WHEN REQ'D NOTE ADDED PER ECO-0043948	UD 01/20/14	GR	DEC.	INCHES		CHK ML 04-01-1996
4	UPDATED DRAWING	TJW 04/27/2007		.X	±.1		APPD DN 04-01-1996
3	REDRAWN IN AUTOCAD	TAT 07-13-2004	ML	.XX	±.03	TITLE OUTLINE	SCALE 1=5
2	UPDATED C'BOX GEOMETRY	CN 28425 DRS 01-31-2000		.XXX	±.005	210JP FR.-BB-TS-DR.PR.-C' FACE	REF
1	NEW DRAWING - DES/DEV	DA 04-02-1996		.XXXX	±.0005	MAT'L.	FMF
					±7'30"		

THIS DRAWING IN DESIGN AND DETAIL IS OUR PROPERTY AND MUST NOT BE USED EXCEPT IN CONNECTION WITH OUR WORK ALL RIGHTS OF DESIGN AND INVENTION ARE RESERVED THIS IS AN ELECTRONICALLY GENERATED DOCUMENT - DO NOT SCALE THIS PRINT		RFP	CAD FILE ss86594	SIZE A	DRAWING NO. SS86594	PAGE OF	REV. 6
		DIST LB					



**THREE PHASE - SINGLE VOLTAGE
MOTOR - CONDUIT BOX @ 'A'**

**TO REVERSE ROTATION:
INTERCHANGE ANY TWO
LINE LEAD CONNECTIONS.**

TERMINAL BLOCK WHEN SPECIFIED



VIEW OF TERMINAL END

**IF MOTOR HAS
6 LEADS**



A-9806 DECAL

**OPTIONAL CORD
CONNECTION**



DRAWING REVISION AB	REVISION BY JJB	DATE 06-27-2017
ECO ECO-0125361	APPROVED BY TB	DATE 06-27-2017
ECO DESCRIPTION UPDATED TO CURRENT STANDARDS		
<small>COPYRIGHT REGAL BELOIT AMERICA, INC. ALL RIGHTS RESERVED. PROPRIETARY AND CONFIDENTIAL INFORMATION - THIS DOCUMENT IS THE PROPERTY OF REGAL BELOIT AMERICA, INC. ("OWNER") AND CONTAINS OWNER'S PROPRIETARY INFORMATION. ANY PERSON, CORPORATION OR OTHER FIRM RECEIVING IT IS DEEMED, BY RECEIVING IT, TO AGREE THAT IT, AND/OR ANY PART OF IT, SHALL NOT BE DISCLOSED TO ANY PERSON, CORPORATION OR OTHER ENTITY, DUPLICATED, AND/OR USED, EXCEPT AS EXPRESSLY APPROVED IN WRITING IN ADVANCE BY OWNER. THIS DOCUMENT SHALL BE RETURNED TO OWNER UPON REQUEST. IT MAY BE SUBJECT TO CERTAIN RESTRICTIONS UNDER APPLICABLE EXPORT CONTROL LAWS AND REGULATIONS.</small>		



DRAWN BY DA
DATE 03-26-1993
APPROVED BY TB
DATE 03-26-1993
REFERENCE
THIRD ANGLE PROJECTION

Regal Beloit America, Inc.	
DESCRIPTION CONNECTION DIAGRAM EXTERNAL - SINGLE VOLTAGE - 3Ø MOTOR	
MATERIAL	PROCESS/FINISH
SIZE A	DRAWING NUMBER EE7300
SHEET 1 OF 1	