

PRODUCT INFORMATION PACKET

marathon[®]
Motors

Model No: 213TTDW14102

Catalog No: H184A

2 HP General Purpose Motor, 3 phase, 900 RPM, 230/460 V, 213T Frame, ODP
General Purpose Motors

Regal and Marathon are trademarks of Regal Rexnord Corporation or one of its affiliated companies.
©2021 Regal Rexnord Corporation, All Rights Reserved. MC017097E

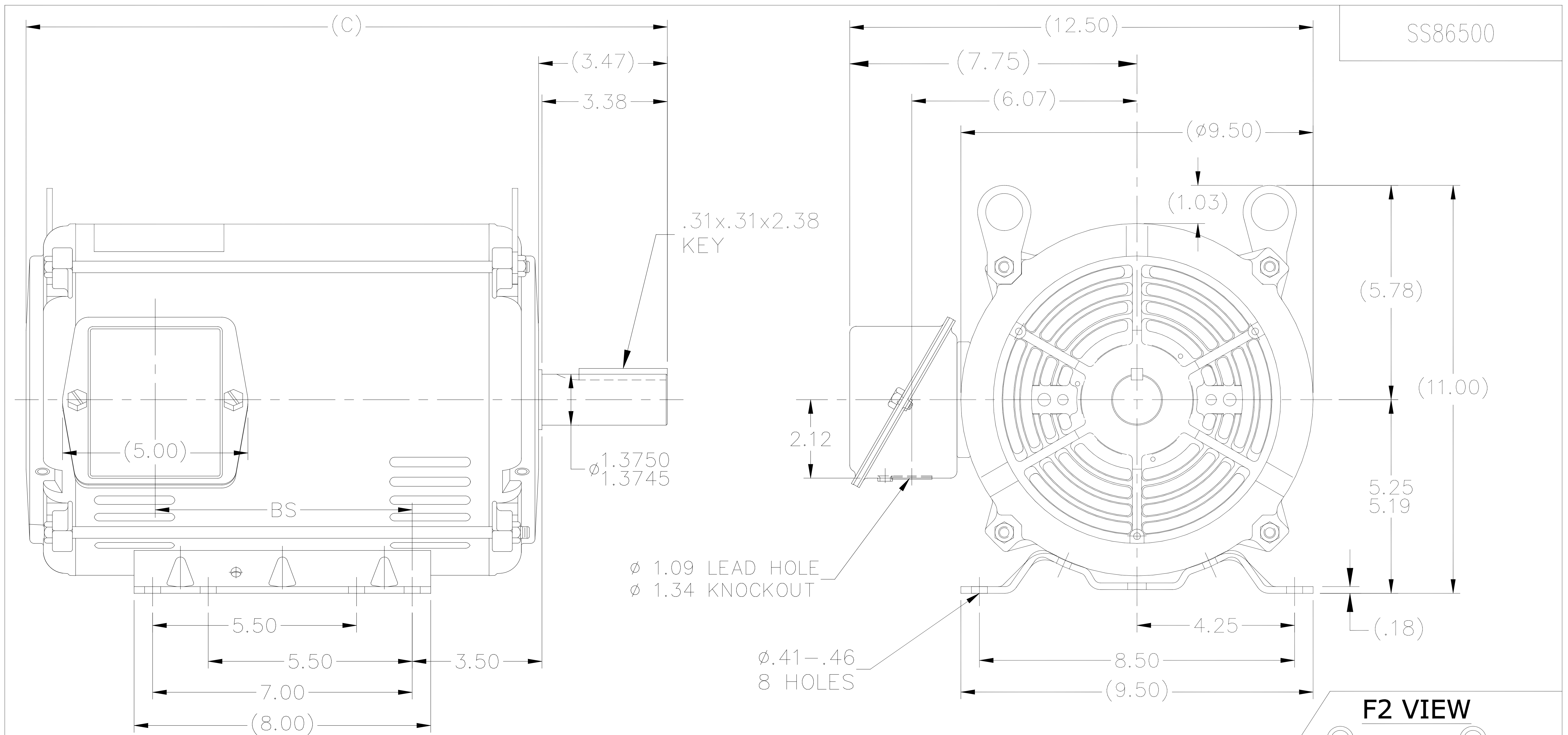
RegalRexnord

Nameplate Specifications

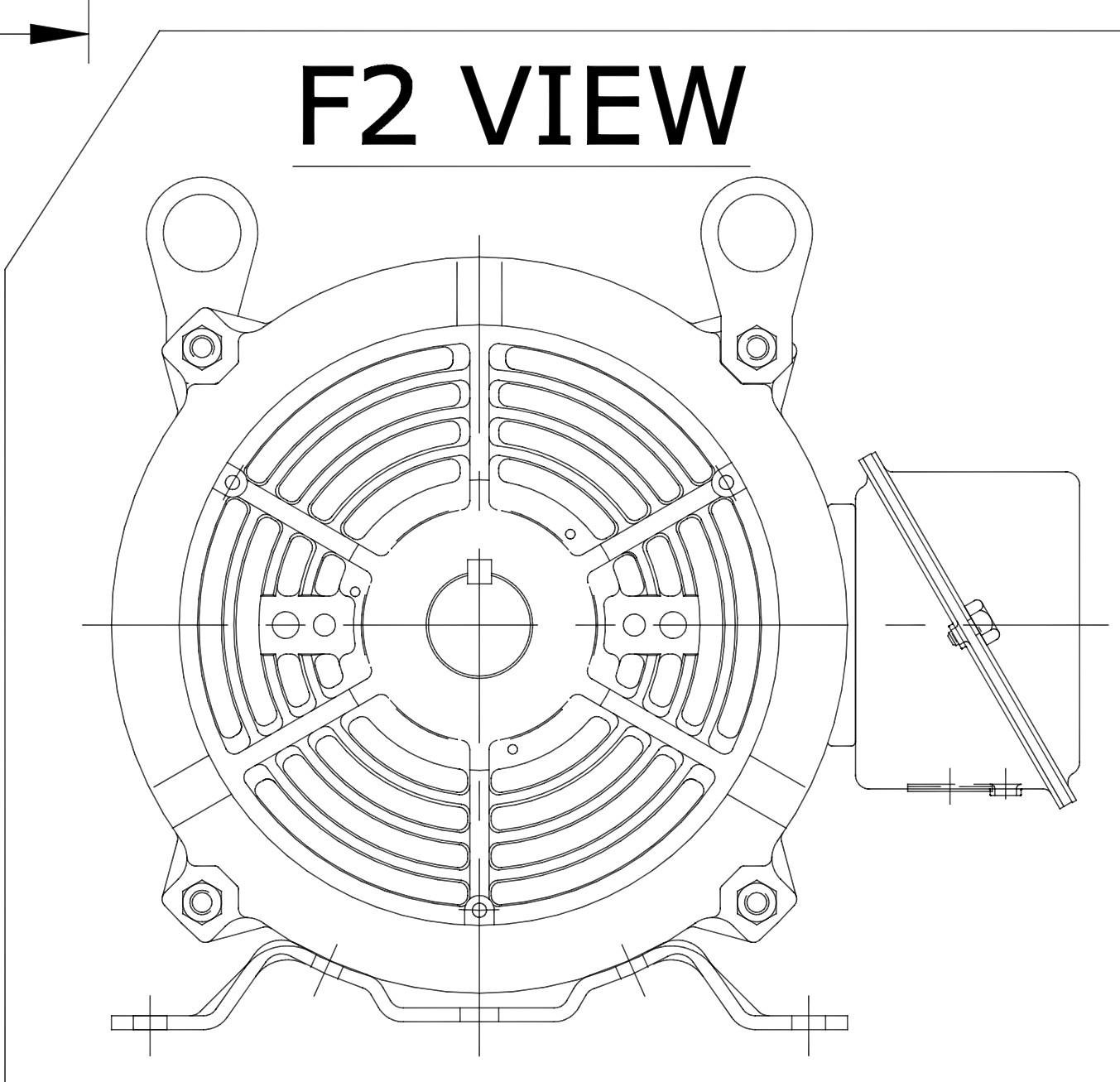
| | | | |
|------------------------|-------------------|----------------------------|-------------------|
| Output HP | 2 Hp | Output KW | 1.5 kW |
| Frequency | 60 Hz | Voltage | 230/460 V |
| Current | 8.0/4.0 A | Speed | 875 rpm |
| Service Factor | 1.15 | Phase | 3 |
| Efficiency | 85.5 % | Power Factor | 55 |
| Duty | Continuous | Insulation Class | B |
| Design Code | B | KVA Code | J |
| Frame | 213T | Enclosure | Drip Proof |
| Thermal Protection | No | Ambient Temperature | 40 °C |
| Drive End Bearing Size | 6307 | Opp Drive End Bearing Size | 6206 |
| UL | Recognized | CSA | Y |
| CE | Y | IP Code | 22 |
| Number of Speeds | 1 | | |

Technical Specifications

| | | | |
|-----------------------|------------------------------------|-----------------------|------------------------|
| Electrical Type | Squirrel Cage Induction Run | Starting Method | Across The Line |
| Poles | 8 | Rotation | Reversible |
| Resistance Main | 4.35 Ohms | Mounting | Rigid Base |
| Motor Orientation | Horizontal | Drive End Bearing | Ball |
| Opp Drive End Bearing | Ball | Frame Material | Rolled Steel |
| Shaft Type | T | Overall Length | 17.30 in |
| Frame Length | 11.15 in | Shaft Diameter | 1.375 in |
| Shaft Extension | 3.47 in | Assembly/Box Mounting | F1/F2 Capable |
| Outline Drawing | SS86500-1115 | Connection Drawing | EE7308 |




SS86500



- NOTES:
1. NAMEPLATE TO BE READ FROM C'BOX SIDE OF MOTOR.
 2. BOX CAN BE MOUNTED IN 90° STEPS.
 3. BOX CAN BE MOUNTED ON OPPOSITE SIDE BY REMOVING BRACKETS AND TURNING FRAME 180°. (EXCEPT AS NOTED.)

| DASH | FR. | C | BS | MOUNTING |
|------|---------|-------|------|----------|
| 1115 | 213/15T | 17.30 | 6.93 | F1/F2 |
| 1240 | 213/15T | 18.55 | 8.18 | F1 ONLY |

| | | | | | | | | | |
|--|---|----------------|---------|-----------------------------|--------|---|----------------------|-------------|---------|
| 14 | TITLE BLOCK LOGO CHANGE PER ECO-0078542 | MDV 06/09/2015 | MDV | TOLERANCES UNLESS SPECIFIED | |  Regal Beloit America, Inc. | DRAWN SMC 04-13-1993 | | |
| 13 | FOR FRAME 11.15 MOUNTING NOTE ADDED | UD 12/13/12 | SR | DEC. | INCHES | | CHK MOL 04-04-1993 | | |
| 12 | ADDED: F2 VIEW. | KVN 2/10/2009 | SVL | .X | ±.1 | | APPD DRN 04-13-1993 | | |
| 11 | UPDATED DRAWING | TJW 04/27/2007 | | .XX | ±.03 | TITLE OUTLINE | SCALE 1=4 | | |
| 10 | REM'VD. DASH 965 FROM SERIES CN38252 | RWR 07-20-2004 | ML | .XXX | ±.005 | 210 FR. - BB - TS - DR. PR. | REF | | |
| 9 | REDRAWN IN AUTOCAD | TAT 06-29-2004 | ML | .XXXX | ±.0005 | MAT'L. | FMF | | |
| NO. | REVISION | BY & DATE | CHK | ANG | ±7'30" | FINISH | PREV | | |
| THIS DRAWING IN DESIGN AND DETAIL IS OUR PROPERTY AND MUST NOT BE USED EXCEPT IN CONNECTION WITH OUR WORK ALL RIGHTS OF DESIGN AND INVENTION ARE RESERVED THIS IS AN ELECTRONICALLY GENERATED DOCUMENT - DO NOT SCALE THIS PRINT | | | RFP | CAD FILE ss86500 | | SIZE A | DRAWING NO. SS86500 | PAGE 1 OF 1 | REV. 14 |
| | | | DIST LB | | | | | | |

EE7308

THREE PHASE
DUAL VOLTAGE MOTOR



VIEW OF TERMINAL END

REF.
WINDING DIAGRAM

T8Y, T2Y, T2BL, T4BX, T2EC, T2G
T6BZ, T2B, T6BL, T4AV, T6B, T4B

OPTIONAL CORD
CONNECTION

L1 — WHITE
L2 — RED
L3 — BLACK

| NO. | REVISION | BY & DATE | CHK | ANG | TOLERANCES UNLESS SPECIFIED | | FINISH | DRAWN RM 11/20/1990 | | | | |
|--|--|----------------|-----|-------|--------------------------------|--------|--------------------------|---------------------|--------|--------------------|-----------|--------|
| | | | | | DEC. | INCHES | | | | | | |
| 5 | CHG TO REGAL LOGO | SL 09/10/2015 | AB | | | | | CHK ML 11/21/1990 | | | | |
| 4 | REVISED IEC NOTATIONS | MSG 11/15/2011 | CMN | .X | ±.1 | | | APPD SAS 04/24/2003 | | | | |
| 3 | ADDED IEC NOTATIONS... (U1), (V1) ETC. MU95194 | MSG 5/10/2010 | MJS | .XX | ±.02 | | TITLE CONNECTION DIAGRAM | SCALE 1=1 | | | | |
| 2 | ADDED THE OPTIONAL CORD CONNECTION MU46318 | RDH 04/24/2003 | DRS | .XXX | ±.005 | | 3Ø - DUAL VOLTAGE MOTOR | REF | | | | |
| 1 | REDRAWN | RM 11/20/1990 | | .XXXX | ±.0005 | | MAT'L. | FMF | | | | |
| | | | | | ±7'30" | | | PREV | | | | |
| THIS DRAWING IN DESIGN AND DETAIL IS OUR PROPERTY AND MUST NOT BE USED EXCEPT IN CONNECTION WITH OUR WORK ALL RIGHTS OF DESIGN AND INVENTION ARE RESERVED THIS IS AN ELECTRONICALLY GENERATED DOCUMENT - DO NOT SCALE THIS PRINT | | | | | | | RFP | CAD FILE ee7308 | SIZE A | DRAWING NO. EE7308 | PAGE OF 5 | REV. 5 |
| | | | | | | | DIST WP | | | | | |

