

PRODUCT INFORMATION PACKET

Model No: 213TTDBD7202

Catalog No: Y488A

Multispeed Motor, 7.50 & 1.88 HP, 3 Ph, 60 & 60 Hz, 200-230 & 200-230 V, 1800 & 1800 RPM,
213T Frame, DP



Regal and Marathon are trademarks of Regal Rexnord Corporation or one of its affiliated companies.

©2023 Regal Rexnord Corporation, All Rights Reserved. MC017097E



Nameplate Specifications

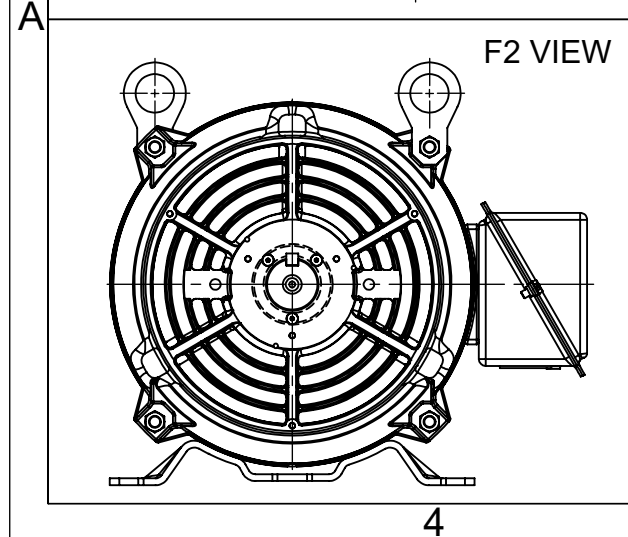
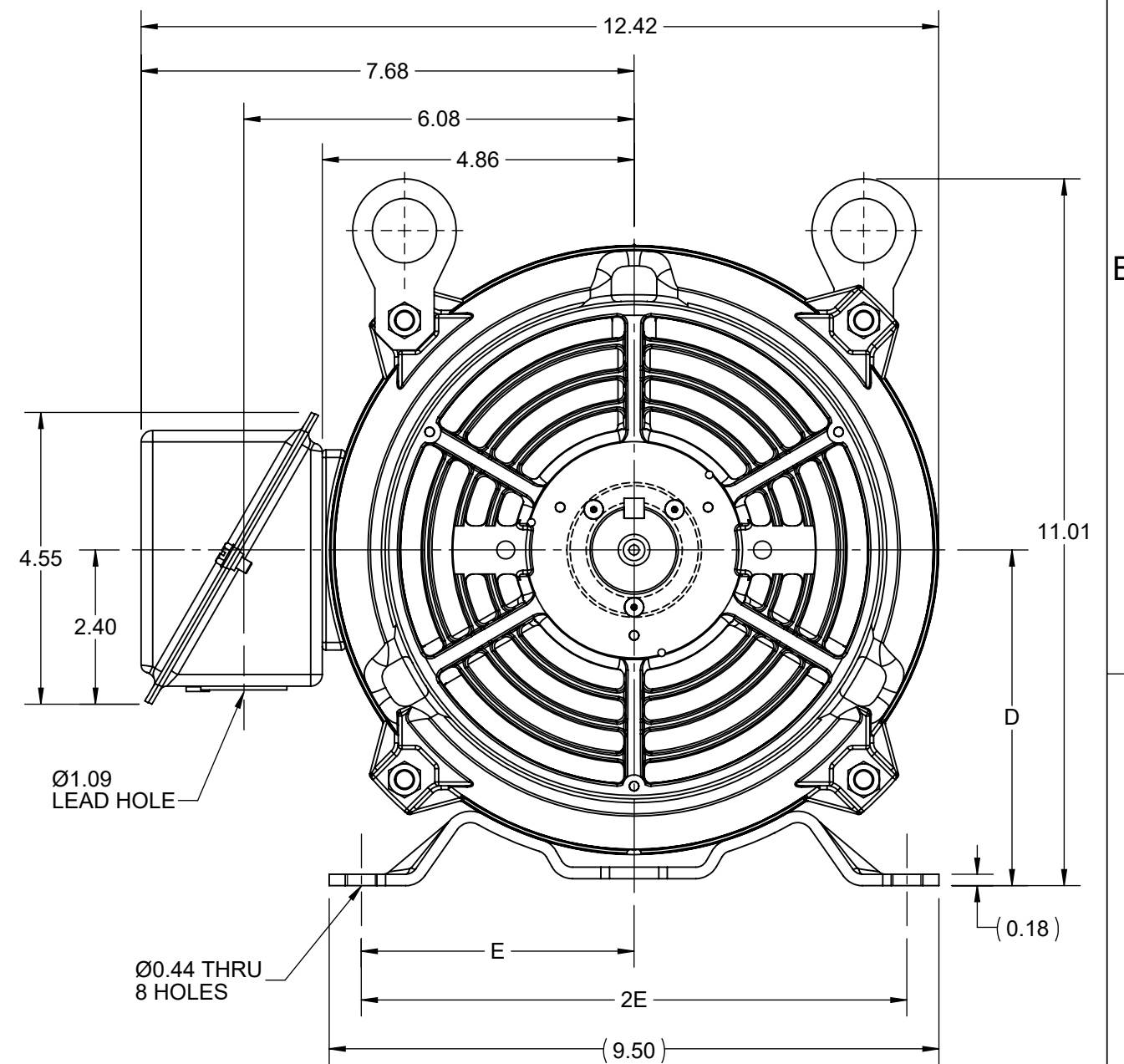
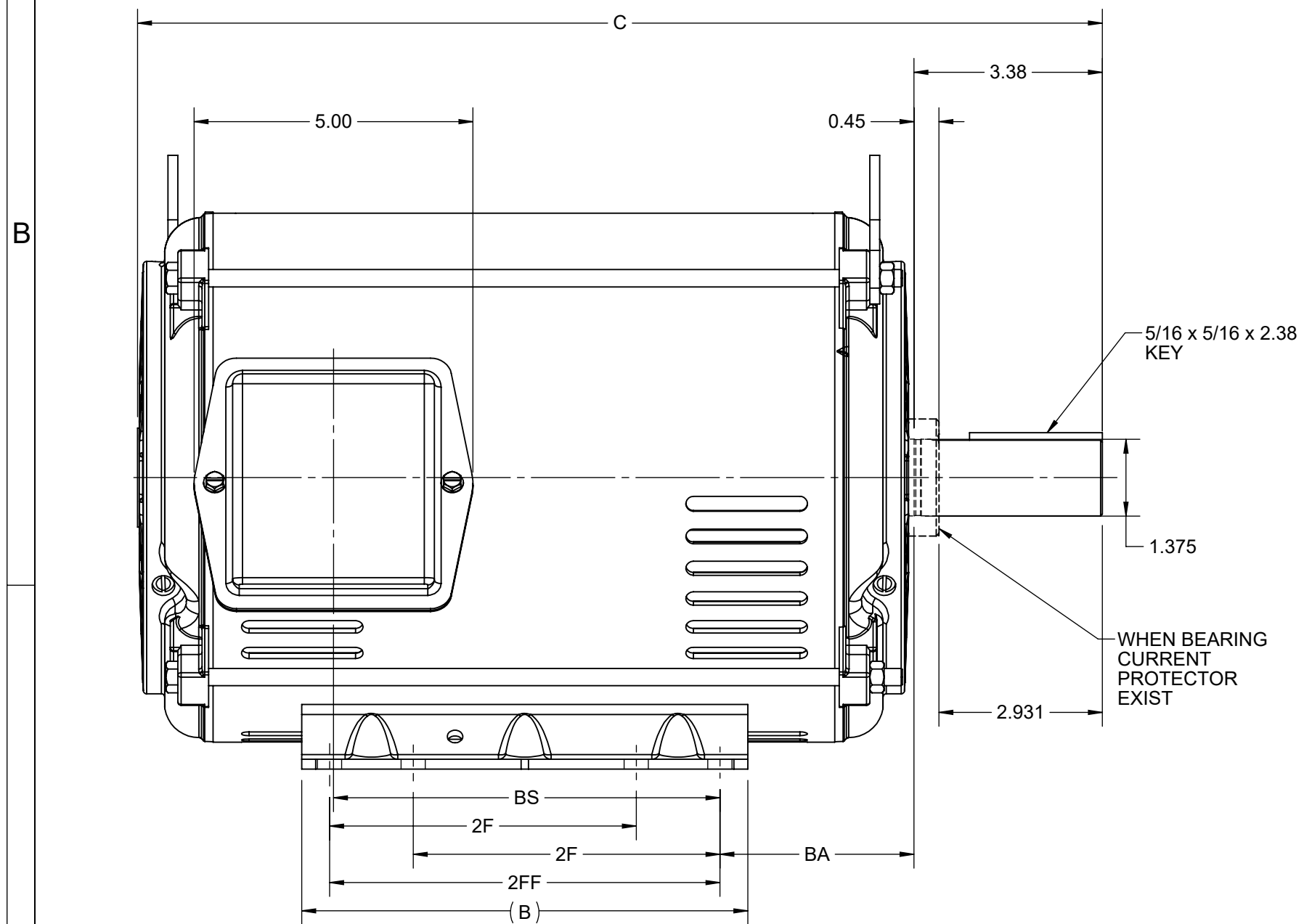
Phase	3	Output HP	7.50 & 1.88 Hp
Output KW	5.6 & 1.4 kW	Voltage	200-230 & 200-230 V
Speed	1765 & 885 rpm	Service Factor	1.15 & 1.15
Frame	213T	Enclosure	Drip Proof
Thermal Protection	No Protection	Efficiency	87.5 & 80 %
Ambient Temperature	40 °C	Frequency	60 & 60 Hz
Current	21-20 & 8.7-8.5 A	Power Factor	79
Duty	Continuous	Insulation Class	F
Design Code	1VT	KVA Code	M
Drive End Bearing Size	6307	Opp Drive End Bearing Size	6206
UL	Recognized	CSA	Y
CE	Y	IP Code	22
Number of Speeds	2		

Technical Specifications

Electrical Type	Squirrel Cage Induction Run	Starting Method	Across The Line
Poles	4/8	Rotation	Reversible
Resistance Main	.4029 Ohms	Mounting	Rigid Base
Motor Orientation	Horizontal	Drive End Bearing	Ball
Opp Drive End Bearing	Ball	Frame Material	Rolled Steel
Shaft Type	T	Shaft Diameter	1.375 in
Assembly/Box Mounting	F1/F2 CAPABLE		
Connection Drawing	EE7322	Outline Drawing	SS620684

This is an uncontrolled document once printed or downloaded and is subject to change without notice. Date Created:06/23/2023

4			3						
B	C	D	E	2E	2F	2FF	BA	BS	MOUNTING
8.00	17.30	5.25	4.25	8.50	5.50	7.00	3.50	6.93	F1 OR F2



DRAWING REVISION F	REVISION BY GOPI J	REV DATE/© DATE 09/05/2022
REQUEST NUMBER CR-0008840	APPROVED BY GNK	DATE 09/05/2022
REQUEST NUMBER DESCRIPTION FRAME AND CONDUIT BOX PART # UPDATED AS PER CR		
<small>COPYRIGHT (PER REVISION DATE) REGAL BELOIT AMERICA, INC. ALL RIGHTS RESERVED. PROPRIETARY AND CONFIDENTIAL INFORMATION - THIS DOCUMENT IS THE PROPERTY OF REGAL BELOIT AMERICA, INC. ("OWNER") AND CONTAINS OWNER'S PROPRIETARY INFORMATION. ANY PERSON, CORPORATION OR OTHER FIRM RECEIVING IT IS DEEMED, BY RECEIVING IT, TO AGREE THAT IT, AND/OR ANY PART OF IT, SHALL NOT BE DISCLOSED TO ANY PERSON, CORPORATION OR OTHER ENTITY, DUPLICATED, AND/OR USED, EXCEPT AS EXPRESSLY APPROVED IN WRITING IN ADVANCE BY OWNER. THIS DOCUMENT SHALL BE RETURNED TO OWNER UPON REQUEST. IT MAY BE SUBJECT TO CERTAIN RESTRICTIONS UNDER APPLICABLE EXPORT CONTROL LAWS AND REGULATIONS.</small>		

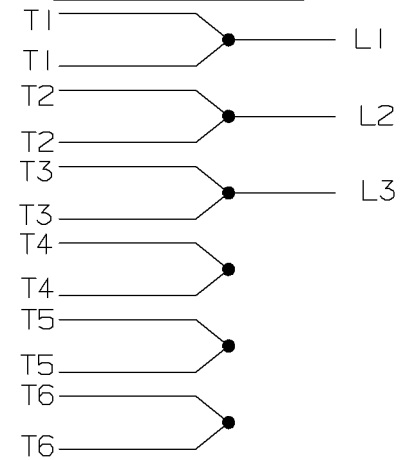
PRIMARY DIMENSIONS ARE INCH
mm DIMENSIONS IN [BRACKETS]
ARE FOR REFERENCE ONLY

DRAWN BY ZXW	Regal Beloit America, Inc.
DATE 16/04/2015	
APPROVED BY ZL	DESCRIPTION OUTLINE 213/215T FR NEMA ODP RS
DATE 16/04/2015	MATERIAL
REFERENCE	PROCESS/FINISH
THIRD ANGLE PROJECTION	SIZE B
DRAWING NUMBER SS620684	SHEET 1 OF 1

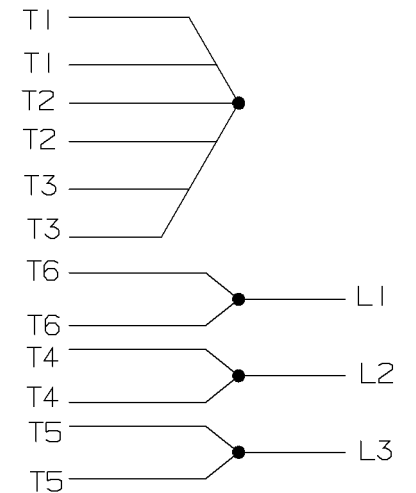
A- EE7322

FOR DUAL LEADS

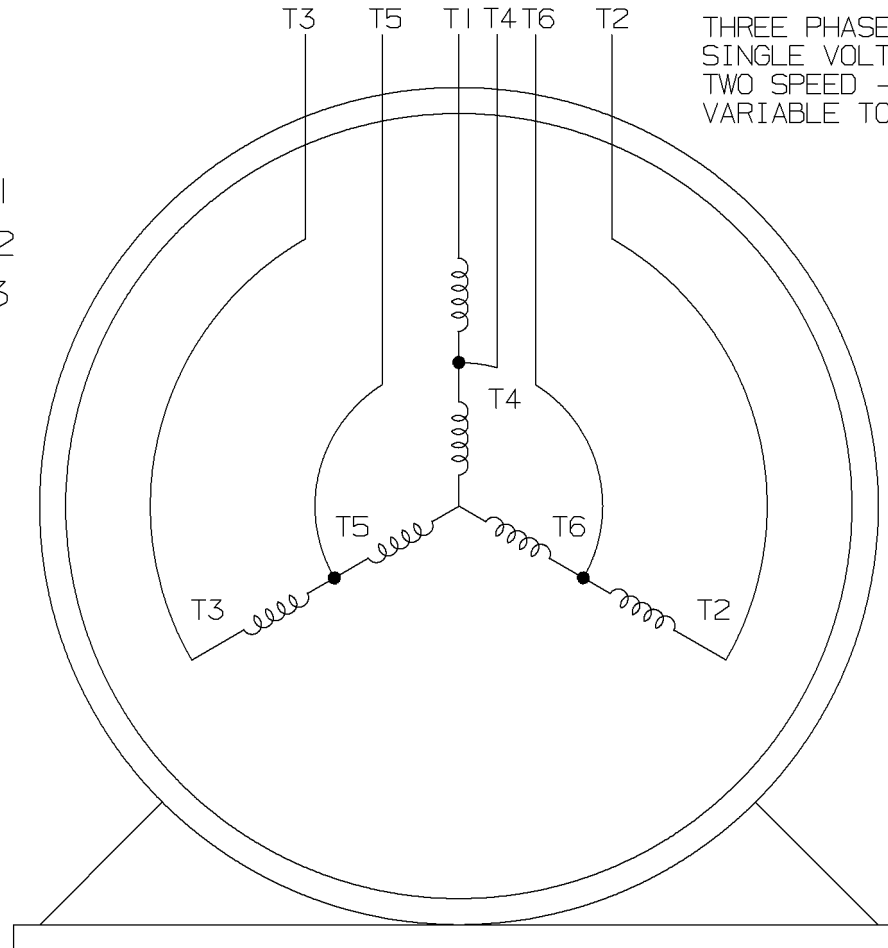
LOW SPEED



HIGH SPEED

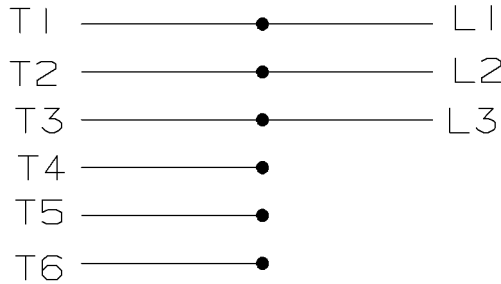


THREE PHASE MOTOR
SINGLE VOLTAGE
TWO SPEED - SGL. WDG.
VARIABLE TORQUE

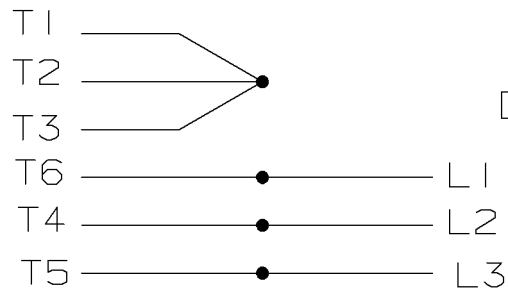


VIEW OF TERMINAL END

LOW SPEED



HIGH SPEED



T612C

T48B

				<input checked="" type="checkbox"/> MAX. SURFACE ROUGHNESS UNLESS NOTED OTHERWISE	UNLESS OTHERWISE SPECIFIED DIMENSIONS ARE IN INCHES TOL. ON XX± XXX±.005 XXXX±.0005 ANGLES±		
				MATL SPEC			DRAWN BY PGK 12-26-1996
				FINISH			CHKD BY ML 01-07-1997
7	01-08-1997	REDRAWN ON CADD	PGK	REFERENCE DRW.	WAUSAU, WISCONSIN 54401		
		CN 24000-27		PART NAME CONNECTION DIAGRAM	DRWG NO A- EE7322		
REV	DATE	CHANGE	NAME	3Ø - SINGLE VOLTAGE - 2 SPEED			

SHOP BOOK

PURCHASED

DISTRIBUTION - WA - LB - WP - LM - BR

CADD FILE NO.

EE7322

Data Sheet

Date: 12/15/2021
 Customer: _____
 Attention: _____
 Submitted by: SHERYL KUEHMICHEL



213TTDBD7202

Submittal

Data @ 230 V

Motor Load Data

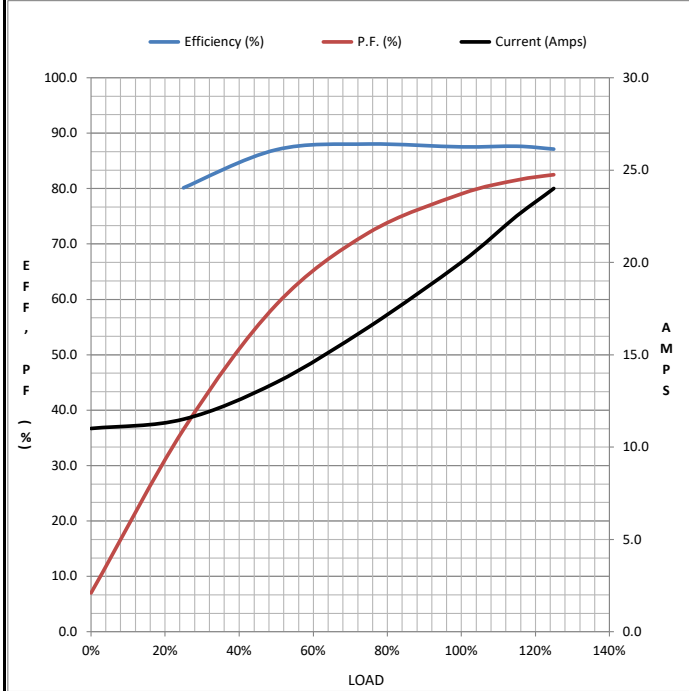
Load	0%	25%	50%	75%	100%	115%	125%	LR
Current (Amps)	11.0	11.5	13.5	16.5	20.0	22.5	24.0	197
Torque(ft-lb)	0.00	5.5	11.0	16.5	22.0	25.3	28.0	63.0
RPM	1800	1790	1785	1775	1765	1,760	1760	0
Efficiency (%)		80.1	87.0	88.0	87.5	87.6	87.1	
P.F. (%)	7.0	36.5	59.0	72.0	79.0	81.5	82.5	51.5

Motor Speed Data

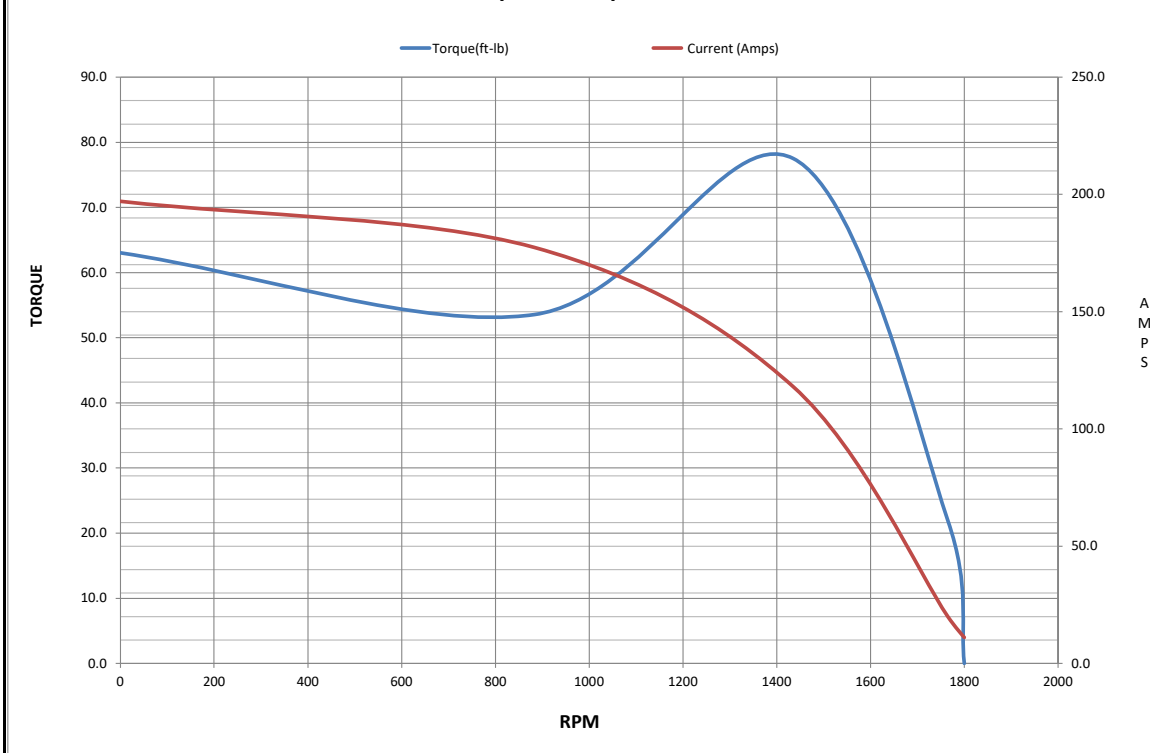
	LR	Pull-Up	BD	Rated	Idle
Speed (RPM)	0	883	1435	1765	1800
Current (Amps)	197	177	118	20.0	11.0
Torque(ft-lb)	63.0	53.6	77.5	22.0	0.00

Information Block

HP	7.5			
Sync. RPM	1800			
Frame	213T			
Enclosure	DP			
Construction	TDR			
Voltage	230 V			
Frequency	60 Hz			
Design	2VT			
LR Code letter	M			
Service Factor	1.15			
Temp Rise @ FL	60 °C			
Duty	CONT			
Ambient	40 °C			
Elevation	3,300 feet			
Rotor/Shaft wk ²	1.32 Lb-Ft ²			
Ref Wdg	HA3132(4-8)13 HS			
Sound Pressure @ 1M	62 dBA			
VFD Rating	NA			
Outline Dwg	SS620684			
Conn. Diag	EE7322			
Additional Specifications:				
CATALOG # Y488A				
HIGH SPEED PERFORMANCE				
NP VOLTAGE 200-230, AMPS 21-20				
EQUIV CKT (OHMS / PHASE)				
R1	R2	X1	X2	Xm
0.2590	0.1229	0.6845	0.8102	12.7062



Speed - Torque Curve



Data Sheet

Date: 12/15/2021
 Customer: _____
 Attention: _____
 Submitted by: SHERYL KUEHMICHEL



213TTDBD7202

Submittal

Data @ 230 V

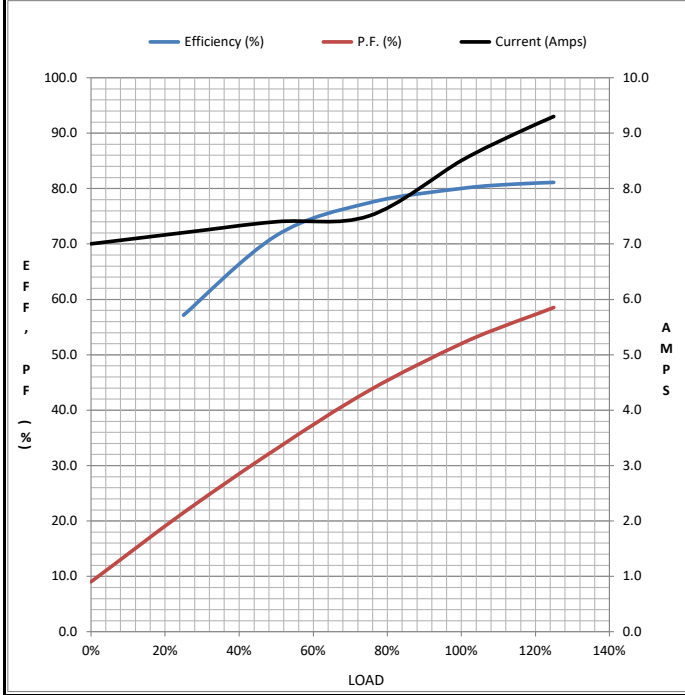
Motor Load Data

Load	0%	25%	50%	75%	100%	115%	125%	LR
Current (Amps)	7.0	7.2	7.4	7.5	8.5	9.0	9.3	41.5
Torque(ft-lb)	0.00	2.80	5.6	8.4	11.0	12.7	14.0	13.0
RPM	900	895	895	890	885	885	885	0
Efficiency (%)		57.1	71.5	77.4	80.0	80.8	81.1	
P.F. (%)	9.0	21.5	33.0	43.5	52.0	56.0	58.5	35.5

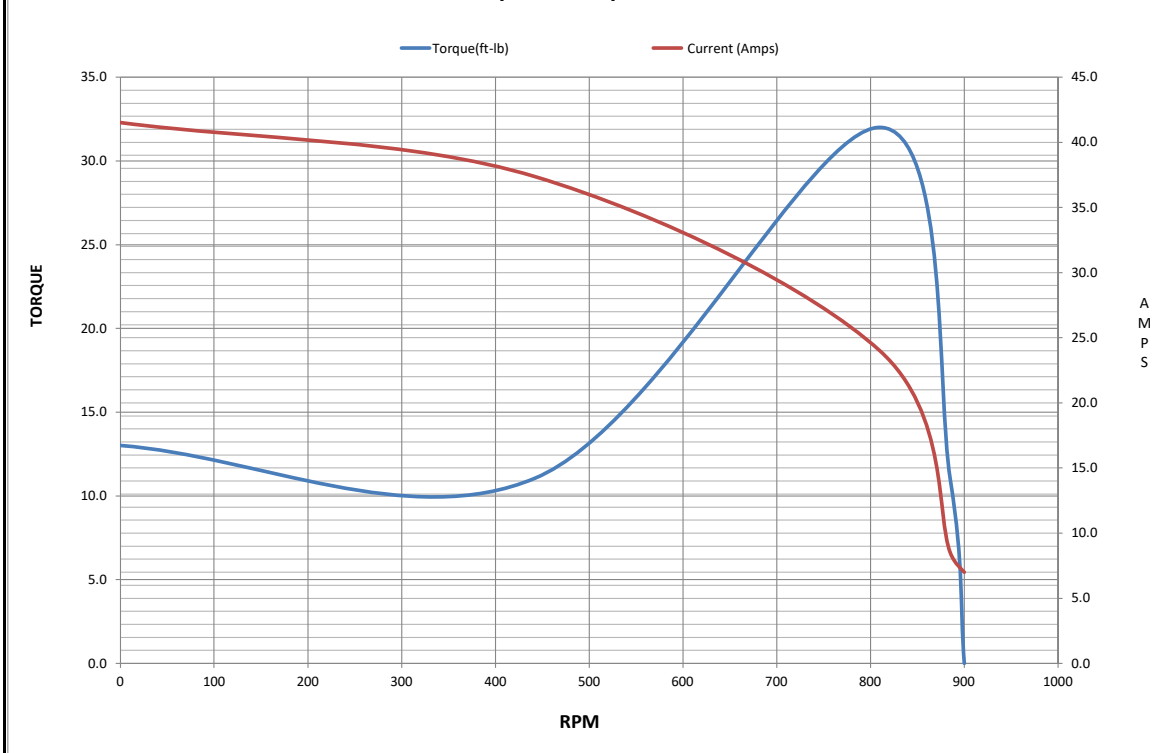
Motor Speed Data

	LR	Pull-Up	BD	Rated	Idle
Speed (RPM)	0	443	810	885	900
Current (Amps)	41.5	37.4	24.0	8.5	7.0
Torque(ft-lb)	13.0	11.1	32.0	11.0	0.00

Information Block				
HP	1.88			
Sync. RPM	900			
Frame	213T			
Enclosure	DP			
Construction	TDR			
Voltage	230 V			
Frequency	60 Hz			
Design	2VT			
LR Code letter	K			
Service Factor	1.15			
Temp Rise @ FL	75 °C			
Duty	CONT			
Ambient	40 °C			
Elevation	3,300 feet			
Rotor/Shaft wk ²	1.32 Lb-Ft ²			
Ref Wdg	HA3132(4-8)13 HS			
Sound Pressure @ 1M	58 dBA			
VFD Rating	NA			
Outline Dwg	SS620684			
Conn. Diag	EE7322			
Additional Specifications:				
CATALOG # Y488A				
LOW SPEED PERFORMANCE				
NP VOLTAGE 200-230, AMPS 8.7-8.5				
EQUIV CKT (OHMS / PHASE)				
R1	R2	X1	X2	Xm
1.0031	0.3168	2.1042	2.5492	16.7055



Speed - Torque Curve



EC Declaration of Conformity

The undersigned representing
the manufacturer:

Regal Beloit America
100 East Randolph St.
Wausau, WI 54401

and the authorized representative
established within the Community:

Marathon Electric UK
6F Thistleton Road Ind. Estate
Market Overton
Oakham, Rutland LE15 7PP UK

are committed to providing customers with products that comply with applicable regulations and international protocols to which they are subject, including the requirements of the European Parliament Directive on the Harmonization of the laws relating to electrical equipment designed for use within certain voltage limits (2014/35/EU).

Regal Beloit America declares that the following product(s), to which this declaration relates, are in conformity with the relevant sections of the EC standards listed below.

This statement supersedes any statements previously issued pertaining to the product(s) listed below and is subject to change without notice.

Model No : 213TTDBD7202

(Model No. may contain prefix and/or suffix characters)

Catalog No : Y488A

Rework No : N/A

Directives :

Low Voltage Directive 2014/35/EU

Harmonized Standards Used :

EN 60034-1: 2010 (IEC 60034-1: 2010)

EN 60034-5: 2001/A1:2007 (IEC 60034-5: 2000/A1:2006)

Authorized Representative:



Michael A. Logsdon
Vice President, Technology

Authorized Representative in the Community:



Julian Clark
Marketing Engineer

Created on 09/01/2022

CE 22