

PRODUCT INFORMATION PACKET

Model No: 213TTDBD7201

Catalog No: Y489A

Multispeed Motor, 7.50 & 1.88 HP, 3 Ph, 60 Hz, 460 & 460 V, 1800 & 1800 RPM, 213T Frame, DP



Regal and Marathon are trademarks of Regal Rexnord Corporation or one of its affiliated companies.

©2024 Regal Rexnord Corporation, All Rights Reserved. MC017097E

Nameplate Specifications

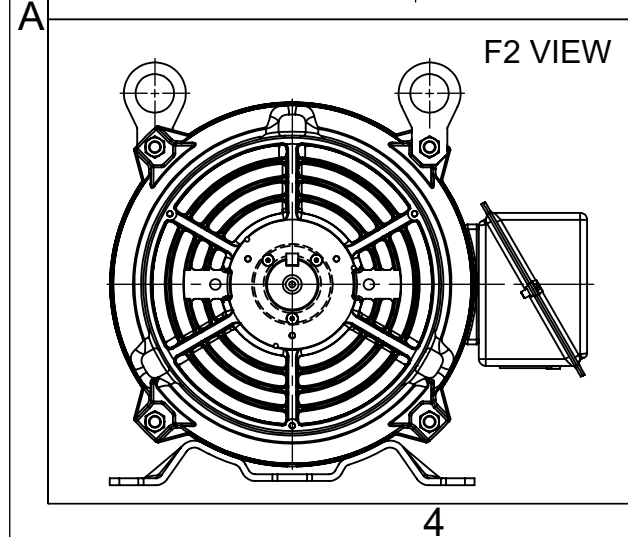
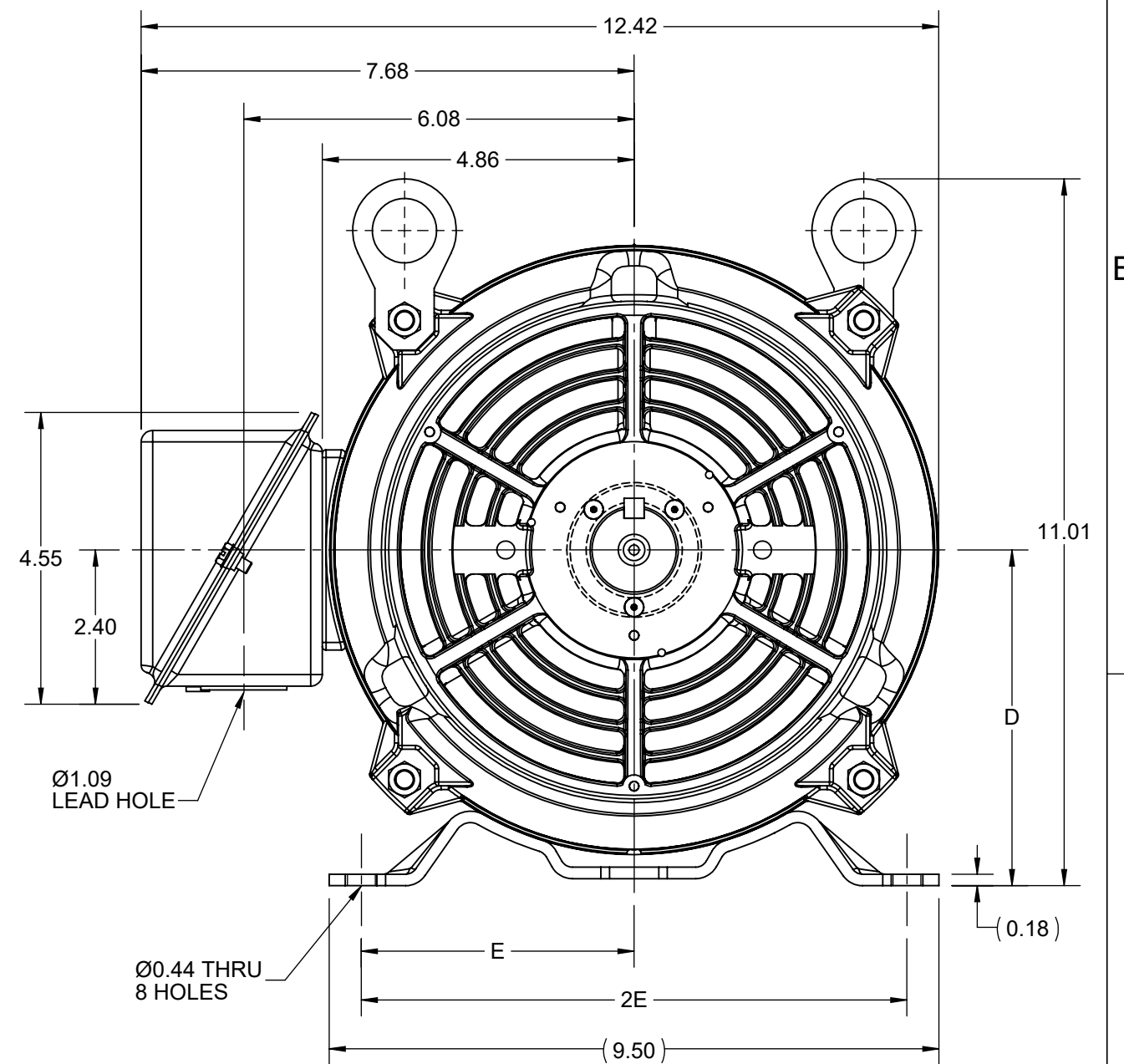
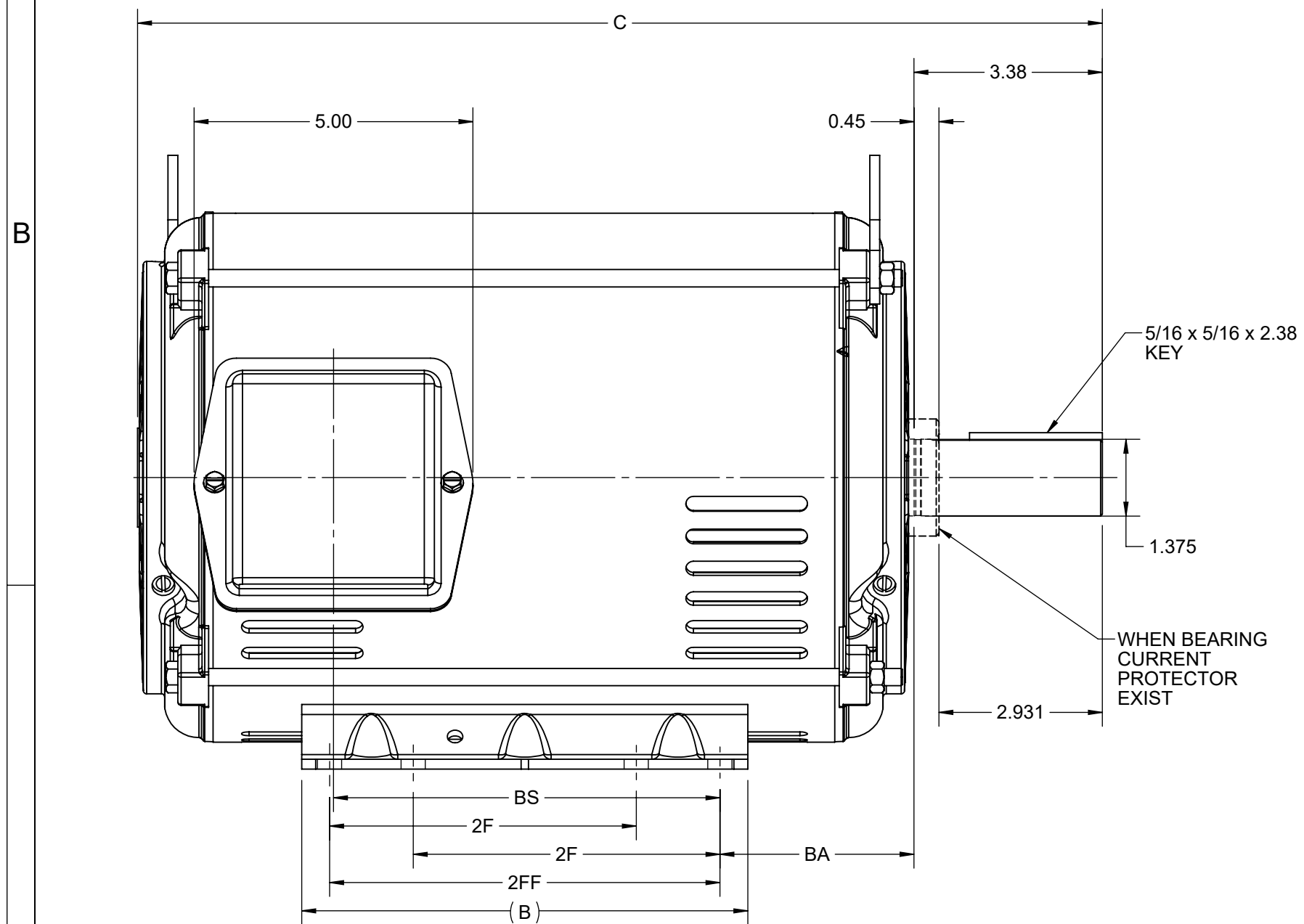
Phase	3	Output HP	7.50 & 1.88 Hp
Output KW	5.6 & 1.4 kW	Voltage	460 & 460 V
Speed	1765 & 875 rpm	Service Factor	1.15 & 1.15
Frame	213T	Enclosure	Drip Proof
Thermal Protection	No Protection	Efficiency	86 & 81 %
Ambient Temperature	40 °C	Frequency	60 Hz
Current	9.2 & 3.2 A	Power Factor	88
Duty	Continuous	Insulation Class	F
Design Code	1VT	KVA Code	J
Drive End Bearing Size	6307	Opp Drive End Bearing Size	6206
UL	Recognized	CSA	Y
CE	Y	IP Code	22
Number of Speeds	2		

Technical Specifications

Electrical Type	Squirrel Cage Induction Run	Starting Method	Across The Line
Poles	4/8	Rotation	Reversible
Resistance Main	2.4091 Ohms	Mounting	Rigid Base
Motor Orientation	Horizontal	Drive End Bearing	Ball
Opp Drive End Bearing	Ball	Frame Material	Rolled Steel
Shaft Type	T	Shaft Diameter	1.375 in
Assembly/Box Mounting	F1/F2 CAPABLE		
Outline Drawing	SS620684	Connection Drawing	EE7322

This is an uncontrolled document once printed or downloaded and is subject to change without notice. Date Created:10/18/2024

4			3						
B	C	D	E	2E	2F	2FF	BA	BS	MOUNTING
8.00	17.30	5.25	4.25	8.50	5.50	7.00	3.50	6.93	F1 OR F2



DRAWING REVISION F	REVISION BY GOPI J	REV DATE/© DATE 09/05/2022
REQUEST NUMBER CR-0008840	APPROVED BY GNK	DATE 09/05/2022
REQUEST NUMBER DESCRIPTION FRAME AND CONDUIT BOX PART # UPDATED AS PER CR		
<small>COPYRIGHT (PER REVISION DATE) REGAL BELOIT AMERICA, INC. ALL RIGHTS RESERVED. PROPRIETARY AND CONFIDENTIAL INFORMATION - THIS DOCUMENT IS THE PROPERTY OF REGAL BELOIT AMERICA, INC. ("OWNER") AND CONTAINS OWNER'S PROPRIETARY INFORMATION. ANY PERSON, CORPORATION OR OTHER FIRM RECEIVING IT IS DEEMED, BY RECEIVING IT, TO AGREE THAT IT, AND/OR ANY PART OF IT, SHALL NOT BE DISCLOSED TO ANY PERSON, CORPORATION OR OTHER ENTITY, DUPLICATED, AND/OR USED, EXCEPT AS EXPRESSLY APPROVED IN WRITING IN ADVANCE BY OWNER. THIS DOCUMENT SHALL BE RETURNED TO OWNER UPON REQUEST. IT MAY BE SUBJECT TO CERTAIN RESTRICTIONS UNDER APPLICABLE EXPORT CONTROL LAWS AND REGULATIONS.</small>		

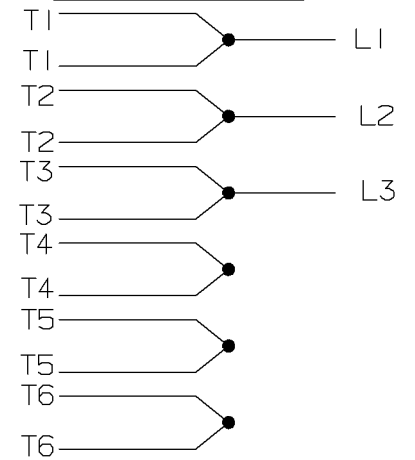
PRIMARY DIMENSIONS ARE INCH
mm DIMENSIONS IN [BRACKETS]
ARE FOR REFERENCE ONLY

DRAWN BY ZXW	Regal Beloit America, Inc.	
DATE 16/04/2015		
APPROVED BY ZL	DESCRIPTION OUTLINE 213/215T FR NEMA ODP RS	
DATE 16/04/2015	MATERIAL	PROCESS/FINISH
REFERENCE	SIZE B	DRAWING NUMBER SS620684
THIRD ANGLE PROJECTION	SHEET 1 OF 1	

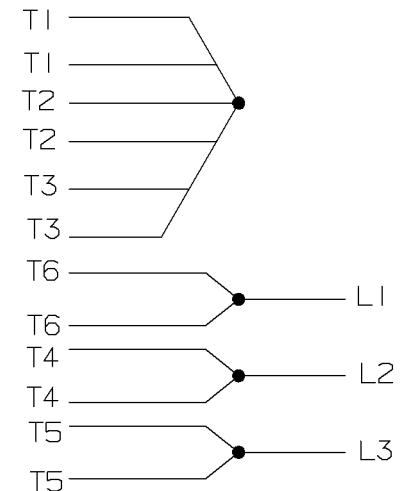
A- EE7322

FOR DUAL LEADS

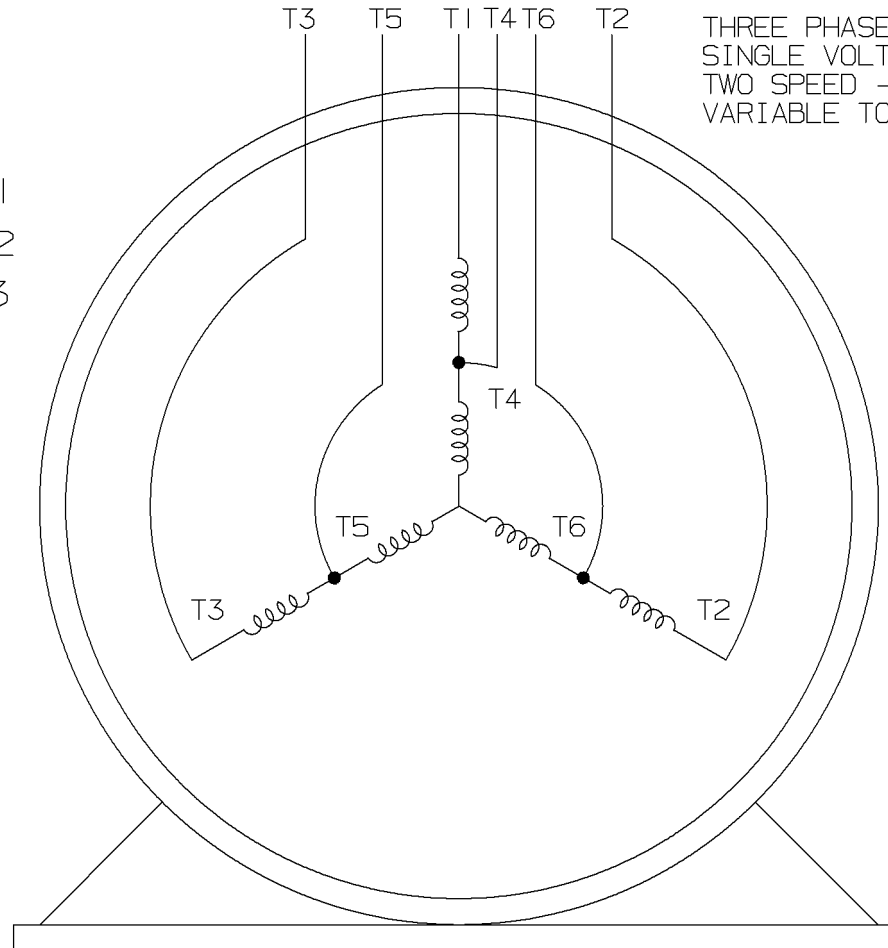
LOW SPEED



HIGH SPEED

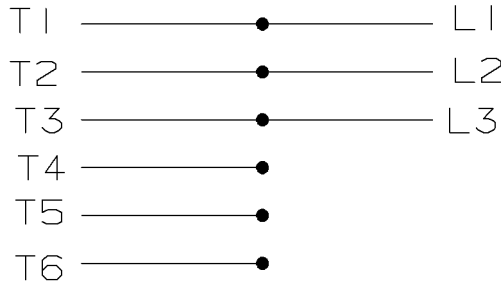


THREE PHASE MOTOR
SINGLE VOLTAGE
TWO SPEED - SGL. WDG.
VARIABLE TORQUE

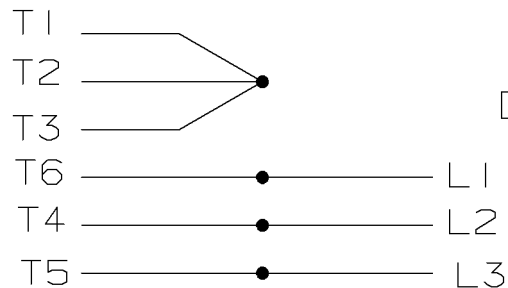


VIEW OF TERMINAL END

LOW SPEED



HIGH SPEED



T612C

T48B

				✓ MAX. SURFACE ROUGHNESS UNLESS NOTED OTHERWISE	UNLESS OTHERWISE SPECIFIED DIMENSIONS ARE IN INCHES TOL. ON XX± XXX±.005 XXXX±.0005 ANGLES±		
				MATL SPEC			DRAWN BY PGK 12-26-1996
				FINISH			CHKD BY ML 01-07-1997
7	01-08-1997	REDRAWN ON CADD	PGK	REFERENCE DRW.			WAUSAU, WISCONSIN 54401
REV	DATE	CHANGE	NAME	PART NAME	CONNECTION DIAGRAM		DRWG NO
				3Ø - SINGLE VOLTAGE - 2 SPEED			A- EE7322

SHOP BOOK

PURCHASED

DISTRIBUTION - WA - LB - WP - LM - BR

CADD FILE NO.

EE7322

EC Declaration of Conformity

The undersigned representing
the manufacturer:

Regal Beloit America
100 East Randolph St.
Wausau, WI 54401

and the authorized representative
established within the Community:

Marathon Electric UK
6F Thistleton Road Ind. Estate
Market Overton
Oakham, Rutland LE15 7PP UK

are committed to providing customers with products that comply with applicable regulations and international protocols to which they are subject, including the requirements of the European Parliament Directive on the Harmonization of the laws relating to electrical equipment designed for use within certain voltage limits (2014/35/EU).

Regal Beloit America declares that the following product(s), to which this declaration relates, are in conformity with the relevant sections of the EC standards listed below.

This statement supersedes any statements previously issued pertaining to the product(s) listed below and is subject to change without notice.

Model No : 213TTDBD7201

(Model No. may contain prefix and/or suffix characters)

Catalog No : Y489A

Rework No : N/A

Directives :

Low Voltage Directive 2014/35/EU

Harmonized Standards Used :

EN 60034-1: 2010 (IEC 60034-1: 2010)

EN 60034-5: 2001/A1:2007 (IEC 60034-5: 2000/A1:2006)

Authorized Representative:



Michael A. Logsdon
Vice President, Technology

Authorized Representative in the Community:



Julian Clark
Marketing Engineer

Created on 09/01/2022

CE 22