

PRODUCT INFORMATION PACKET

Model No: 213TPFSA10096

Catalog No: SY008

SyMAX® Fan & Blower Motor, 7.50 HP, 3 Ph, 150 Hz, 460 V, 1800 RPM, 213TC Frame, TEFC



Regal and Marathon are trademarks of Regal Rexnord Corporation or one of its affiliated companies.

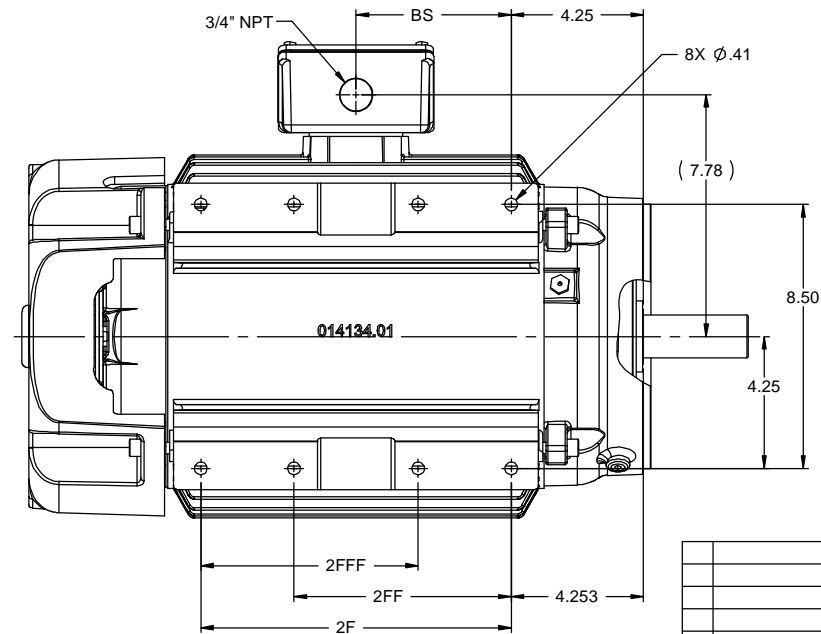
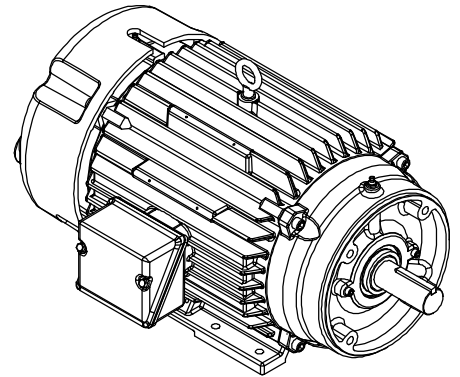
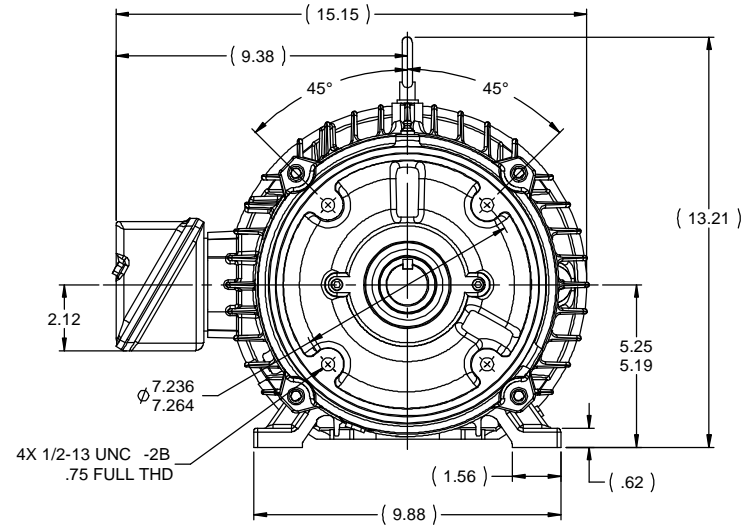
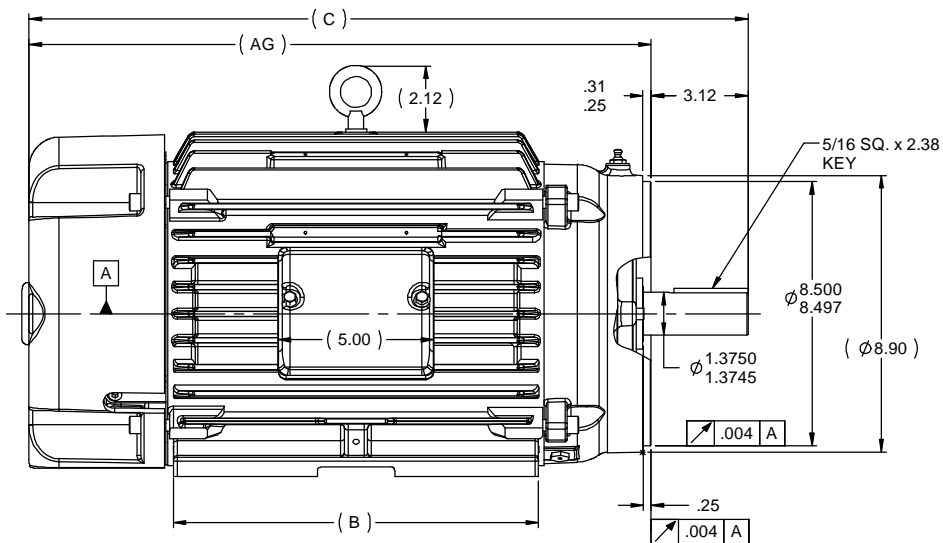
©2023 Regal Rexnord Corporation, All Rights Reserved. MC017097E

Nameplate Specifications

Phase	3	Output HP	7.50 Hp
Output KW	5.6 kW	Voltage	460 V
Speed	1800 rpm	Service Factor	1
Frame	213TC	Enclosure	Totally Enclosed Fan Cooled
Thermal Protection	Thermostat	Efficiency	93 %
Ambient Temperature	40 °C	Frequency	150 Hz
Current	9.4 A	Power Factor	80
Duty	Continuous	Insulation Class	H
Design Code	No Design Code	KVA Code	NO KVA CODE
Drive End Bearing Size	6309	Opp Drive End Bearing Size	6208
UL	Recognized	CSA	Y
CE	Y	IP Code	54
Number of Speeds	1		

Technical Specifications

Electrical Type	AC Permanent Magnet	Starting Method	Inverter Only
Poles	10	Rotation	Reversible
Resistance Main	0 Ohms	Mounting	Rigid Base
Motor Orientation	Horizontal	Drive End Bearing	Ball
Opp Drive End Bearing	Ball	Frame Material	Cast Iron
Shaft Type	T	Overall Length	20.16 in
Frame Length	9.12 in	Shaft Diameter	1.375 in
Shaft Extension	3.12 in	Assembly/Box Mounting	F1 ONLY
Connection Drawing	A-EE7300T	Outline Drawing	B-SS89934-912



DASH	FRAME	B	2F	2FF	2FFF	BS	C	AG
912	213/5TC	8.63	7.00	5.50	5.50	3.50	20.16	17.04
1212	215TC	11.76	10.00	7.00	7.00	5.00	23.16	20.04

NOTE:
 1- CONDUIT BOX CAN BE ROTATED IN 90° STEPS.
 2- NAMEPLATE TO BE READ FROM CONDUIT BOX SIDE OF MOTOR.

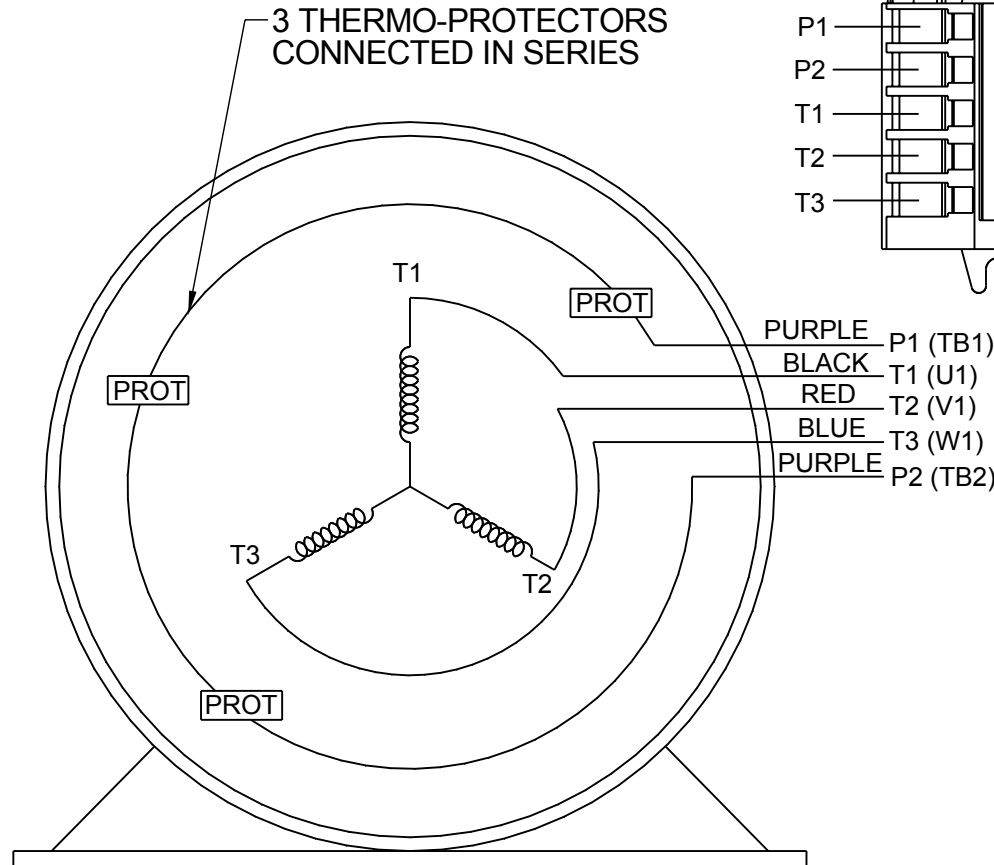
		TOLERANCES UNLESS SPECIFIED				DRAWN NS 06/15/2012	
		DEC	INCHES			CHK MH 06/15/2012	
		X	±.1	TITLE OUTLINE 213/15 - 215TC FR.		APPR DJK 06/15/2012	
		XX	±.03			SCALE 1:4	
		XXX	±.005			REF	
		XXXX	±.0005			FMF MU108224	
NO	REVISION	BY & DATE	CHK	LANG	±7'30"	FINISH	PAGE OF
THIRD ANGLE PROJECTION				RFP	06/15/2012	PREV	SIZE B
		NETWORK FILE NAME SS89934				DRAWING NO SS89934	
						REV	

**THREE PHASE - SINGLE VOLTAGE
MOTOR - CONDUIT BOX @ 'A'**

**TO REVERSE ROTATION:
INTERCHANGE ANY TWO LINE
LEAD CONNECTIONS**

**NOTE FOR FACTORY USE ONLY:
TO SURGE TEST:
FOR 3 LEAD COMMON CONNECT:
CONNECT P1 TO T1 THEN P2 TO L1
FOR 6 LEAD COMMON CONNECT:
CONNECT P1 TO BOTH T1
THEN P2 TO L1**

TERMINAL BLOCK WHEN SPECIFIED

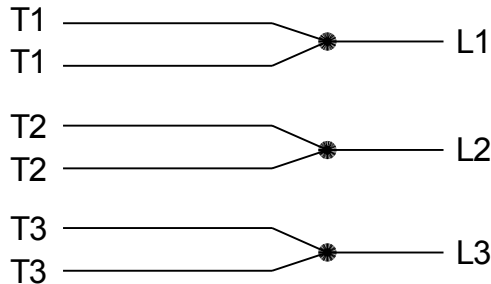


VIEW OF TERMINAL END

- PURPLE P1 (TB1)
- BLACK T1 (U1)
- RED T2 (V1)
- BLUE T3 (W1)
- PURPLE P2 (TB2)

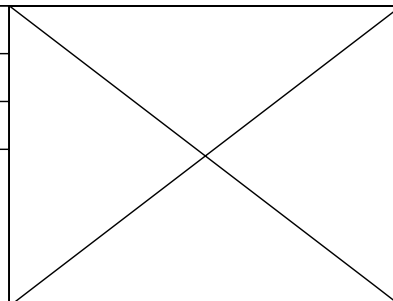
- T2BM
- T6AW
- T6AL
- T6Z
- T4EG
- T4BF
- T8A
- T6H
- T6A
- T4AX
- T4A
- T2A
- T2F

**IF MOTOR HAS MULTIPLE
T'S PER LEAD CONNECT
TOGETHER LIKE T'S**



A-9806 DECAL

DRAWING REVISION AB	REVISION BY AJW	DATE 07-17-2015
ECO ECO-0081632	APPROVED BY T.VUE	DATE 07-17-2015
ECO DESCRIPTION REV'D IEC MARKINGS PER IEC-60034-8		
<small>COPYRIGHT REGAL BELOIT AMERICA, INC. ALL RIGHTS RESERVED. PROPRIETARY AND CONFIDENTIAL INFORMATION - THIS DOCUMENT IS THE PROPERTY OF REGAL BELOIT AMERICA, INC. ("OWNER") AND CONTAINS OWNER'S PROPRIETARY INFORMATION. ANY PERSON, CORPORATION OR OTHER FIRM RECEIVING IT IS DEEMED, BY RECEIVING IT, TO AGREE THAT IT, AND/OR ANY PART OF IT, SHALL NOT BE DISCLOSED TO ANY PERSON, CORPORATION OR OTHER ENTITY, DUPLICATED, AND/OR USED, EXCEPT AS EXPRESSLY APPROVED IN WRITING IN ADVANCE BY OWNER. THIS DOCUMENT SHALL BE RETURNED TO OWNER UPON REQUEST. IT MAY BE SUBJECT TO CERTAIN RESTRICTIONS UNDER APPLICABLE EXPORT CONTROL LAWS AND REGULATIONS.</small>		



DRAWN BY LZ	Regal Beloit America, Inc.	
DATE 01-04-1994		
APPROVED BY GK	DESCRIPTION CONN DIAGRAM-EXTERNAL 3Ø-SINGLE VOLT-MOTOR WITH PROTECTOR	
DATE 01-20-1994	MATERIAL	PROCESS/FINISH
THIRD ANGLE PROJECTION	SIZE A	DRAWING NUMBER EE7300T
		SHEET 1 OF 1

NONE	P/N	NONE	
NONE	NONE		
NONE FT-LB		NONE V	NONE Hz

DATE: 06/22/2017 04:17:23 AM
FORM 3531 REV.3 02/07/99
** Subject to change without notice.