

PRODUCT INFORMATION PACKET

Model No: 213THTS18128
Catalog No: 213THTS18128
7.5,1800,TENV,213T,3/60/460

Regal and are trademarks of Regal Rexnord Corporation or one of its affiliated companies.
©2022 Regal Rexnord Corporation, All Rights Reserved. MC017097E



Nameplate Specifications

Technical Specifications

Outline Drawing

NONE

Connection Drawing

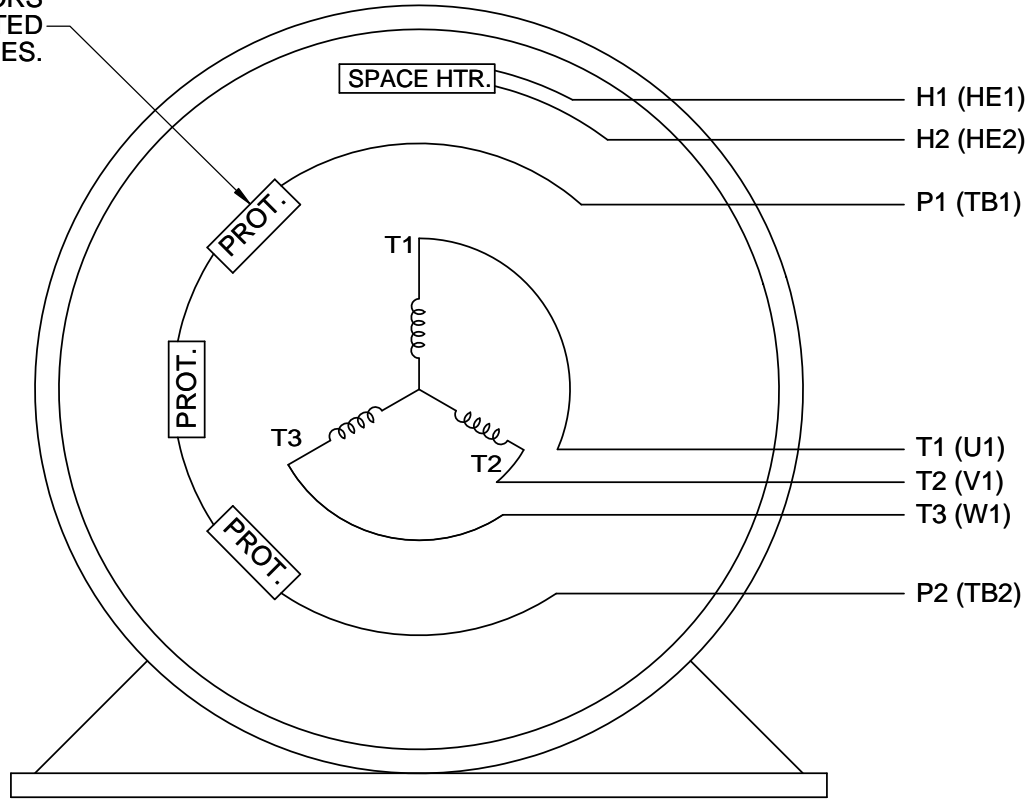
EE7300AK

This is an uncontrolled document once printed or downloaded and is subject to change without notice. Date Created:09/14/2022

TO REVERSE ROTATION:
INTERCHANGE ANY TWO
LINE LEAD CONNECTIONS.

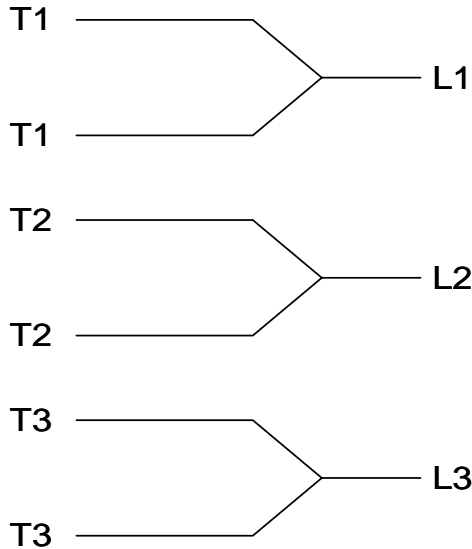
P1 AND P2 PROTECTORS
TO VOLTAGE CONTROL

PROTECTORS
CONNECTED
IN SERIES.


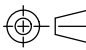


VIEW OF TERMINAL END

IF MOTOR OR GENERATOR
HAS 6 LEADS



A-9806 DECAL

DRAWING REVISION J	REVISION BY J. OTTO	DATE 04-13-2017	TOLERANCES UNLESS OTHERWISE SPECIFIED:		DRAWN BY MJD	 Regal Beloit America, Inc.
ECO ECO-0121568	APPROVED BY T. VUE	DATE 04-18-2017	DEC.	INCH	mm	
ECO DESCRIPTION ADDED IEC NOTATIONS			.X	±0.1	[±2.5]	±7' 30"
COPYRIGHT REGAL BELOIT AMERICA, INC. ALL RIGHTS RESERVED. PROPRIETARY AND CONFIDENTIAL INFORMATION - THIS DOCUMENT IS THE PROPERTY OF REGAL BELOIT AMERICA, INC. ('OWNER') AND CONTAINS OWNER'S PROPRIETARY INFORMATION. ANY PERSON, CORPORATION OR OTHER FIRM RECEIVING IT IS DEEMED, BY RECEIVING IT, TO AGREE THAT IT, AND/OR ANY PART OF IT, SHALL NOT BE DISCLOSED TO ANY PERSON, CORPORATION OR OTHER ENTITY, DUPLICATED, AND/OR USED, EXCEPT AS EXPRESSLY APPROVED IN WRITING IN ADVANCE BY OWNER. THIS DOCUMENT SHALL BE RETURNED TO OWNER UPON REQUEST. IT MAY BE SUBJECT TO CERTAIN RESTRICTIONS UNDER APPLICABLE EXPORT CONTROL LAWS AND REGULATIONS.			.XX	±0.02	[±0.51]	
			.XXX	±0.005	[±0.127]	
			.XXXX	±0.0005	[±0.0127]	
			REMOVE BURRS & BREAK SHARP			
			EDGES: .003/.015 [.076/.381]			
			CORNER FILLETS: .02 [.51]			
			MACHINED SURFACES: 200 INCH 5.1 mm			
			mm SHOWN IN [BRACKETS]			
			THIRD ANGLE PROJECTION			SIZE A
			DATE 06-24-2014		APPROVED BY TB	DESCRIPTION CONN DIAGRAM-INTERNAL SINGLE VOLT-3Ø MOTOR
			DATE 07-06-1998		REFERENCE	MATERIAL
						PROCESS/FINISH
						DRAWING NUMBER EE7300AK
						SHEET 1 OF 1