

PRODUCT INFORMATION PACKET

Model No: 213TCDW7003

Catalog No: Z429

Close-Coupled Pump Motor, 7.50 HP, 1 Ph, 60 Hz, 230 V, 3600 RPM, 213JP Frame, DP



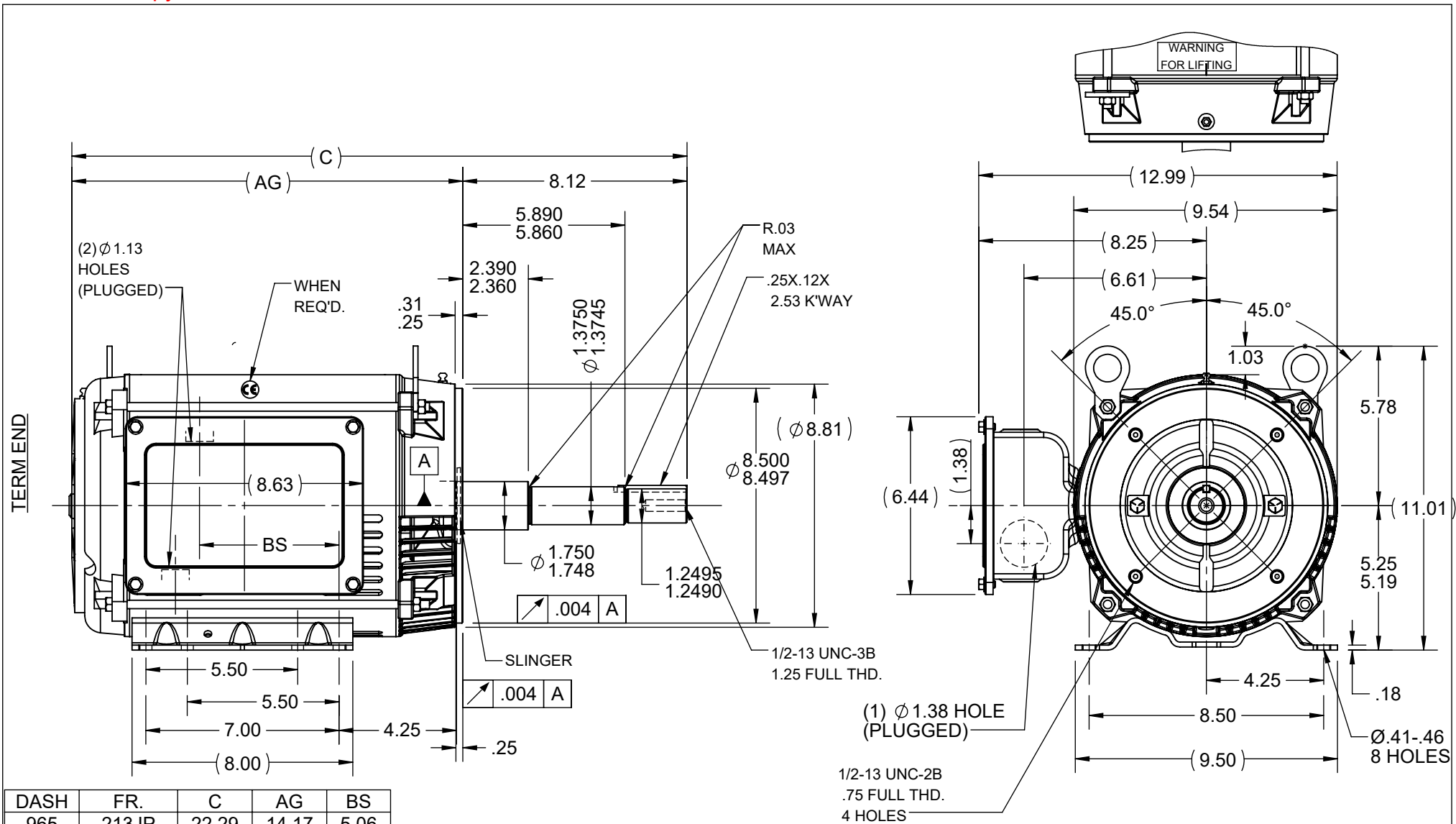
Regal and Marathon are trademarks of Regal Rexnord Corporation or one of its affiliated companies.
©2022 Regal Rexnord Corporation, All Rights Reserved. MC017097E

Nameplate Specifications

Output HP	7.50 Hp	Output KW	5.6 kW
Frequency	60 Hz	Voltage	230 V
Current	37.0 A	Speed	3470 rpm
Service Factor	1.15	Phase	1
Efficiency	78.5 %	Power Factor	82.5
Duty	Continuous	Insulation Class	B
Design Code	L	KVA Code	F
Frame	213JP	Enclosure	Drip Proof
Thermal Protection	No Protection	Ambient Temperature	40 °C
Drive End Bearing Size	6309	Opp Drive End Bearing Size	6206
UL	Recognized	CSA	Y
CE	Y	IP Code	22
Number of Speeds	1		

Technical Specifications

Electrical Type	Capacitor Start Induction Run	Starting Method	Across The Line
Poles	2	Rotation	Selective Counterclockwise
Resistance Main	0 Ohms	Mounting	Rigid Base
Motor Orientation	Horizontal	Drive End Bearing	Ball
Opp Drive End Bearing	Ball	Frame Material	Rolled Steel
Shaft Type	JP	Overall Length	22.29 in
Frame Length	9.65 in	Shaft Diameter	1.250 in
Shaft Extension	8.12 in	Assembly/Box Mounting	F1 ONLY
Outline Drawing	037644-965	Connection Drawing	A-EE7090JR



DASH	FR.	C	AG	BS
965	213JP	22.29	14.17	5.06
1115	213/15JP	23.79	15.67	6.56
1240	213/15JP	25.04	16.92	7.81

NOTE:
1. NAMEPLATE TO BE READ FROM C'BOX SIDE OF MOTOR.

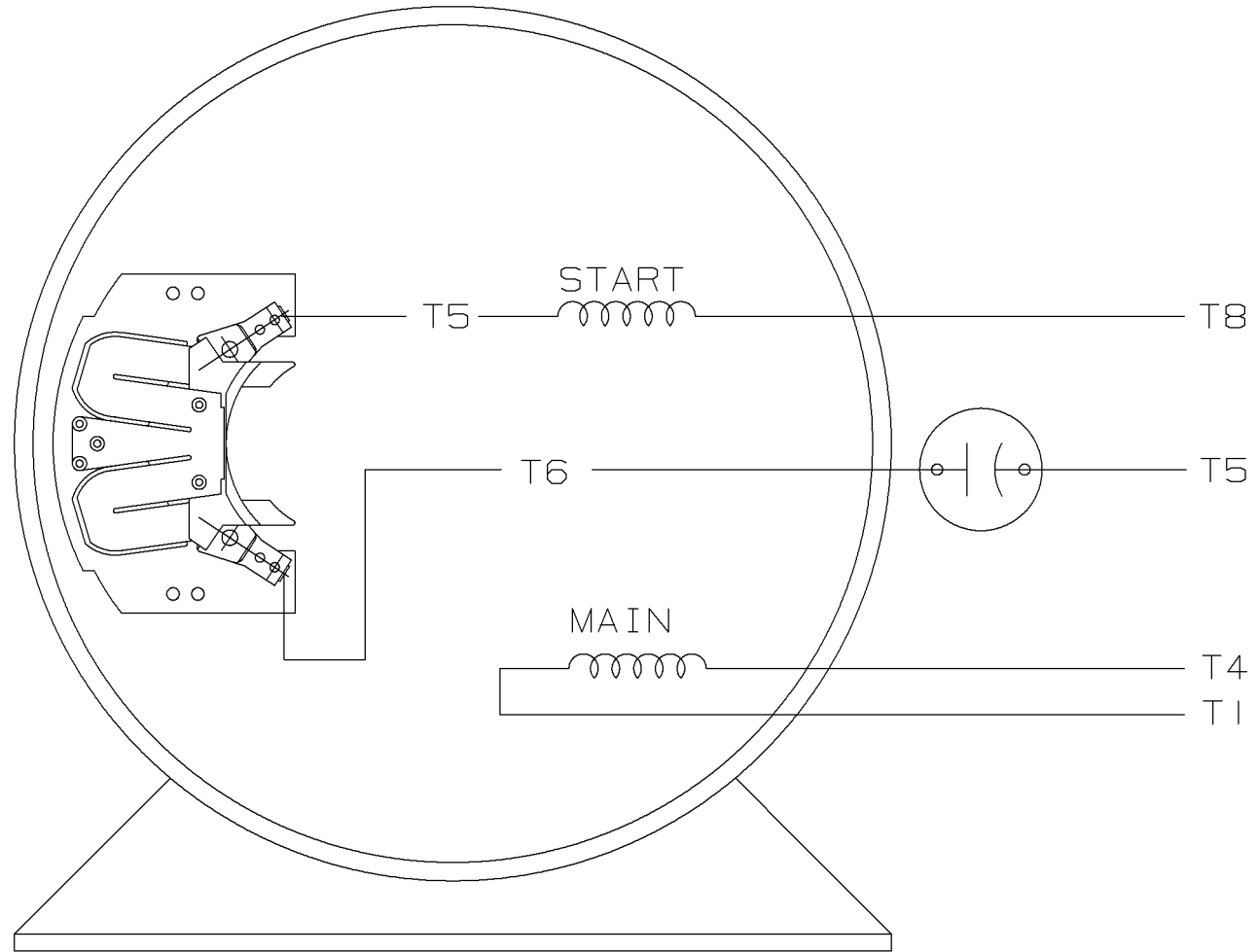
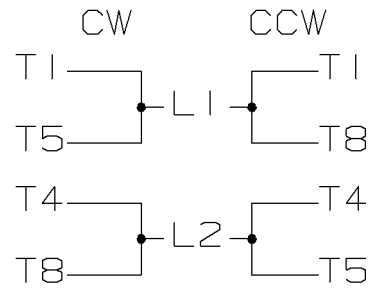
DRAWING REVISION F	REVISION BY KR	REV DATE/© DATE 03/30/2022
REQUEST NUMBER CR-0008033	APPROVED BY MN	DATE 03/30/2022
REQUEST NUMBER DESCRIPTION REDRAWN IN SOLIDWORKS		
<small>COPYRIGHT (PER REVISION DATE) REGAL BELOIT AMERICA, INC. ALL RIGHTS RESERVED. PROPRIETARY AND CONFIDENTIAL INFORMATION - THIS DOCUMENT IS THE PROPERTY OF REGAL BELOIT AMERICA, INC. ("OWNER") AND CONTAINS OWNER'S PROPRIETARY INFORMATION. ANY PERSON, CORPORATION OR OTHER FIRM RECEIVING IT IS DEEMED, BY RECEIVING IT, TO AGREE THAT IT, AND/OR ANY PART OF IT, SHALL NOT BE DISCLOSED TO ANY PERSON, CORPORATION OR OTHER ENTITY, DUPLICATED, AND/OR USED, EXCEPT AS EXPRESSLY APPROVED IN WRITING IN ADVANCE BY OWNER. THIS DOCUMENT SHALL BE RETURNED TO OWNER UPON REQUEST. IT MAY BE SUBJECT TO CERTAIN RESTRICTIONS UNDER APPLICABLE EXPORT CONTROL LAWS AND REGULATIONS.</small>		

TOLERANCES (EXCEPT AS NOTED):			
DEC.	INCH	mm	ANGLE
.X	±0.1	[±3]	±7' 30"
.XX	±0.03	[±0.8]	
.XXX	±0.005	[±0.13]	
.XXXX	±0.0005	[±0.013]	
REMOVE BURRS & BREAK SHARP EDGES: .003/.015 [.08/.38] X 45°			
CORNER FILLETS: R.02 [.5]			
MACHINED SURFACES: 200/ 5.1			
INCH √ mm √			
mm DIMENSIONS IN [BRACKETS] ARE FOR REFERENCE ONLY			

DRAWN BY GRB
DATE 14/11/08
APPROVED BY SK
DATE 14/11/08
REFERENCE SS86684
THIRD ANGLE PROJECTION

		Regal Beloit America, Inc.	
DESCRIPTION OUTLINE 210 JP FR. DP - 'C' FACE			
MATERIAL		PROCESS/FINISH	
SIZE A	DRAWING NUMBER 037644		SHEET 1 OF 1

SINGLE VOLTAGE CAPACITOR START MOTOR, ELECTRICALLY REVERSIBLE



VIEW OF TERMINAL END

				✓ MAX. SURFACE ROUGHNESS UNLESS NOTED OTHERWISE	UNLESS OTHERWISE SPECIFIED DIMENSIONS ARE IN INCHES TOL. ON XX± .02 XXX± .005 XXXX± .0005 ANGLES± 7'30"		
				MATL SPEC			DRAWN BY GK 01-10-1987
				FINISH	MARATHON ELECTRIC		CHKD BY
1	01-10-1987	NEW DRAWING	CN-7664C	GK	WAUSAU, WISCONSIN 54401		APPD BY
REV	DATE	CHANGE		NAME	PART NAME CONNECTION DIAGRAM		DRWG NO A- EE7090JR

SHOP BOOK

PURCHASED

DISTRIBUTION - WA - LB - WP - LM - BR

CADD FILE NO.

EE7090JR

ERROR: syntaxerror
OFFENDING COMMAND: --nostringval--

STACK:

214
/Otilde
213
/Ocircumflex
212
/Oacute
211
/Ograve
210
/Ntilde
209
/Eth
208
/Idieresis
207
/Icircumflex
206
/Iacute
205
/Igrave
204
/Edieresis
203
/Ecircumflex
202
/Eacute
201
/Egrave
200
/Ccedilla
199
/AE
198
/Aring
197
/Adieresis
196
/Atilde
195
/Acircumflex
194
/Aacute
193
/Agrave
192
/questiondown
191
/threequarters
190
/onehalf
189
/onequarter
188
/guillemotright
187
/ordmasculine
186
/onesuperior
185
/cedilla
184
/periodcentered
183
/paragraph
182
/mu
181
/acute

CERTIFICATION DATA SHEET

Model#: 213TCDW7003 AB WINDING#: CK10249 NONE 2
 CONN. DIAGRAM: A-EE7090JR ASSEMBLY: F1 ONLY
 OUTLINE: 037644-965

TYPICAL MOTOR PERFORMANCE DATA

HP	KW	SYNC. RPM	F.L. RPM	FRAME	ENCLOSURE	KVA CODE	DESIGN
7 1/2	5.6	3600	3470	213JP	DP	F	L

PH	Hz	VOLTS	FL AMPS	START TYPE	DUTY	INSL	S.F	AMB°C	ELEVATION
1	60	230	37	ACROSS THE LINE	CONTINUOUS	B4	1.15	40	3300

FULL LOAD EFF: 78.5	3/4 LOAD EFF: 78.1	1/2 LOAD EFF: 77.1	GTD. EFF	ELEC. TYPE	NO LOAD AMPS
FULL LOAD PF: 82.5	3/4 LOAD PF: 894.6	1/2 LOAD PF: 68.1	0	CAP START IND RUN	16.6

F.L. TORQUE	LOCKED ROTOR AMPS	L.R. TORQUE	B.D. TORQUE	F.L. RISE°C
11.3 LB-FT	173	15.6 LB-FT 138	23.2 LB-FT 205	55

SOUND PRESSURE @ 3 FT.	SOUND POWER	ROTOR WK^2	MAX. WK^2	SAFE STALL TIME	STARTS /HOUR	APPROX. MOTOR WGT
0 dBA	10 dBA	0 LB-FT^2	0 LB-FT^2	10 SEC.	0	0 LBS.

*** SUPPLEMENTAL INFORMATION ***

DE BRACKET TYPE	ODE BRACKET TYPE	MOUNT TYPE	ORIENTATION	SEVERE DUTY	HAZARDOUS LOCATION	DRIP COVER	SCREENS	PAINT
C-FACE	STANDARD	RIGID	HORIZONTAL	FALSE	NONE	FALSE	NONE	BLUE (ENAMEL)

BEARINGS		GREASE	SHAFT TYPE	SPECIAL DE	SPECIAL ODE	SHAFT MATERIAL	FRAME MATERIAL
DE	OPE						
BALL	BALL	POLYREX EM	JP	NONE	NONE	AISI 1045 (C-240)	ROLLED STEEL
6309	6206						

THERMO-PROTECTORS				THERMISTORS	CONTROL	SPACE /n HEATERS
THERMOSTATS	PROTECTORS	WDG RTDs	BRG RTDs			
NONE	NOT	NONE	NONE	NONE	FALSE	NONE VOLTS

If Inverter equals NONE, contact factory for further information

*
N
O
T
E
S
*

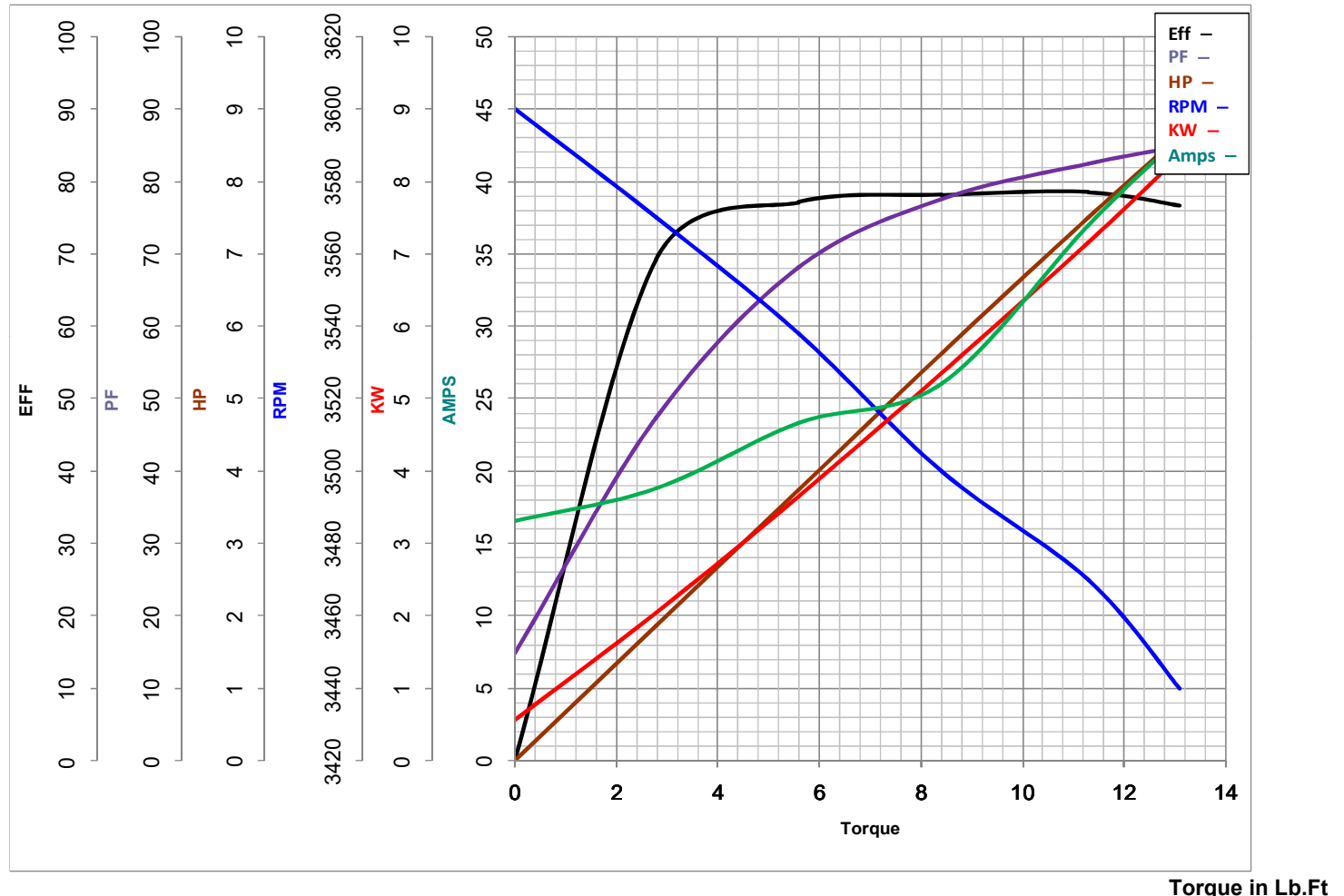
INVERTER TORQUE: NONE
INV. HP SPEED RANGE: NONE
ENCODER: NONE
NONE NONE
NONE NONE PPR
BRAKE: NONE NONE
NONE P/N NONE
NONE NONE
- FT-LB NONE V NONE Hz

DATE: 06/21/2017 10:15:02 AM
 FORM 3531 REV.3 02/07/99
 ** Subject to change without notice.



MARATHON ELECTRIC CORPORATION
TYPICAL PERFORMANCE CURVE for AC MOTOR

Customer _____ Curve at 230 Volts HP 7.50 PHASE 1
 Model No 213TCDW7003 60 HZ
7.5 HP VOLTS 230
 Catalog No Z429 HZ 60 RPM 3470



FL TORQUE	<u>11.3</u>	Lb.Ft	FL AMPS	<u>37</u>	
BD TORQUE	<u>23.2</u>	Lb.Ft	PU TORQUE	<u>14.0</u>	Lb.Ft
LR TORQUE	<u>15.6</u>	Lb.Ft	LR AMPS	<u>173</u>	
WINDING	CK10249-2		Date	1/17/2019	

EC Declaration of Conformity

The undersigned representing
the manufacturer:

Regal Beloit America
100 East Randolph St.
Wausau, WI 54401

and the authorized representative
established within the Community:

Marathon Electric UK
6F Thistleton Road Ind. Estate
Market Overton
Oakham, Rutland LE15 7PP UK

are committed to providing customers with products that comply with applicable regulations and international protocols to which they are subject, including the requirements of the European Parliament Directive on the Harmonization of the laws relating to electrical equipment designed for use within certain voltage limits (2014/35/EU).

Regal Beloit America declares that the following product(s), to which this declaration relates, are in conformity with the relevant sections of the EC standards listed below.

This statement supersedes any statements previously issued pertaining to the product(s) listed below and is subject to change without notice.

Model No : 213TCDW7003

(Model No. may contain prefix and/or suffix characters)

Catalog No : Z429

Rework No : N/A

Directives :

Low Voltage Directive 2014/35/EU

Harmonized Standards Used :

EN 60034-1: 2010 (IEC 60034-1: 2010)

EN 60034-5: 2001/A1:2007 (IEC 60034-5: 2000/A1:2006)

Authorized Representative:



Michael A. Logsdon
Vice President, Technology

Authorized Representative in the Community:



Julian Clark
Marketing Engineer

Created on 09/01/2022

CE 22