

PRODUCT INFORMATION PACKET

marathon®
Motors

Model No: 200LTFC6513

Catalog No: R348A

Globetrotter® IEC Cast Iron Motor, 50 & 40 HP, 3 Ph, 60 & 50 Hz, 230/460 & 200/400 V,
3600 & 3000 RPM, 200L Frame, TEFC



Regal and Marathon are trademarks of Regal Rexnord Corporation or one of its affiliated companies.

©2023 Regal Rexnord Corporation, All Rights Reserved. MC017097E

RegalRexnord

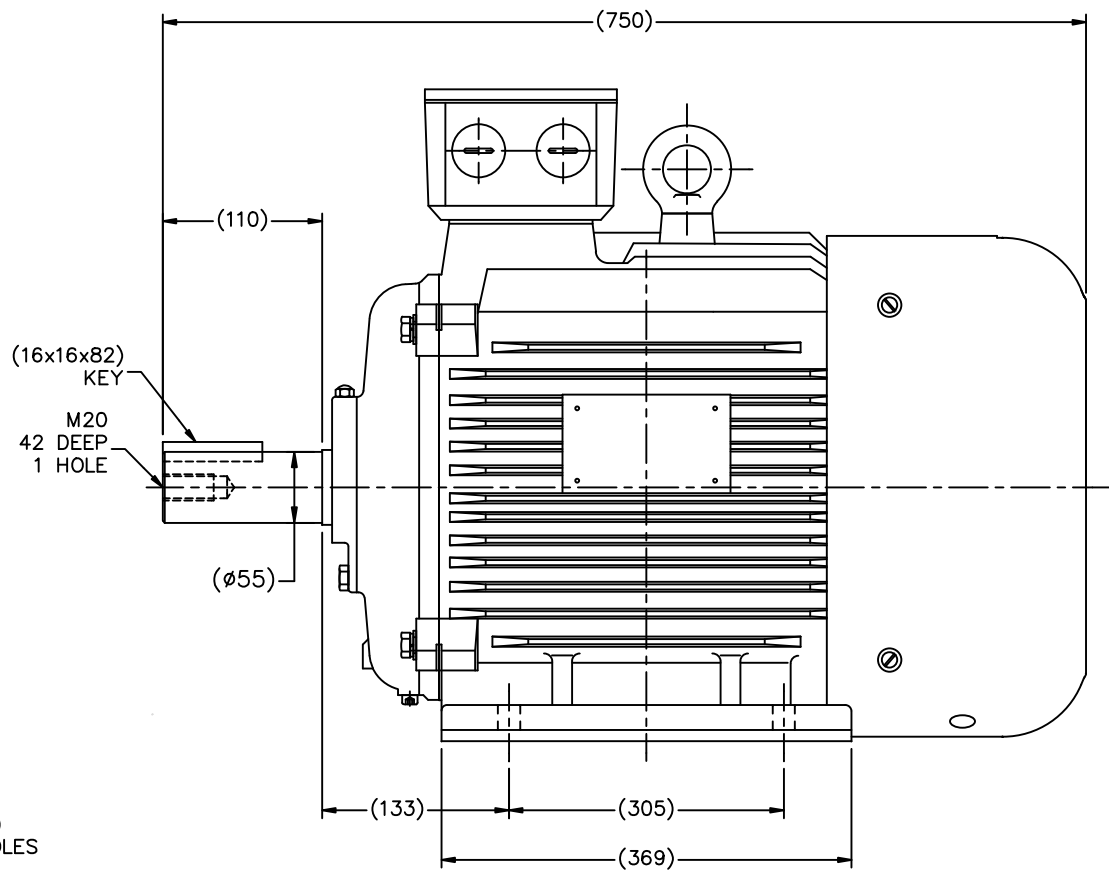
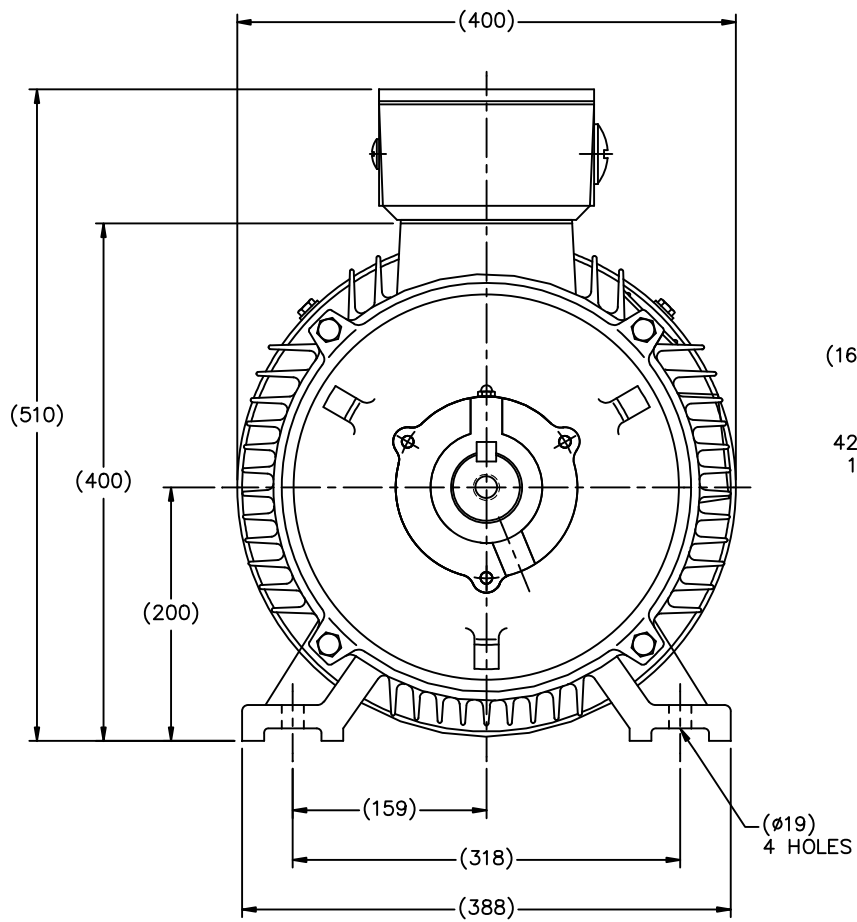


Nameplate Specifications

| | | | |
|------------------------|--------------------------------|----------------------------|------------------------------------|
| Phase | 3 | Output HP | 50 & 40 Hp |
| Output KW | 37.0 & 30.0 kW | Voltage | 230/460 & 200/400 V |
| Speed | 3560 & 2965 rpm | Service Factor | 1.15 & 1.15 |
| Frame | 200L | Enclosure | Totally Enclosed Fan Cooled |
| Thermal Protection | No Protection | Efficiency | 94.1 & 94.1 % |
| Ambient Temperature | 40 °C | Frequency | 60 & 50 Hz |
| Current | 112/56 & 105/52.5 A | Power Factor | 89 |
| Duty | Continuous | Insulation Class | F |
| Design Code | B | KVA Code | H |
| Drive End Bearing Size | 6212 | Opp Drive End Bearing Size | 6212 |
| UL | No | CSA | N |
| CE | Y | IP Code | 54 |
| Number of Speeds | 1 | | |

Technical Specifications

| | | | |
|-----------------------|-------------------------------------|-------------------|---|
| Electrical Type | Squirrel Cage Inverter Rated | Starting Method | Part Wdg Start & Wye Start Delta Run Or Inverter |
| Poles | 2 | Rotation | Reversible |
| Resistance Main | .1058 Ohms | Mounting | Rigid Base |
| Motor Orientation | Horizontal | Drive End Bearing | Ball |
| Opp Drive End Bearing | Ball | Frame Material | Cast Iron |
| Shaft Type | IEC | Overall Length | 29.52 in |
| Shaft Diameter | 2.166 in | Shaft Extension | 4.31 in |
| Assembly/Box Mounting | F3 | | |
| Connection Drawing | 004172.03ME | Outline Drawing | B-SS622240 |



(MAY NOT BE DRAWN TO SCALE)

(DIMENSIONS ARE IN MILLIMETERS)

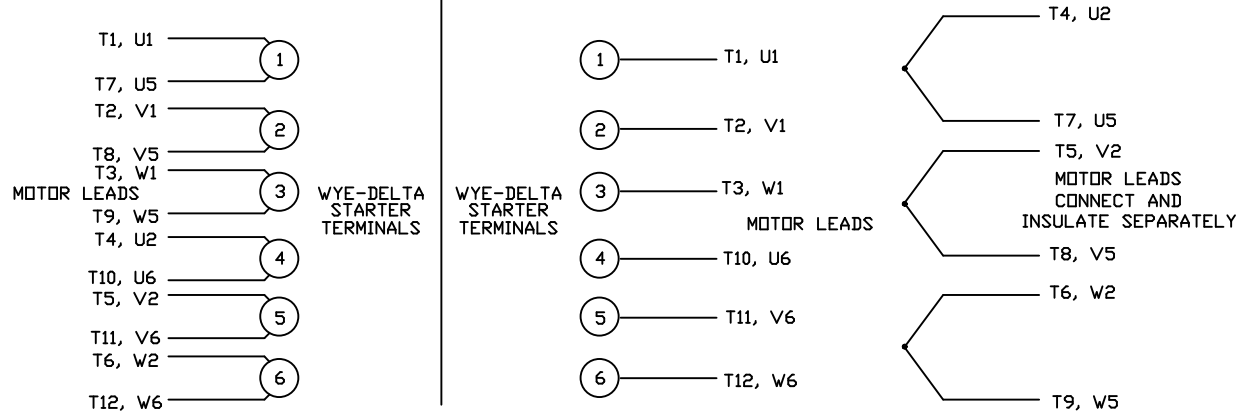
| | |
|--------|-----------|
| DF200L | 193327.60 |
| | 193330.60 |
| | 193328.60 |
| | 193323.60 |
| | 193326.60 |
| FRAME | PART # |

| | | | | | | | |
|--|----------|-----------|-----|-----------------------------|------------|-----------------------------|--------------------------|
| | | | | TOLERANCES UNLESS SPECIFIED | | | DRAWN MSG 11-17-2010 |
| | | | | DEC. | METRIC | | CHK MJS 11-18-2010 |
| | | | | .X | ±2.5 | APPD SB 11-18-2010 | SCALE 1=4 |
| | | | | .XX | ±.76 | TITLE OUTLINE - IEC PREMIUM | |
| | | | | .XXX | ±.127 | DF200L-2, 4, 6 | |
| | | | | .XXXX | ±.0127 | MAT'L | REF |
| NO. | REVISION | BY & DATE | CHK | ANG | ±7'30" | FINISH | FMF HEBEI |
| THIS DRAWING IN DESIGN AND DETAIL IS OUR PROPERTY AND MUST NOT BE USED EXCEPT IN CONNECTION WITH OUR WORK ALL RIGHTS OF DESIGN AND INVENTION ARE RESERVED THIS IS AN ELECTRONICALLY GENERATED DOCUMENT - DO NOT SCALE THIS PRINT | | | | RFP | 11-18-2010 | CAD FILE SS622240 | PREV |
| | | | | | | SIZE | DRAWING NO. PAGE OF REV. |
| | | | | | | B | SS622240 |

WYE - DELTA STARTING USEABLE ON 2,4 AND 6 POLE MOTORS.

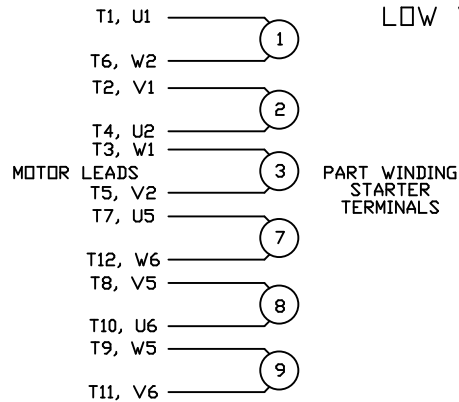
LOW VOLTAGE CONNECTION

HIGH VOLTAGE CONNECTION



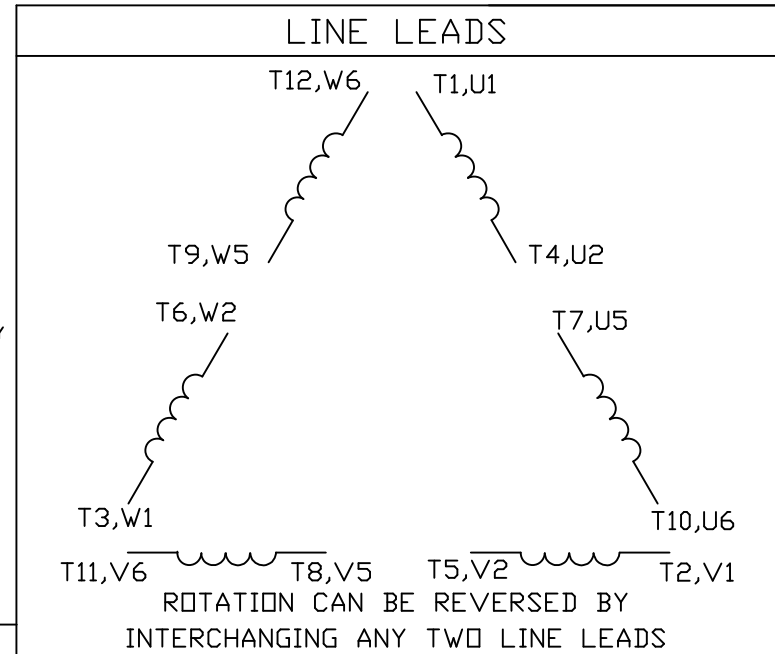
REFER TO THE WYE-DELTA STARTER CONNECTION INSTRUCTIONS FOR PROPER CONNECTION OF POWER LINES TO STARTER.

PART WINDING START USABLE ON 4 & 6 POLE MOTORS
LOW VOLTAGE CONNECTION ONLY



REFER TO THE PART WINDING STARTER INSTRUCTIONS FOR PROPER CONNECTION OF POWER LINES TO STARTER.

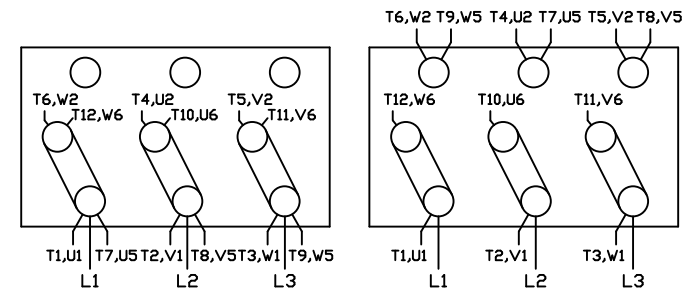
REFER TO THE CUTLER - HAMMER OR EQUIV. FOR PROPER SELECTION OF OVERLOAD HEATER COILS.



12 LEAD DELTA CONNECTION ACROSS THE LINE START
(FOR Y START DELTA RUN, REMOVE THE JUMPERS)

LOW VOLTAGE
(MUST BE REWIRED AS SHOWN)

HIGH VOLTAGE
(FACTORY WIRED FOR HIGH VOLTAGE AS SHOWN)



TOLERANCES UNLESS SPECIFIED

DEC. INCHES

.X ±.1

.XX ±.01

.XXX ±.005

.XXXX ±.0005

ANG ±1/2*



TITLE DELTA - WYE CONNECTION DIAGRAM
IEC CAST IRON MOTORS

MAT'L.

FINISH

DRAWN CJW 08/28/02

CHK

APPD

SCALE 1=1

REF

FMF

PREV

NO. REVISION BY & DATE

THIS DRAWING IN DESIGN AND DETAIL IS OUR PROPERTY AND MUST NOT BE USED EXCEPT IN CONNECTION WITH OUR WORK ALL RIGHTS OF DESIGN AND INVENTION ARE RESERVED THIS IS AN ELECTRONICALLY GENERATED DOCUMENT - DO NOT SCALE THIS PRINT

RFP

DIST

CAD FILE 00417203ME

SIZE DRAWING NO.

A 004172-03ME

REV.

CERTIFICATION DATA SHEET

Model#: 200LTFC6513 AA
CONN. DIAGRAM: 4172.03ME
OUTLINE: B-SS622240

WINDING#: T16102018 NONE 3
ASSEMBLY: F3

TYPICAL MOTOR PERFORMANCE DATA

| HP | KW | SYNC. RPM | F.L. RPM | FRAME | ENCLOSURE | KVA CODE | DESIGN |
|-------|-------|-----------|-----------|-------|-----------|----------|--------|
| 50&40 | 37&30 | 3600 | 3560&2965 | 200L | TEFC | H | B |

| PH | Hz | VOLTS | FL AMPS | START TYPE | DUTY | INSL | S.F | AMB°C | ELEVATION |
|----|-------|---------------------|---------------------|--------------------------|----------------|------|-----------|-------|-----------|
| 3 | 60/50 | 230/460#200/ 400 | 112/56&105/5 2.5 | PWS & YDRUN OR INV | CONTINUOU S | F5 | 1.15/1.15 | 40 | 3300 |

| FULL LOAD EFF: 94.1&94.1 | 3/4 LOAD EFF: 94.1 | 1/2 LOAD EFF: 93 | GTD. EFF | ELEC. TYPE | NO LOAD AMPS |
|-----------------------------|--------------------|------------------|----------|-------------------|--------------|
| | | | 93 | SQ CAGE INV RATED | 29 / 14.5 |

| F.L. TORQUE | LOCKED ROTOR AMPS | L.R. TORQUE | B.D. TORQUE | F.L. RISE°C |
|-------------|-------------------|---------------|-----------------|-------------|
| 73.5 LB-FT | 820 / 410 | 149 LB-FT 202 | 216.5 LB-FT 294 | 60 |

| SOUND PRESSURE @ 3 FT. | SOUND POWER | ROTOR WK^2 | MAX. WK^2 | SAFE STALL TIME | STARTS /HOUR | APPROX. MOTOR WGT |
|---------------------------|-------------|------------|-----------|-----------------|-----------------|----------------------|
| 72 dBA | 82 dBA | - LB-FT^2 | - LB-FT^2 | 15 SEC. | 2 | 585 LBS. |

*** SUPPLEMENTAL INFORMATION ***

| DE BRACKET TYPE | ODE BRACKET TYPE | MOUNT TYPE | ORIENTATION | SEVERE DUTY | HAZARDOUS LOCATION | DRIP COVER | SCREENS | PAINT |
|--------------------|---------------------|---------------|-------------|------------------------|-----------------------|---------------|---------|------------------|
| STANDARD | STANDARD | RIGID | HORIZONTAL | PREMIUM SEVERE DUTY | NONE | FALSE | NONE | BLUE (ENAMEL) |

| BEARINGS | | GREASE | SHAFT TYPE | SPECIAL DE | SPECIAL ODE | SHAFT MATERIAL | FRAME MATERIAL |
|----------|------|------------|--------------|------------|-------------|----------------------------|-------------------|
| DE | OPE | | | | | | |
| BALL | BALL | POLYREX EM | STANDARD IEC | NONE | NONE | 1045 HOT ROLLED (C-204) | CAST IRON |
| 6312 | 6312 | | | | | | |

| THERMO-PROTECTORS | | | | THERMISTORS | CONTROL | SPACE /n HEATERS |
|-------------------|------------|----------|----------|-------------|---------|------------------|
| THERMOSTATS | PROTECTORS | WDG RTDs | BRG RTDs | | | |
| NONE | NOT | NONE | NONE | NONE | FALSE | NONE VOLTS |

If Inverter equals NONE, contact factory for further information

| |
|---------------------------------------|
| INVERTER TORQUE: CONSTANT 10:1 |
| INV. HP SPEED RANGE: 1.5 X BASE SPEED |
| ENCODER: NONE |
| NONE NONE |
| NONE NONE PPR |
| BRAKE: NONE NONE |
| NONE P/N NONE |
| NONE NONE |
| NONE FT-LB NONE V NONE Hz |

*
N
O
T
E
S
*

DATE: 06/22/2017 03:44:19 AM
 FORM 3531 REV.3 02/07/99
 ** Subject to change without notice.

Data Sheet

Date: 19-06-2017
Customer: _____
Attention: _____
Submitted by: FAREEDA DUDEKULA



200LTC6513

Submittal

Data @ **460 V**

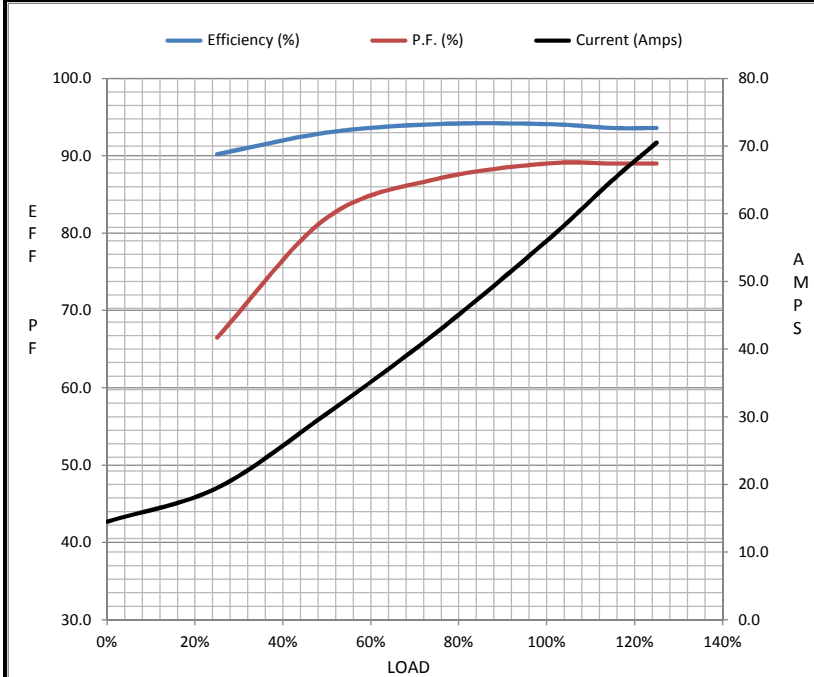
Motor Load Data

| Load | 0% | 25% | 50% | 75% | 100% | 115% | 125% | LR |
|----------------|------|------|------|------|------|-------|------|------|
| Current (Amps) | 14.5 | 19.5 | 30.5 | 42.5 | 56.0 | 65.0 | 70.5 | 410 |
| Torque (ft-lb) | 0.00 | 18.3 | 36.5 | 55.0 | 73.5 | 85.0 | 92.5 | 149 |
| RPM | 3600 | 3590 | 3580 | 3570 | 3560 | 3,555 | 3550 | 0 |
| Efficiency (%) | | 90.2 | 93.0 | 94.1 | 94.1 | 93.6 | 93.6 | |
| P.F. (%) | 8.5 | 66.5 | 82.0 | 87.0 | 89.0 | 89.0 | 89.0 | 34.5 |

Motor Speed Data

| | LR | Pull-Up | BD | Rated | Idle |
|----------------|-----|---------|------|-------|------|
| Speed (RPM) | 0 | 1800 | 3330 | 3560 | 3600 |
| Current (Amps) | 410 | 379 | 249 | 56.0 | 14.5 |
| Torque (ft-lb) | 149 | 122 | 217 | 73.5 | 0.00 |

| Information Block | | | | |
|-----------------------------|-------------------------|--------|--------|--------|
| HP | 50.0 | | | |
| Sync. RPM | 3600 | | | |
| Frame | 200 | | | |
| Enclosure | TEFC | | | |
| Construction | TFC | | | |
| Voltage | 230/460#200/40(V) | | | |
| Frequency | 60 Hz | | | |
| Design | A | | | |
| LR Code letter | H | | | |
| Service Factor | 1.15 | | | |
| Temp Rise @ FL | 60 ° C | | | |
| Duty | CONT | | | |
| Ambient | 40 ° C | | | |
| Elevation | 1,000 feet | | | |
| Rotor/Shaft wk ² | 0.00 Lb-Ft ² | | | |
| Ref Wdg | T16102018 NONE | | | |
| Sound Pressure @ 1M | 72 dBA | | | |
| VFD Rating | CONSTANT 10:1 | | | |
| Outline Dwg | B-SS622240 | | | |
| Conn. Diag | 4172.03ME | | | |
| Additional Specifications: | | | | |
| 0 | | | | |
| 365THFS8036 | | | | |
| EQUIV CKT (OHMS / PHASE) | | | | |
| R1 | R2 | X1 | X2 | Xm |
| 0.0000 | 0.0000 | 0.0000 | 0.0000 | 0.0000 |



Speed - Torque Curve

