

PRODUCT INFORMATION PACKET

marathon[®]
Motors

Model No: 200LTFC4538

Catalog No: R346

Cast Iron Motor, 40 & 40 HP, 3 Ph, 60 & 50 Hz, 230/460 & 200/400 V, 1800 & 1500 RPM, 200L Frame,
TEFC

Regal and Marathon are trademarks of Regal Rexnord Corporation or one of its affiliated companies.

©2023 Regal Rexnord Corporation, All Rights Reserved. MC017097E

RegalRexnord

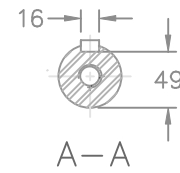
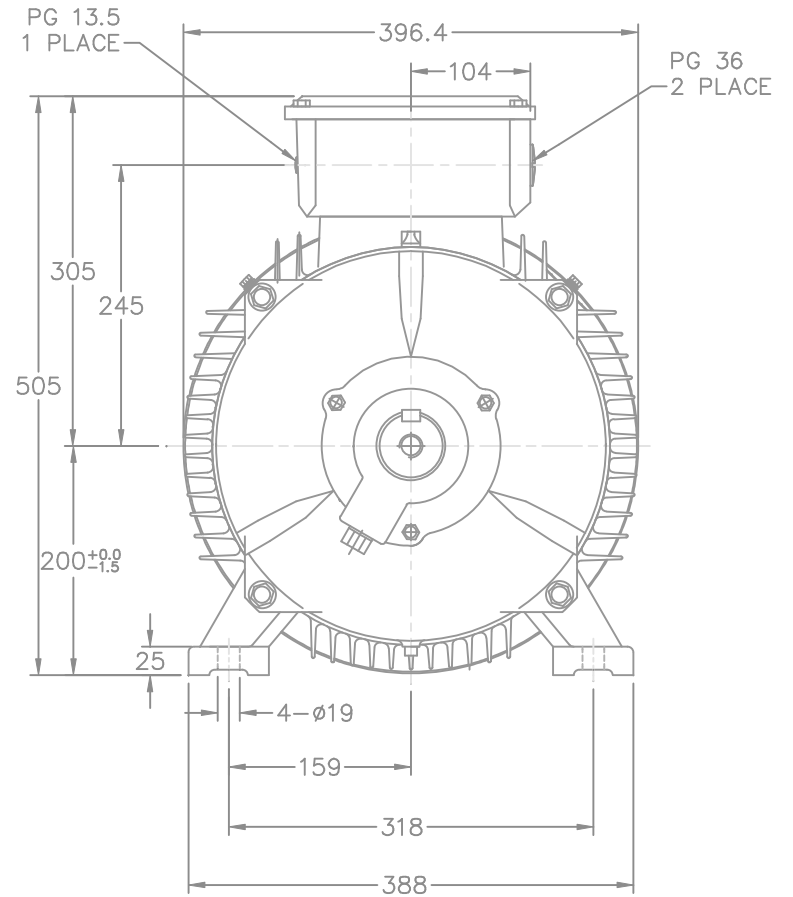
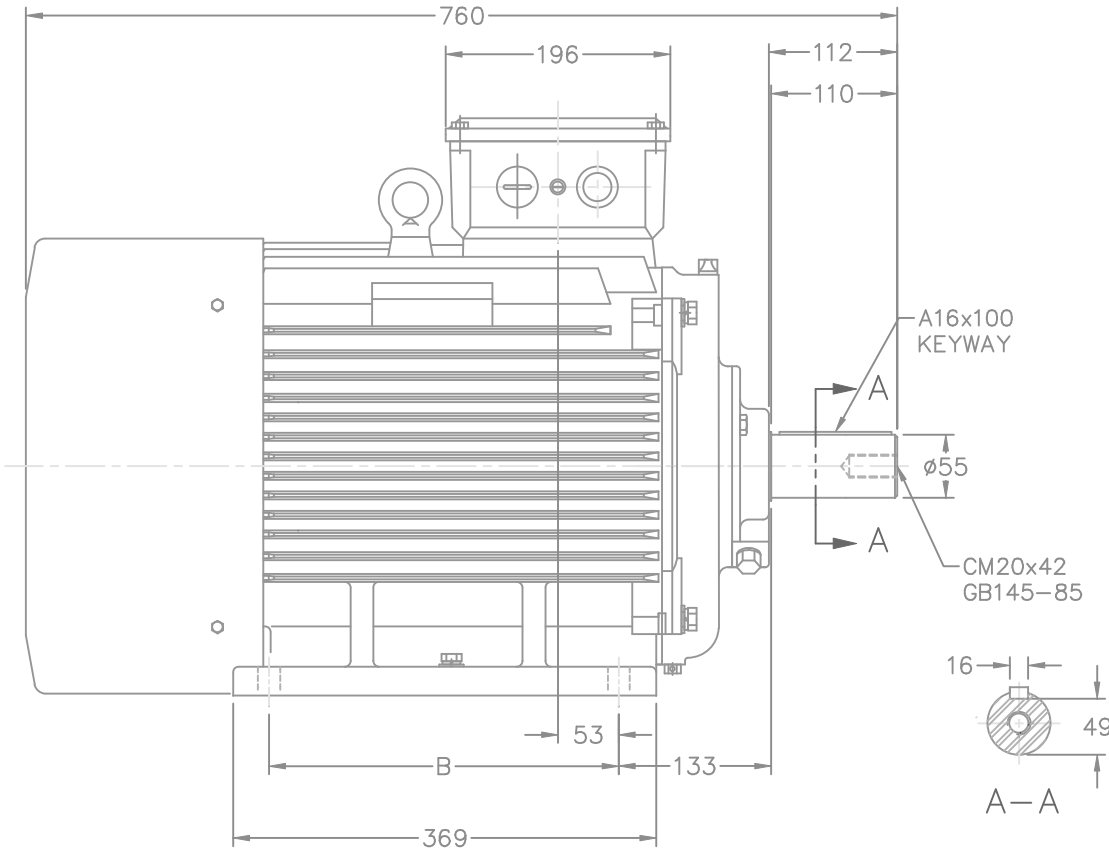


Nameplate Specifications

Phase	3	Output HP	40 & 40 Hp
Output KW	30.0 & 30.0 kW	Voltage	230/460 & 200/400 V
Speed	1785 & 1478 rpm	Service Factor	1.15 & 1.15
Frame	200L	Enclosure	Totally Enclosed Fan Cooled
Thermal Protection	No Protection	Efficiency	94.1 & 94.1 %
Ambient Temperature	40 °C	Frequency	60 & 50 Hz
Current	93/46.5 & 107/53.5 A	Power Factor	85.2
Duty	Continuous	Insulation Class	F
Design Code	B	KVA Code	J
Drive End Bearing Size	NONE	Opp Drive End Bearing Size	NONE
UL	Recognized	CSA	Y
CE	Y	IP Code	55
Number of Speeds	1		

Technical Specifications

Electrical Type	Squirrel Cage Inverter Rated	Starting Method	Part Wdg Start & Wye Start Delta Run Or Inverter
Poles	4	Rotation	Reversible
Resistance Main	.118 Ohms	Mounting	Rigid (B3) Base
Motor Orientation	Horizontal Or Shaft Down	Drive End Bearing	Ball
Opp Drive End Bearing	Ball	Frame Material	Cast Iron
Shaft Type	IEC	Overall Length	29.92 in
Shaft Diameter	2.166 in	Shaft Extension	4.33 in
Assembly/Box Mounting	F3		
Outline Drawing	SS620010	Connection Drawing	A-EE7308AA



ALL DIMENSIONS TO BE REF. DIMENSION.

FRAME	B	
200L	305	

		TOLERANCES UNLESS SPECIFIED			DRAWN CTO 10-14-2004			
		DEC.	METRIC		CHK ML 10-21-2004	APPD SB 10-21-2004		
		.X	±2.5	TITLE OUTLINE - IEC 200 FR. MAT'L FINISH CAD FILE SS620010	SCALE 1=4.25			
		.XX	±.76		REF			
		.XXX	±.127		FMF			
		.XXXX	±.0127		PREV			
NO.	REVISION	BY & DATE	CHK ANG ±7'30"	RFP	SIZE B	DRAWING NO. SS620010	PAGE OF	REV.
THIS DRAWING IN DESIGN AND DETAIL IS OUR PROPERTY AND MUST NOT BE USED EXCEPT IN CONNECTION WITH OUR WORK. ALL RIGHTS OF DESIGN AND INVENTION ARE RESERVED. THIS IS AN ELECTRONICALLY GENERATED DOCUMENT - DO NOT SCALE THIS PRINT.				DIST WA				



LOW VOLTAGE



HIGH VOLTAGE



VIEW OF TERMINAL END

DRAWING REVISION K	REVISION BY AJW	DATE 07-17-2015
ECO ECO-0081632	APPROVED BY T. VUE	DATE 07-17-2015
ECO DESCRIPTION REV'D IEC MARKINGS PER IEC 60034-8		
COPYRIGHT REGAL BELOIT AMERICA, INC. ALL RIGHTS RESERVED. PROPRIETARY AND CONFIDENTIAL INFORMATION - THIS DOCUMENT IS THE PROPERTY OF REGAL BELOIT AMERICA, INC. ("OWNER") AND CONTAINS OWNER'S PROPRIETARY INFORMATION. ANY PERSON, CORPORATION OR OTHER FIRM RECEIVING IT IS DEEMED, BY RECEIVING IT, TO AGREE THAT IT, AND/OR ANY PART OF IT, SHALL NOT BE DISCLOSED TO ANY PERSON, CORPORATION OR OTHER ENTITY, DUPLICATED, AND/OR USED, EXCEPT AS EXPRESSLY APPROVED IN WRITING IN ADVANCE BY OWNER. THIS DOCUMENT SHALL BE RETURNED TO OWNER UPON REQUEST. IT MAY BE SUBJECT TO CERTAIN RESTRICTIONS UNDER APPLICABLE EXPORT CONTROL LAWS AND REGULATIONS.		



DRAWN BY LZ	Regal Beloit America, Inc.	
DATE 01-12-1994		
APPROVED BY GK	DESCRIPTION CONN DIAGRAM-EXTERNAL 3Ø-2/1 DELTA-12 LEADS	
DATE 01-14-1994		
REFERENCE	MATERIAL	PROCESS/FINISH
THIRD ANGLE PROJECTION	SIZE A	DRAWING NUMBER EE7308AA
		SHEET 1 OF 1