

# PRODUCT INFORMATION PACKET



Model No: 199725.00

Catalog No: 199725.00

Obsolete Replaced by B199725.00..125HP..3600RPM.404TS.ODP.460V.3PH.60HZ.CONT.40C.1.15SF.RIGID.....  
GEN PURPOSE.....

Regal and Leeson are trademarks of Regal Rexnord Corporation or one of its affiliated companies.

©2023 Regal Rexnord Corporation, All Rights Reserved. MC017097E





### Nameplate Specifications

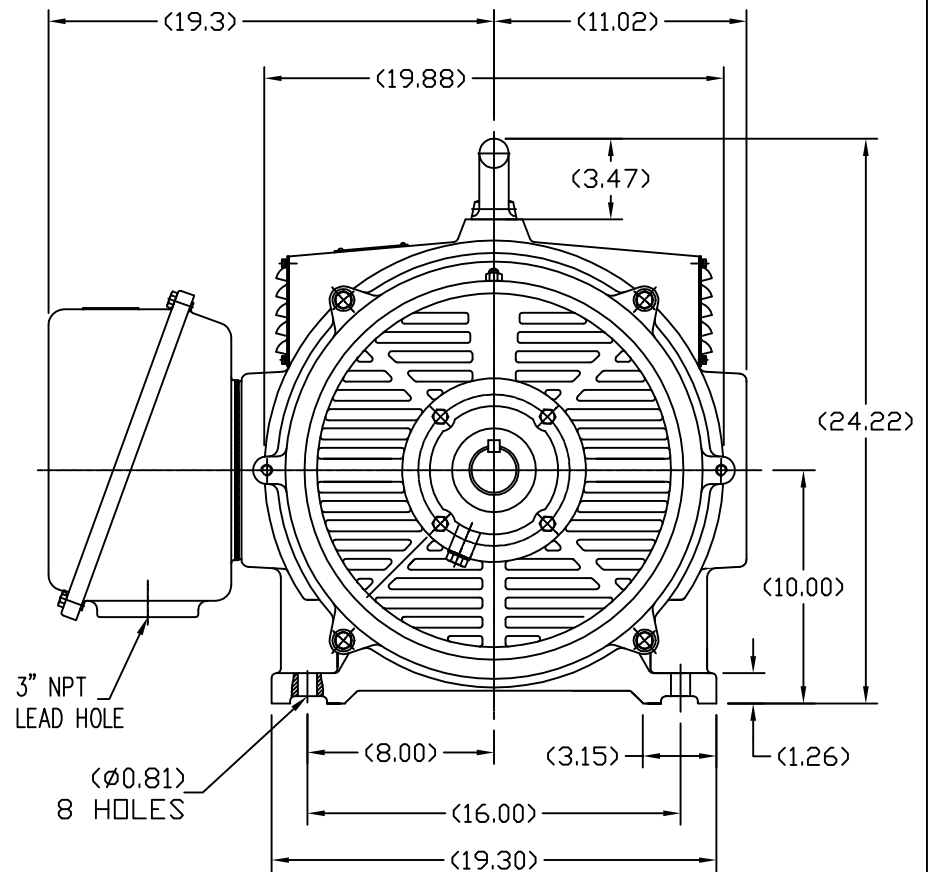
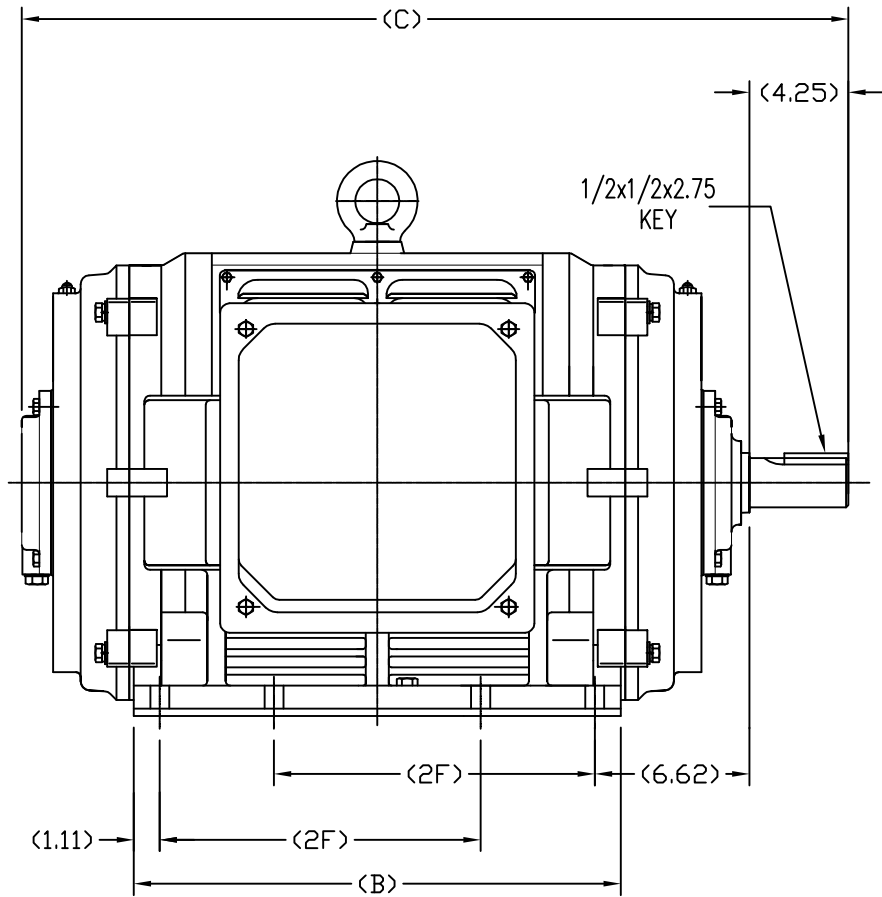
Phase	3	Output HP	125 & 100 Hp
Output KW	93.0 & 75.0 kW	Voltage	460 & 380 V
Speed	3570 & 2975 rpm	Service Factor	1.15 & 1.15
Frame	404TS	Enclosure	Drip Proof
Thermal Protection	No Protection	Efficiency	94.1 & 93.6 %
Ambient Temperature	40 °C	Frequency	60 & 50 Hz
Current	138 & 132 A	Power Factor	90
Duty	Continuous	Insulation Class	F
Design Code	B	KVA Code	G
Drive End Bearing Size	6313	Opp Drive End Bearing Size	6313
UL	Recognized	CSA	Y
CE	Y	IP Code	12
Number of Speeds	1		

### Technical Specifications

Electrical Type	Squirrel Cage Inverter Rated	Starting Method	Part Wdg Start Or Inverter
Poles	2	Rotation	Reversible
Resistance Main	.045 Ohms	Mounting	Rigid Base
Motor Orientation	Horizontal	Drive End Bearing	Ball
Opp Drive End Bearing	Ball	Frame Material	Cast Iron
Shaft Type	TS	Assembly/Box Mounting	F1/F2 CAPABLE
Inverter Load	VARIABLE 10:1		
Outline Drawing	SS620254	Connection Drawing	EE7341C_LE

This is an uncontrolled document once printed or downloaded and is subject to change without notice. Date Created:06/22/2023

SS620254



404TS	33.86	19.29	12.25
405TS	35.44	20.87	13.75
Frame	C	B	2F

TOLERANCES UNLESS SPECIFIED		REGAL-BELOIT CORPORATION		DRAWN CL 03-04-2010	
DEC.	INCHES	CHK	ZYH	03-04-2010	APPD HZJ
X	±.1				
.XX	±.03				
.XXX	±.005				
.XXXX	±.0005				
ANG	±1/2°				
NO.	REVISION	BY & DATE	CHK	RFP	CAD FILE
				DIST	SS620254
THIS DRAWING IN DESIGN AND DETAIL IS OUR PROPERTY AND MUST NOT BE USED EXCEPT IN CONNECTION WITH OUR WORK ALL RIGHTS OF DESIGN AND INVENTION ARE RESERVED THIS IS AN ELECTRONICALLY GENERATED DOCUMENT - DO NOT SCALE THIS PRINT				SIZE	DRAWING NO.
				B	SS620254
				REV.	PREV

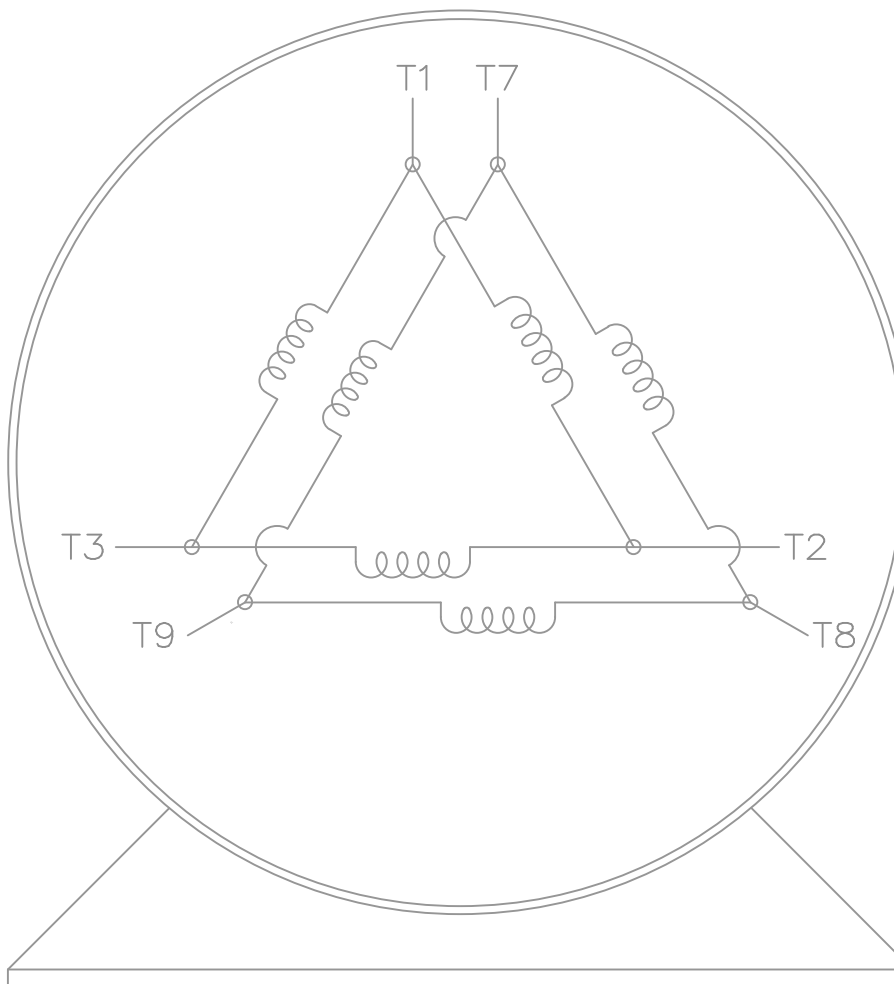
THREE PHASE – PART WINDING START  
DELTA – 6 LEADS

START


CONNECT T1 TO LINE 1  
CONNECT T2 TO LINE 2  
CONNECT T3 TO LINE 3  
T7-T8-T9 OPEN

RUN

CONNECT T1&T7 TO LINE 1  
CONNECT T2&T8 TO LINE 2  
CONNECT T3&T9 TO LINE 3



VIEW OF TERMINAL END

				TOLERANCES UNLESS SPECIFIED		 ELECTRIC MOTORS GEARMOTORS AND DRIVES	DRAWN KL 07-23-2002		
				DEC.	INCHES		CHK DJK 07-23-2002		
				.X	± -		APPD EAB 07-23-2002		
				.XX	± -		SCALE 1=1		
				.XXX	± -		REF		
1	NEW DRAWING	MU42766	KL 07-23-2002	.XXXX	± -	TITLE CONNECTION DIAGRAM 3φ - 6 LEADS	FMF		
NO.	REVISION		BY & DATE	CHK	ANG	FINISH	PREV		
THIS DRAWING IN DESIGN AND DETAIL IS OUR PROPERTY AND MUST NOT BE USED EXCEPT IN CONNECTION WITH OUR WORK ALL RIGHTS OF DESIGN AND INVENTION ARE RESERVED THIS IS AN ELECTRONICALLY GENERATED DOCUMENT - DO NOT SCALE THIS PRINT				RFP	CAD FILE EE7341C-LE		SIZE	DRAWING NO. PAGE OF	REV.
				DIST	WA-LB-LE		A	EE7341C-LE	1



**CERTIFICATION DATA SHEET**

**1051 CHEYENNE AVE.  
GRAFTON, WI 53024  
PH. 262-377-8810**

**CONN. DIAGRAM:** EE7341C\_LE

**CATALOG #:** 199725.00

**OUTLINE:** SS620254

**MOUNTING:** F1/F2 CAPABLE

**WINDING #:** CHT40420001 2

**TYPICAL MOTOR PERFORMANCE DATA**

HP	kW	SYNC. RPM	F.L. RPM	FRAME	ENCLOSURE	KVA CODE	DESIGN
125&100	93.0&75.0	3600	3570&2975	404TS	DP	G	B

PH	Hz	VOLTS	AMPS	START TYPE	DUTY	INSL	S.F.	AMB°C
3	60/50	460&380	138&132	PWS OR INVERTER	CONTINUOUS	F1	1.15/1.15	40

FULL LOAD EFF:	94.1&93.6	3/4 LOAD EFF:	94.1	1/2 LOAD EFF:	93.6	GTD. EFF		ELEC. TYPE	
FULL LOAD PF:	90&90	3/4 LOAD PF:	89	1/2 LOAD PF:	85	93.6		SQ CAGE INV RATED	

F.L. TORQUE	LOCKED ROTOR AMPS	L.R. TORQUE	B,D. TORQUE	F.L. RISE°C
184 LB-FT	900	350 LB-FT 190 %	525 LB-FT 285 %	35

SOUND PRESSURE @ 3 FT.	SOUND POWER	ROTOR WK^2	MAX. WK^2	SAFE STALL TIME	STARTS / HOUR	APPROX. MOTOR WGT
80 dBA	90 dBA	15 LB-FT^2	- LB-FT^2	10 SEC.	2	1000 LBS.

**\*\*\* SUPPLEMENTAL INFORMATION \*\*\***

DE BRACKET TYPE	ODE BRACKET TYPE	MOUNT TYPE	ORIENTATION	SEVERE DUTY	HAZARDOUS LOCATION	DRIP COVER	SCREENS	PAINT
STANDARD	STANDARD	RIGID	HORIZONTAL	FALSE	NONE	FALSE	NONE	BLUE (ENAMEL)

BEARINGS		GREASE	SHAFT TYPE	SPECIAL DE	SPECIAL ODE	SHAFT MATERIAL	FRAME MATERIAL
DE	ODE						
BALL	BALL	POLYREX EM	TS	NONE	NONE	AISI 1045 (C-240)	CAST IRON
6313	6313						

THERMO-PROTECTORS				THERMISTORS	CONTROL	SPACE HEATERS
THERMOSTATS	PROTECTORS	WDG RTDs	BRG RTDs			
NONE	NOT	NONE	NONE	NONE	FALSE	NONE VOLTS

\*  
N  
O  
T  
E  
S

<b>INVERTER TORQUE:</b> VARIABLE 10:1
<b>INV. HP SPEED RANGE:</b> NONE
<b>ENCODER:</b> NONE
NONE NONE
NONE NONE PPR
<b>BRAKE:</b> NONE NONE
NONE P/N NONE
NONE NONE
NONE FT-LB NONE V NONE Hz



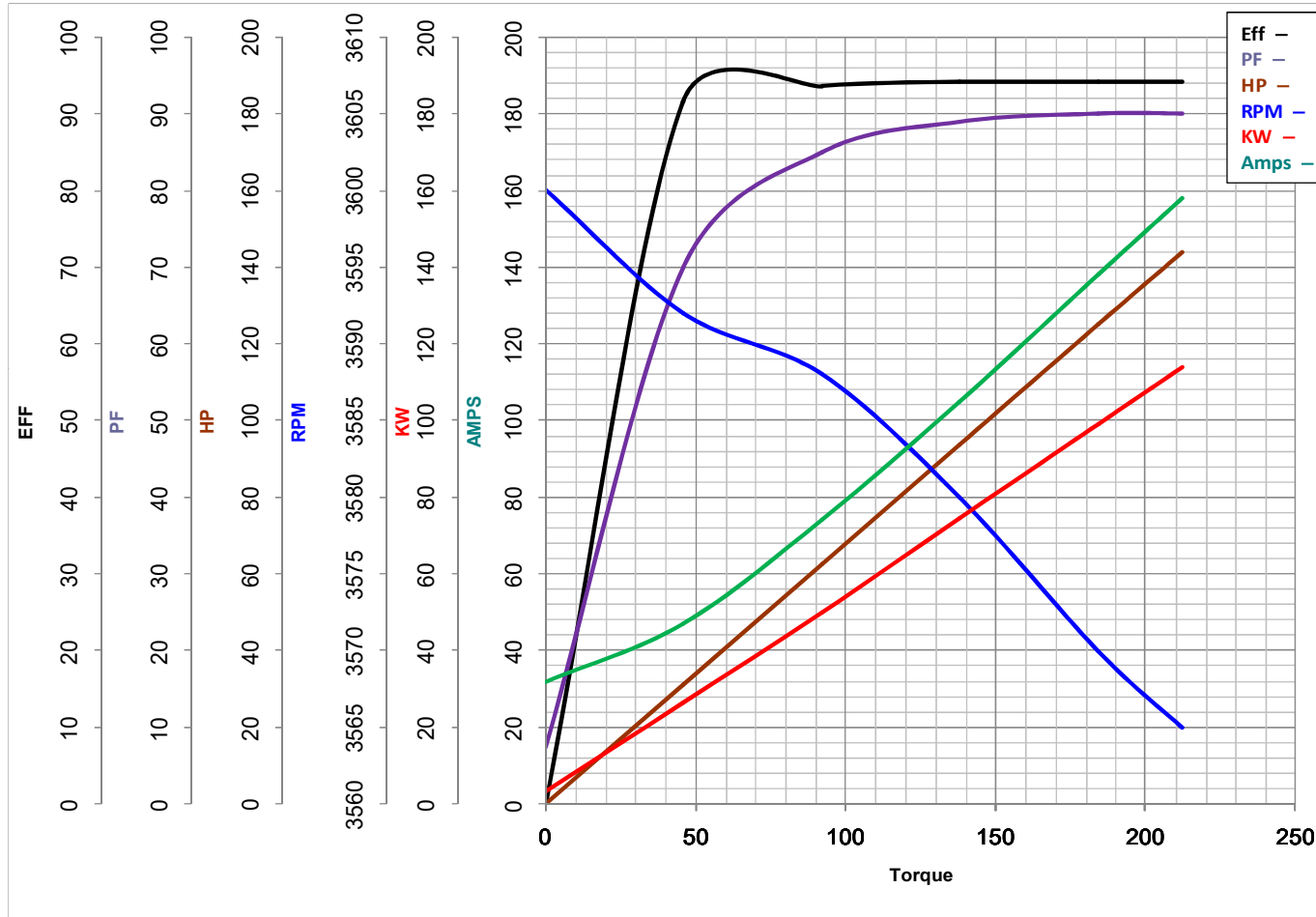
**LEESON ELECTRIC CORPORATION**  
 TYPICAL PERFORMANCE CURVE for AC MOTOR

Model No 199725.00

Curve at 460 Volts      HP 125&100      PHASE 3  
60 HZ  
125 HP      VOLTS 460&380

Catalog No 199725.00

HZ 60&50      RPM 3570&2975



Torque in Lb.Ft

FL TORQUE 184 Lb.Ft  
 BD TORQUE 525.0 Lb.Ft  
 LR TORQUE 350 Lb.Ft

FL AMPS 138  
 PU TORQUE 300.0 Lb.Ft  
 LR AMPS 900

WINDING CHT40420001-2

Date 11/13/2018