

PRODUCT INFORMATION PACKET



Model No: 199015.00
Catalog No: 199015.00
15,3600,TEFC,254T,3/60/230/460

Regal and Leeson are trademarks of Regal Rexnord Corporation or one of its affiliated companies.
©2023 Regal Rexnord Corporation, All Rights Reserved. MC017097E





Nameplate Specifications

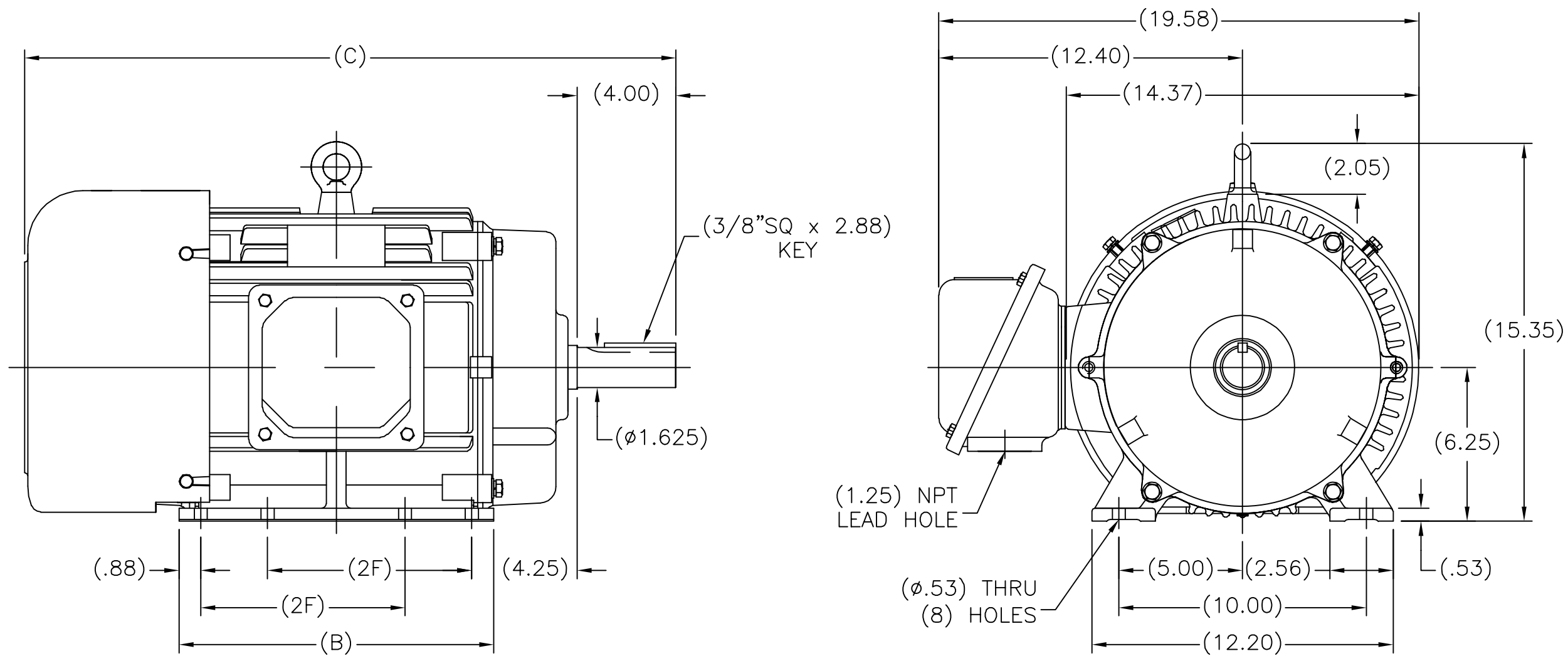
Phase	3	Output HP	15 & 10 Hp
Output KW	11.2 & 7.5 kW	Voltage	230/460 & 190/380 V
Speed	3555 & 2955 rpm	Service Factor	1.15 & 1.15
Frame	254T	Enclosure	Totally Enclosed Fan Cooled
Thermal Protection	No Protection	Efficiency	91 & 91 %
Ambient Temperature	40 °C	Frequency	60 & 50 Hz
Current	34/17 & 28/14.0 A	Power Factor	90
Duty	Continuous	Insulation Class	F
Design Code	B	KVA Code	G
Drive End Bearing Size	6309	Opp Drive End Bearing Size	6209
UL	Recognized	CSA	Y
CE	N	IP Code	43
Number of Speeds	1		

Technical Specifications

Electrical Type	Squirrel Cage Inverter Rated	Starting Method	Line Or Inverter
Poles	2	Rotation	Reversible
Resistance Main	.58 Ohms	Mounting	Rigid Base
Motor Orientation	Horizontal	Drive End Bearing	Ball
Opp Drive End Bearing	Ball	Frame Material	Cast Iron
Shaft Type	T	Assembly/Box Mounting	F1/F2 CAPABLE
Inverter Load	CONSTANT 20:1		
Outline Drawing	SS620244-254T	Connection Drawing	EE7308K-LE

This is an uncontrolled document once printed or downloaded and is subject to change without notice. Date Created:06/22/2023

SS620244



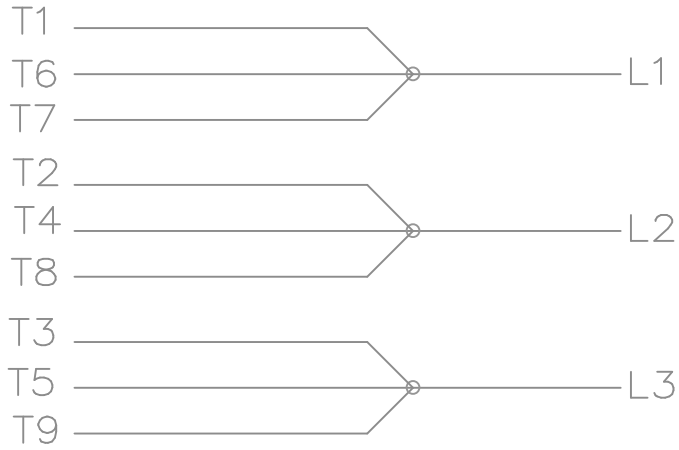
(MAY NOT BE DRAWN TO SCALE)

(DIMENSIONS IN TABLE ARE CONSIDERED REFERENCE)

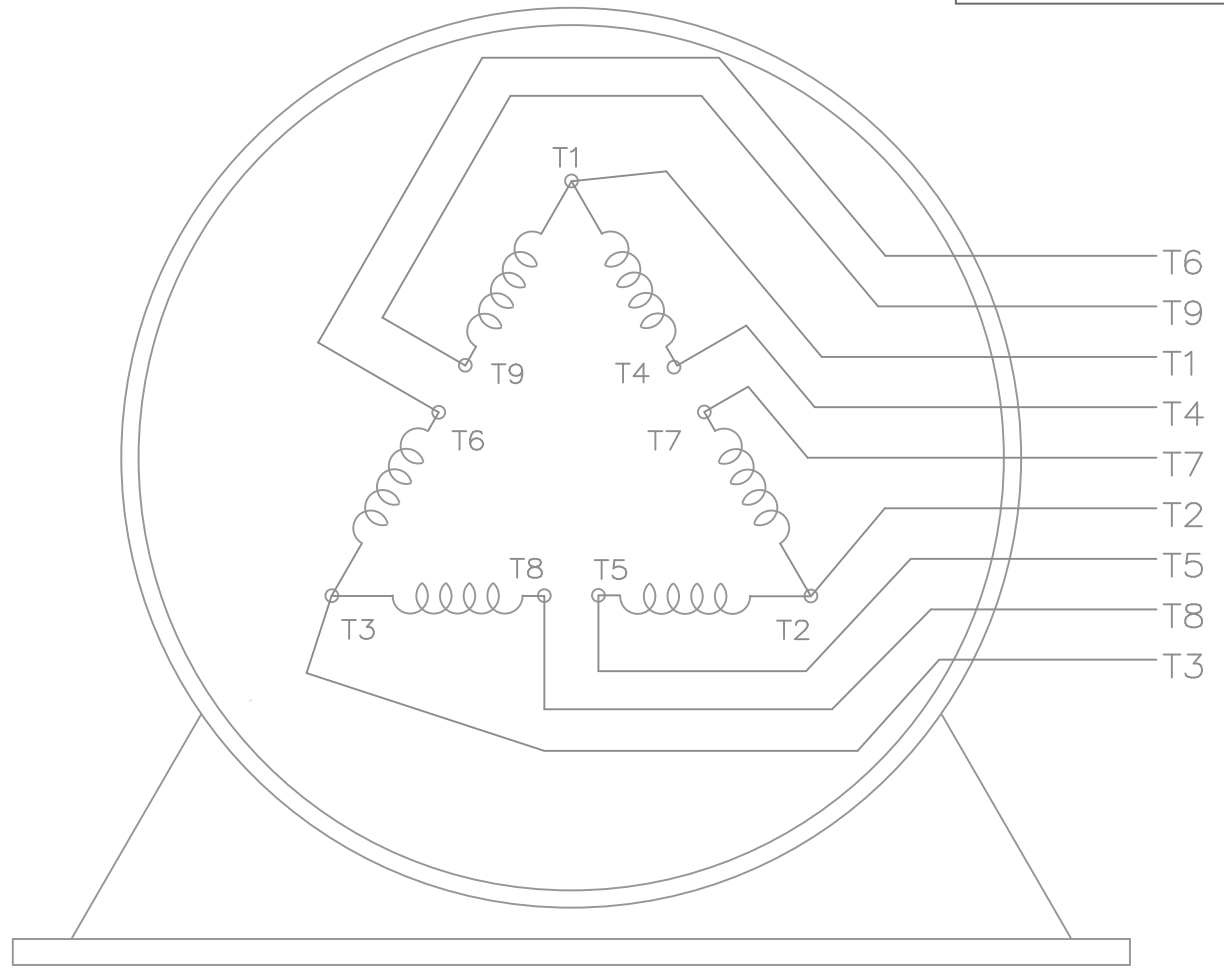
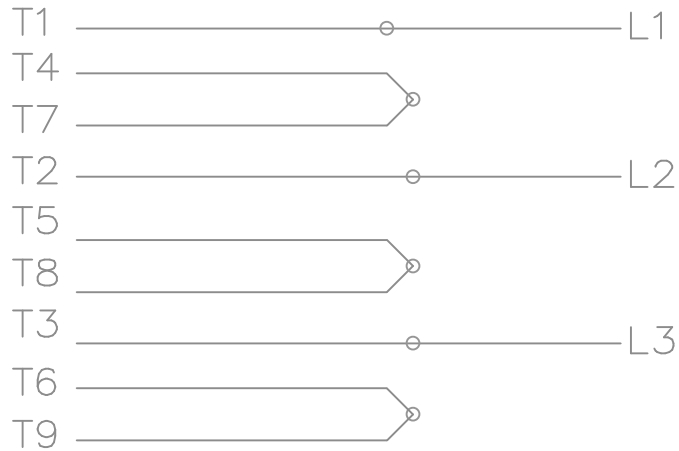
254T	26.60	12.80	8.25
256T	27.80	13.98	10.00
FRAME	C	B	2F

		TOLERANCES UNLESS SPECIFIED		DRAWN MSG 01-12-2010	
		DEC.	INCHES	CHK MJS 01-13-2010	
		.X	±.1	APPD SB 01-13-2010	
		.XX	±.03	SCALE 1=4	
		.XXX	±.005	REF	
D	CHANGED BORDER LOGO TO "REGAL" ECO-0075536	WGJ	04-09-2015	EH	.XXXX ±.0005
NO.	REVISION	BY & DATE	CHK	ANG	±7'30"
		RFP	01-14-2010	CAD FILE	SS620244
		THIS DRAWING IN DESIGN AND DETAIL IS OUR PROPERTY AND MUST NOT BE USED EXCEPT IN CONNECTION WITH OUR WORK ALL RIGHTS OF DESIGN AND INVENTION ARE RESERVED THIS IS AN ELECTRONICALLY GENERATED DOCUMENT - DO NOT SCALE THIS PRINT		DIST	
		REGAL™ Regal Beloit America, Inc.		DRAWING NO. PAGE OF REV.	
		TITLE OUTLINE 254T FR. - TEFC		B SS620244 D	
		MATERIAL FINISH		FMF HUADA PREV	


LOW VOLTAGE



HIGH VOLTAGE



VIEW OF TERMINAL END

				TOLERANCES UNLESS SPECIFIED		 ELECTRIC MOTORS GEARMOTORS AND DRIVES	DRAWN KJC 01-27-2003			
				DEC.	INCHES		CHK ML 01-28-2003			
				.X	±.1		APPD TB 01-28-2003			
				.XX	±.02		SCALE 1.5=1			
				.XXX	±.005		REF			
01	NEW DRAWING CN36099	KJC 01-28-2003	TB	.XXXX	±.0005	MAT'L.	FMF			
NO.	REVISION	BY & DATE	CHK	ANG	±7'30"	FINISH	PREV			
THIS DRAWING IN DESIGN AND DETAIL IS OUR PROPERTY AND MUST NOT BE USED EXCEPT IN CONNECTION WITH OUR WORK ALL RIGHTS OF DESIGN AND INVENTION ARE RESERVED THIS IS AN ELECTRONICALLY GENERATED DOCUMENT - DO NOT SCALE THIS PRINT				RFP	CAD FILE EE7308K-LE		SIZE A	DRAWING NO. EE7308K-LE	PAGE OF	REV. 01
				DIST	WP					