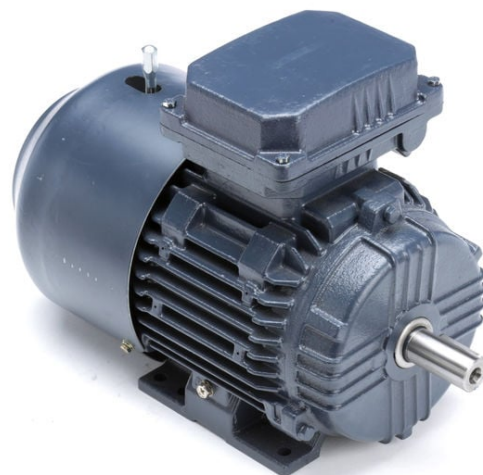


# PRODUCT INFORMATION PACKET



Model No: 194227.00  
Catalog No: 194227.00  
5.50 HP Definite Purpose AC, 3 phase, 1800 RPM, 230/460 V, 112M Frame, TEFC



Regal and Leeson are trademarks of Regal Rexnord Corporation or one of its affiliated companies.  
©2022 Regal Rexnord Corporation, All Rights Reserved. MC017097E



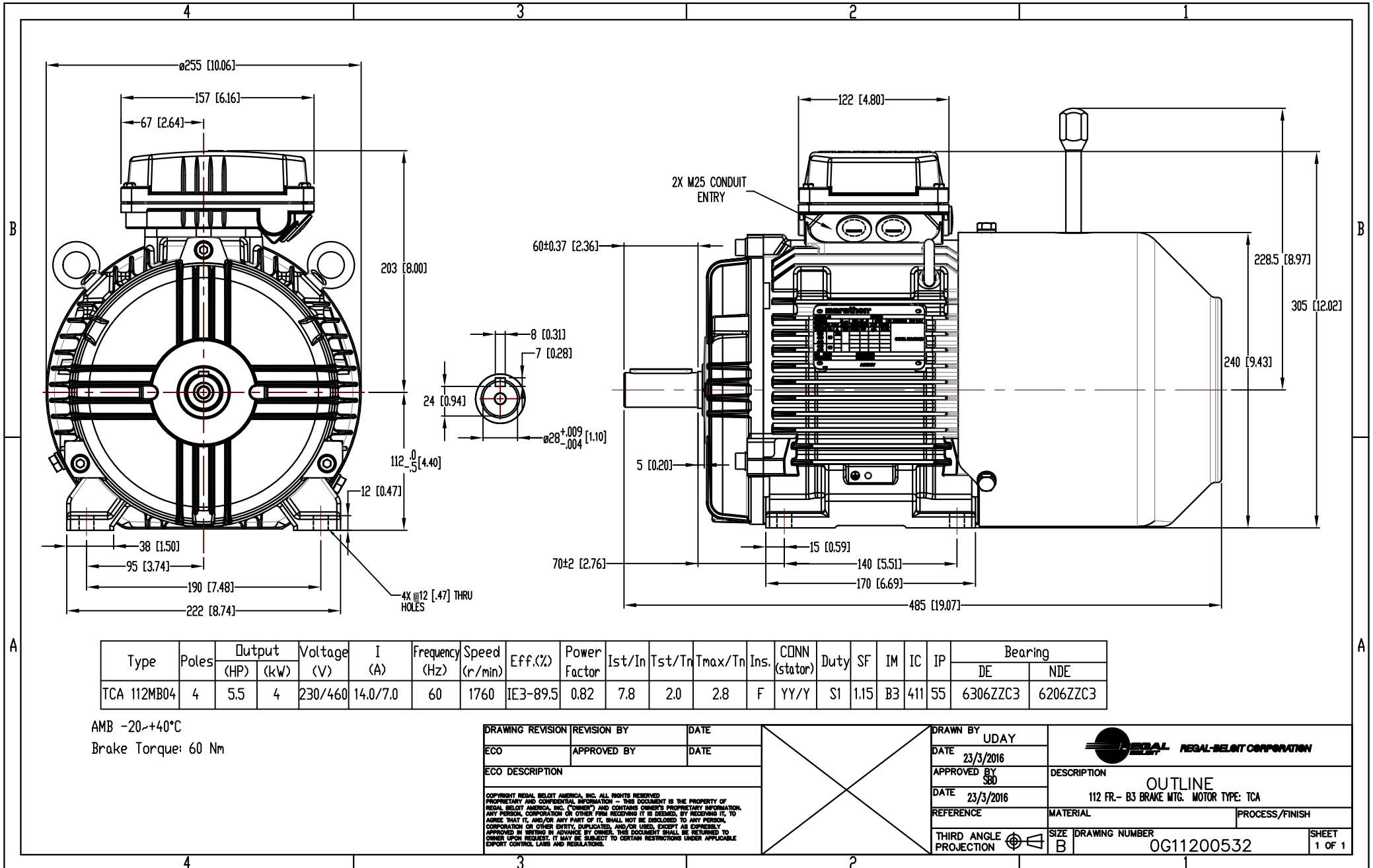


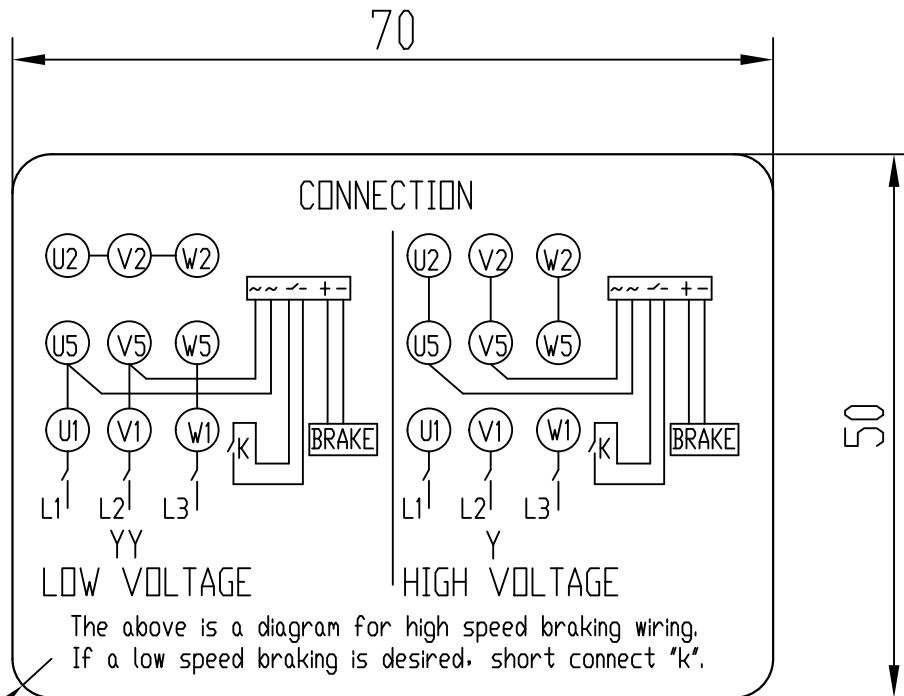
### Nameplate Specifications

|                        |                       |                            |                                    |
|------------------------|-----------------------|----------------------------|------------------------------------|
| Output HP              | <b>5.50 Hp</b>        | Output KW                  | <b>4.1 kW</b>                      |
| Frequency              | <b>60 Hz</b>          | Voltage                    | <b>230/460 V</b>                   |
| Current                | <b>14.0/7.0 A</b>     | Speed                      | <b>1760 rpm</b>                    |
| Service Factor         | <b>1.15</b>           | Phase                      | <b>3</b>                           |
| Efficiency             | <b>89.5 %</b>         | Power Factor               | <b>82</b>                          |
| Duty                   | <b>Continuous</b>     | Insulation Class           | <b>F</b>                           |
| Design Code            | <b>NO DESIGN CODE</b> | KVA Code                   | <b>J</b>                           |
| Frame                  | <b>112M</b>           | Enclosure                  | <b>Totally Enclosed Fan Cooled</b> |
| Thermal Protection     | <b>No Protection</b>  | Ambient Temperature        | <b>40 °C</b>                       |
| Drive End Bearing Size | <b>6306</b>           | Opp Drive End Bearing Size | <b>6206</b>                        |
| UL                     | <b>Recognized</b>     | CSA                        | <b>Y</b>                           |
| CE                     | <b>Y</b>              | IP Code                    | <b>55</b>                          |
| Number of Speeds       | <b>1</b>              |                            |                                    |

### Technical Specifications

|                       |                                    |                       |                        |
|-----------------------|------------------------------------|-----------------------|------------------------|
| Electrical Type       | <b>Squirrel Cage Induction Run</b> | Starting Method       | <b>Across The Line</b> |
| Poles                 | <b>4</b>                           | Rotation              | <b>Reversible</b>      |
| Resistance Main       | <b>0 Ohms</b>                      | Mounting              | <b>B3</b>              |
| Motor Orientation     | <b>Horizontal</b>                  | Drive End Bearing     | <b>Ball</b>            |
| Opp Drive End Bearing | <b>Ball</b>                        | Frame Material        | <b>Cast Iron</b>       |
| Shaft Type            | <b>IEC</b>                         | Overall Length        | <b>19.09 in</b>        |
| Frame Length          | <b>6.85 in</b>                     | Shaft Diameter        | <b>1.111 in</b>        |
| Shaft Extension       | <b>2.36 in</b>                     | Assembly/Box Mounting | <b>F3</b>              |
| Outline Drawing       | <b>0G11200532</b>                  | Connection Drawing    | <b>8442000575</b>      |





- NOTES:
1. Characters, marks and lines are black;  
CONNECTION, LOW VOLTAGE, HIGH VOLTAGE,  
YY, Y size 2.5, other letters size 1.8

R3

|   |             |      |                        |             |              |                                |                                |            |
|---|-------------|------|------------------------|-------------|--------------|--------------------------------|--------------------------------|------------|
| DRAWING REVISION  | REVISION BY | DATE |                        | DRAWN BY    | Wu Shunrui   | Regal Beloit America, Inc.     |                                |            |
| ECD   | APPROVED BY | DATE |                        | DATE        | 13/06/2016   |                                |                                |            |
| ECD DESCRIPTION   |             |      |                        | APPROVED BY | Suresh Datal | DESCRIPTION                    | Connection diagram<br>(LEESON) |            |
| <small>COPYRIGHT REGAL BELOIT AMERICA, INC. ALL RIGHTS RESERVED.<br/>                 PROPRIETARY AND CONFIDENTIAL INFORMATION - THIS DOCUMENT IS THE PROPERTY OF<br/>                 REGAL BELOIT AMERICA, INC. (OWNER) AND CONTAINS OWNER'S PROPRIETARY<br/>                 INFORMATION. ANY PERSON, CORPORATION OR OTHER FIRM RECEIVING IT IS DEEMED,<br/>                 BY RECEIVING IT, TO AGREE THAT IT, AND/OR ANY PART OF IT, SHALL NOT BE DISCLOSED<br/>                 TO ANY PERSON, CORPORATION OR OTHER ENTITY, DUPLICATED, AND/OR USED, EXCEPT<br/>                 AS EXPRESSLY APPROVED IN WRITING IN ADVANCE BY OWNER. THIS DOCUMENT SHALL<br/>                 BE RETURNED TO OWNER UPON REQUEST. IT MAY BE SUBJECT TO CERTAIN<br/>                 RESTRICTIONS UNDER APPLICABLE EXPORT CONTROL LAWS AND REGULATIONS.</small> |             |      | DATE                   | 13/06/2016  | MATERIAL     | Coated paper(Adhesive sticker) | PROCESS/FINISH                 |            |
|   |             |      | THIRD ANGLE PROJECTION |             | SIZE         | A                              | DRAWING NUMBER                 | 8442000575 |



**1051 CHEYENNE AVE.  
GRAFTON, WI 53024  
PH. 262-377-8810**

**CERTIFICATION DATA SHEET**

**CUSTOMER:**

**CUSTOMER PO#:**

**ORDER #:**

**CATALOG #:** 194227.00

**CONN. DIAGRAM:** 8442000575

**CUSTOMER PART #:**

**OUTLINE:** 0G11200532

**MOUNTING:** F3

**WINDING #:** IE3N60F1124001 R1 1 A

**TYPICAL MOTOR PERFORMANCE DATA**

| HP    | KW   | SYNC. RPM | F.L. RPM | FRAME | ENCLOSURE | KVA CODE | DESIGN         |
|-------|------|-----------|----------|-------|-----------|----------|----------------|
| 5 1/2 | 4.10 | 1800      | 1760     | 112M  | TEFC      | J        | NO DESIGN CODE |

| PH | Hz | VOLTS   | AMPS | START TYPE      | DUTY       | INSL | S.F. | AMB°C |
|----|----|---------|------|-----------------|------------|------|------|-------|
| 3  | 60 | 230/460 | 14/7 | ACROSS THE LINE | CONTINUOUS | F7   | 1.15 | 40    |

| FULL LOAD EFF: | 89.5 | 3/4 LOAD EFF: | 90.9 | 1/2 LOAD EFF: | 90   | GTD. EFF |  | ELEC. TYPE      |  |
|----------------|------|---------------|------|---------------|------|----------|--|-----------------|--|
| FULL LOAD PF:  | 82   | 3/4 LOAD PF:  | 76   | 1/2 LOAD PF:  | 63.9 | 0        |  | SQ CAGE IND RUN |  |

| F.L. TORQUE | LOCKED ROTOR AMPS | L.R. TORQUE    | B.D. TORQUE    | F.L. RISE°C |
|-------------|-------------------|----------------|----------------|-------------|
| 16.3 LB-FT  | 98 / 49           | 38 LB-FT 240 % | 48 LB-FT 300 % | 0           |

| SOUND PRESSURE @ 3 FT. | SOUND POWER | ROTOR WK^2 | MAX. WK^2 | SAFE STALL TIME | STARTS / HOUR | APPROX. MOTOR WGT |
|------------------------|-------------|------------|-----------|-----------------|---------------|-------------------|
| 0 dBA                  | 10 dBA      | 0 LB-FT^2  | 0 LB-FT^2 | 0 SEC.          | 0             | 136 LBS.          |

**\*\*\* SUPPLEMENTAL INFORMATION \*\*\***

| DE BRACKET TYPE | ODE BRACKET TYPE | MOUNT TYPE | ORIENTATION | SEVERE DUTY | HAZARDOUS LOCATION | DRIP COVER | SCREENS | PAINT         |
|-----------------|------------------|------------|-------------|-------------|--------------------|------------|---------|---------------|
| STANDARD        | BRAKE            | B3         | HORIZONTAL  | FALSE       | NONE               | FALSE      | NONE    | GRAY (ENAMEL) |

| BEARINGS |      | GREASE     | SHAFT TYPE   | SPECIAL DE | SPECIAL ODE | SHAFT MATERIAL          | FRAME MATERIAL |
|----------|------|------------|--------------|------------|-------------|-------------------------|----------------|
| DE       | ODE  |            |              |            |             |                         |                |
| BALL     | BALL | POLYREX EM | STANDARD IEC | NONE       | NONE        | 1045 HOT ROLLED (C-204) | CAST IRON      |
| 6306     | 6206 |            |              |            |             |                         |                |

| THERMO-PROTECTORS |            |          |          | THERMISTORS | CONTROL | SPACE HEATERS |
|-------------------|------------|----------|----------|-------------|---------|---------------|
| THERMOSTATS       | PROTECTORS | WDG RTDs | BRG RTDs |             |         |               |
| NONE              | NOT        | NONE     | NONE     | NONE        | FALSE   | NONE VOLTS    |

\*  
N  
O  
T  
E  
S  
\*

|   |
|---|
| <b>INVERTER TORQUE:</b> NONE                |
| <b>INV. HP SPEED RANGE:</b> NONE            |
| <b>ENCODER:</b> NONE                        |
| NONE NONE                                   |
| NONE NONE PPR                               |
| <b>BRAKE:</b> REGAL SUPPLIED AND MOUNT NONE |
| MAYR P/N NONE                               |
| ROBA-STOP-M IP55                            |
| 60 NM FT-LB 207 V DC Hz                     |

**PREPARED BY:** Sheryl L Kuehmichel  
**DATE:** 03/29/2022 10:49:20 AM  
FORM 3531 REV.3 02/07/99  
\*\* Subject to change without notice.

**Data Sheet**

Date: 3/29/2022  
 Customer: \_\_\_\_\_  
 Attention: \_\_\_\_\_  
 Submitted By: \_\_\_\_\_



Model No.: 194227.00  
 Winding: IE3N60F1124001

**Submittal**

Data @ 460 V

**Motor Load Data**

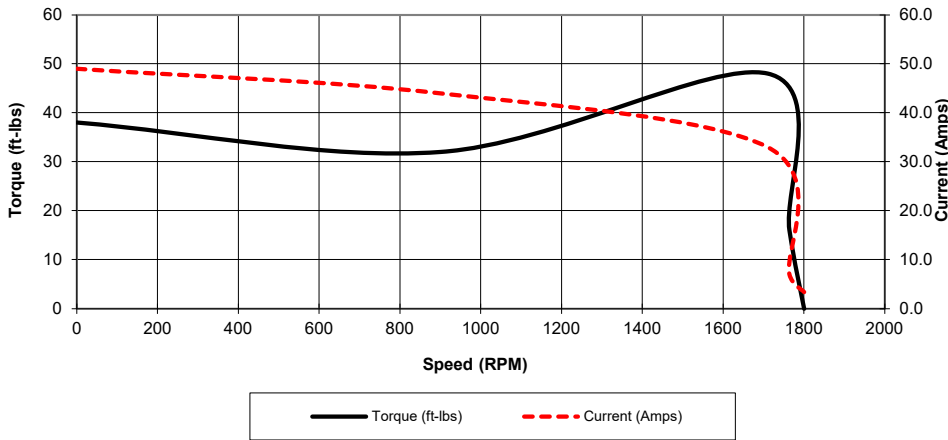
| Load           | 0%  | 25%  | 50%  | 75%  | 100% | 115% |  |
|----------------|-----|------|------|------|------|------|--|
| Current (Amps) | 3.4 | 3.7  | 4.5  | 5.6  | 6.9  | 7.8  |  |
| Efficiency (%) | 0.0 | 84.9 | 90.0 | 90.9 | 90.5 | 90.0 |  |
| P.F. (%)       | 6.2 | 41.1 | 63.9 | 76.0 | 82.2 | 84.2 |  |

**Motor Speed Data**

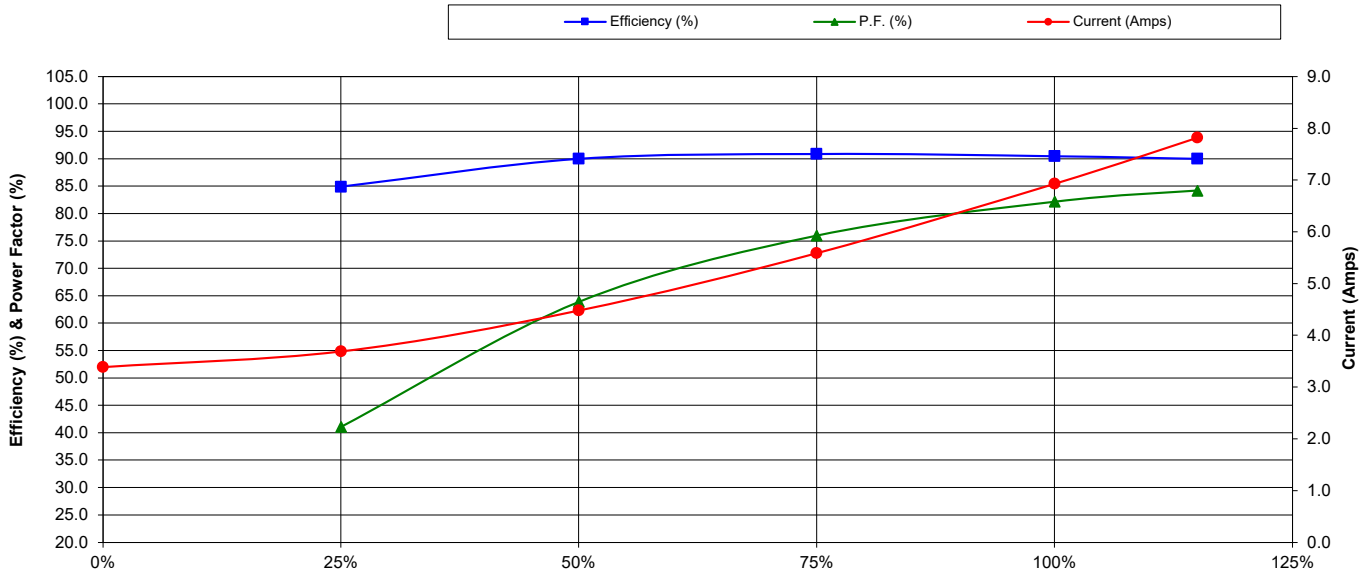
|                 | Locked Rotor | Pull-Up | Breakdown | Rated Load | Idle |
|-----------------|--------------|---------|-----------|------------|------|
| Speed (RPM)     | 0            | 900     | 1710      | 1764       | 1800 |
| Current (Amps)  | 49.0         | 44.0    | 33.0      | 7.0        | 3.4  |
| Torque (ft-lbs) | 38           | 32      | 48        | 16         | 0    |

| Information Block           |            |                    |
|-----------------------------|------------|--------------------|
| HP                          | 5.5        |                    |
| Sync. RPM                   | 1800       |                    |
| Frame                       | 112M       |                    |
| Enclosure                   | TEFC       |                    |
| Motor Type                  | TF         |                    |
| Voltage                     | 230/460    | V                  |
| Frequency                   | 60         | Hz                 |
| Design                      | NA         |                    |
| LR Code letter              | J          |                    |
| Service Factor              | 1.15       |                    |
| Temp Rise @ FL              | 0          | ° C                |
| Ambient                     | 40         | ° C                |
| Rotor/Shaft wk <sup>2</sup> | 0          | Lb-Ft <sup>2</sup> |
| Insulation Class            | F          |                    |
| VFD Rating                  | NA         |                    |
| Sound Pressure @ 1M         | -          | dB(A)              |
| Outline Dwg                 | 0G11200532 |                    |
| Conn. Diag                  | 8442000575 |                    |

**Motor Speed Data**



**Motor Load Data**



## EC Declaration of Conformity

The undersigned representing  
the manufacturer:

Regal Beloit America  
100 East Randolph St.  
Wausau, WI 54401

and the authorized representative  
established within the Community:

Marathon Electric UK  
6F Thistleton Road Ind. Estate  
Market Overton  
Oakham, Rutland LE15 7PP UK

are committed to providing customers with products that comply with applicable regulations and international protocols to which they are subject, including the requirements of the European Parliament Directive on the Harmonization of the laws relating to electrical equipment designed for use within certain voltage limits (2014/35/EU).

Regal Beloit America declares that the following product(s), to which this declaration relates, are in conformity with the relevant sections of the EC standards listed below.

This statement supersedes any statements previously issued pertaining to the product(s) listed below and is subject to change without notice.

Model No : 194227.00

(Model No. may contain prefix and/or suffix characters)

Catalog No : 194227.00

Rework No : N/A

Directives :

Low Voltage Directive 2014/35/EU

Harmonized Standards Used :

EN 60034-1: 2010 (IEC 60034-1: 2010)

EN 60034-5: 2001/A1:2007 (IEC 60034-5: 2000/A1:2006)

Authorized Representative:



Michael A. Logsdon  
Vice President, Technology

Authorized Representative in the Community:



Julian Clark  
Marketing Engineer

Created on 09/01/2022

**CE 22**