

PRODUCT INFORMATION PACKET



Model No: 194013.00

Catalog No: 194013.00

.25HP..1800RPM.284TC.TEFC.230/460V.3PH.60HZ.CONT.40C.1.15S.F..RIGID C FACE.C284T17WK2A.....STAINLE
SS WASHDOWN.NOT.....



Regal and Leeson are trademarks of Regal Rexnord Corporation or one of its affiliated companies.

©2023 Regal Rexnord Corporation, All Rights Reserved. MC017097E





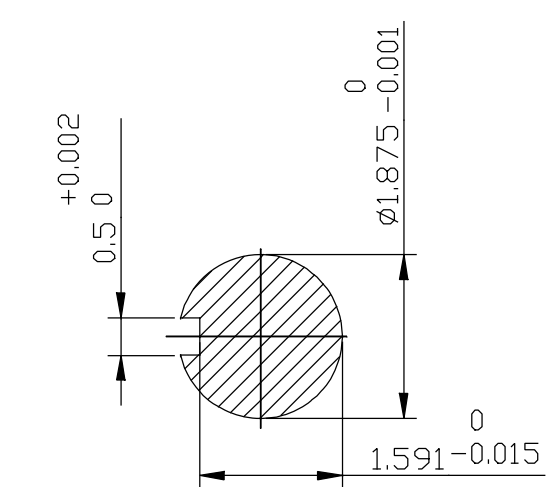
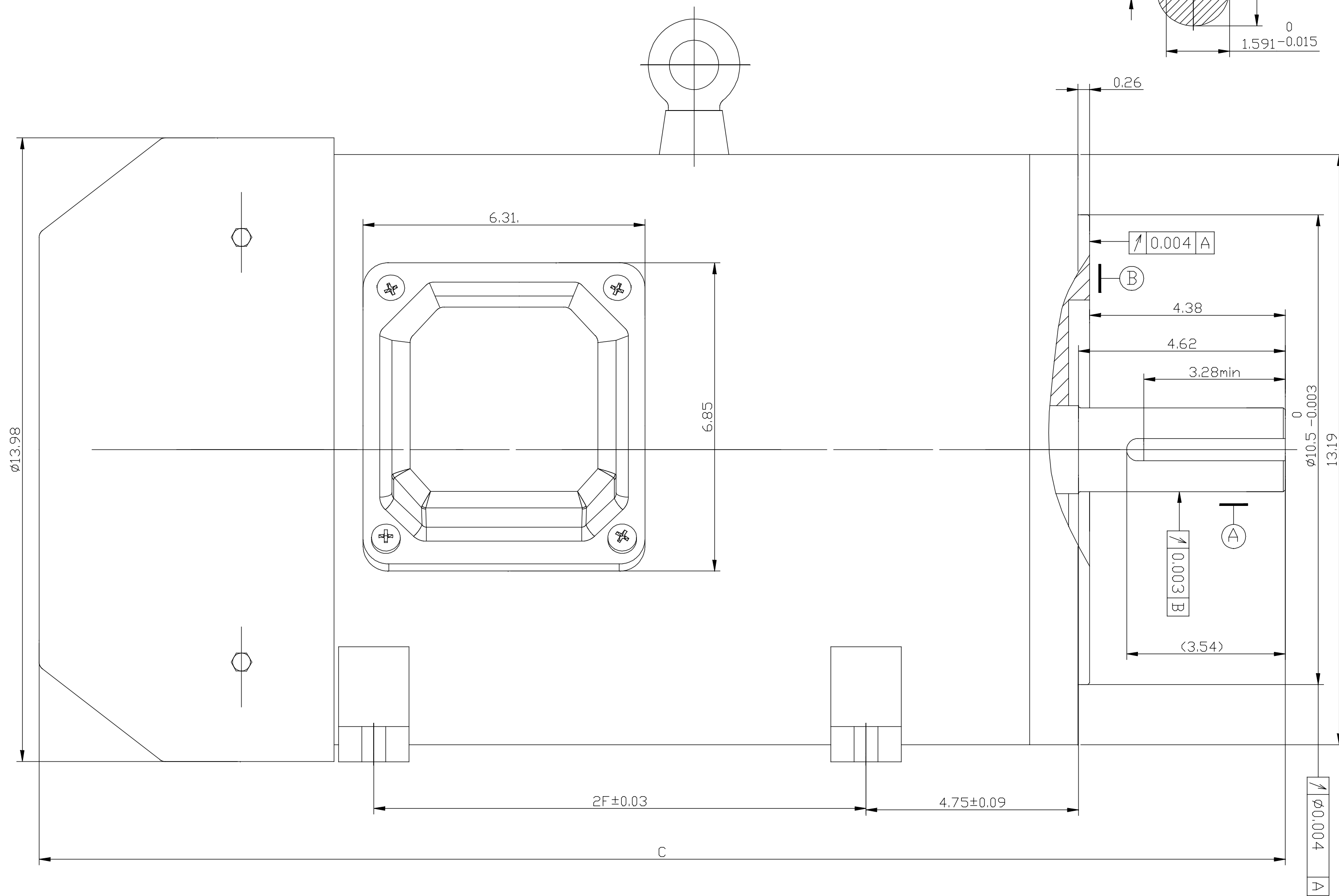
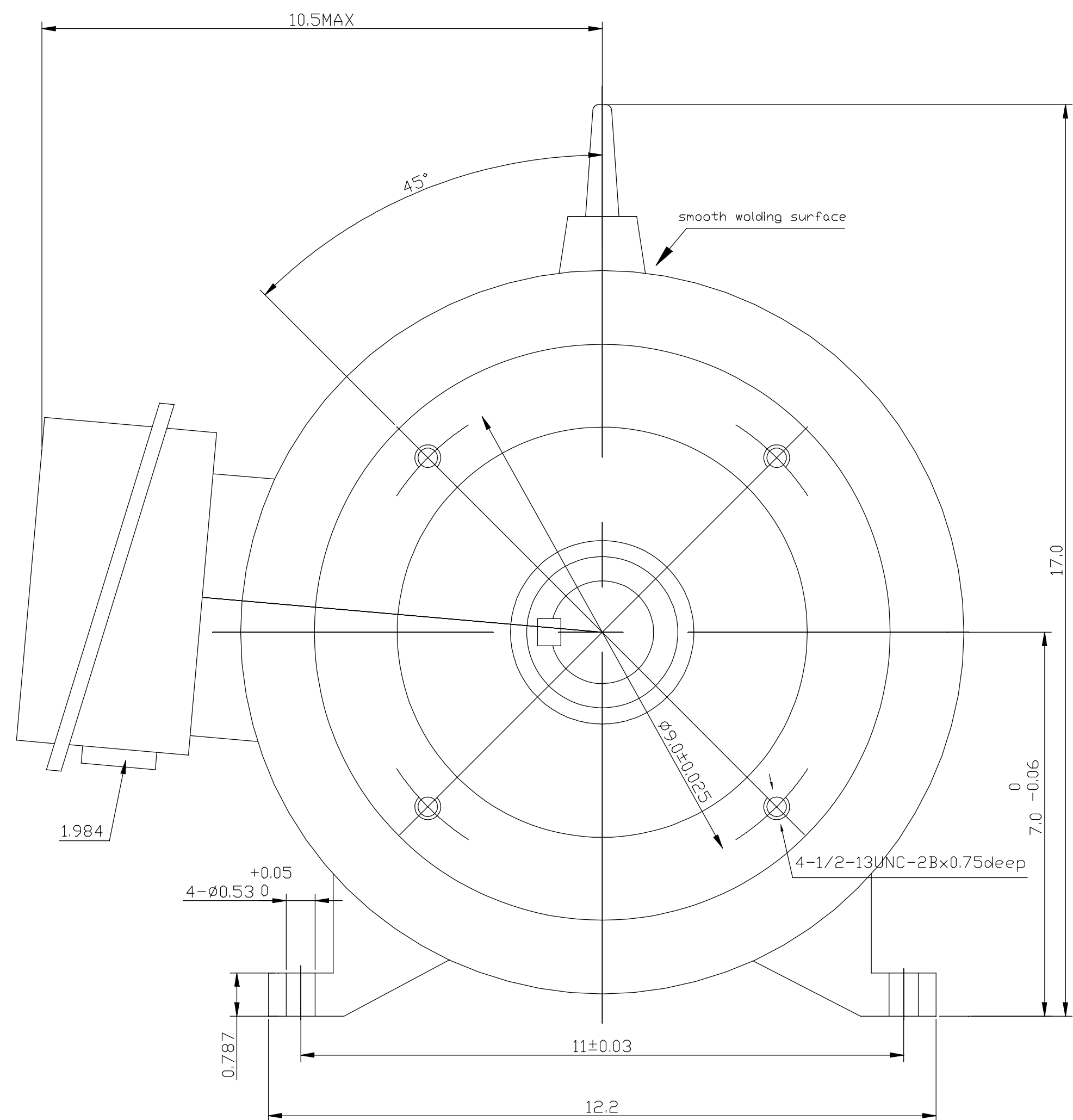
Nameplate Specifications

Phase	3	Output HP	25 & 20 Hp
Output KW	18.7 & 14.9 kW	Voltage	208-230/460 & 190/380 V
Speed	1770 & 1470 rpm	Service Factor	1.15 & 1.15
Frame	284TC	Enclosure	Totally Enclosed Fan Cooled
Thermal Protection	No Protection	Efficiency	93.6 & 92.4 %
Ambient Temperature	40 °C	Frequency	60 & 50 Hz
Current	65-57.5/28.8 & 57/28.5 A	Power Factor	89
Duty	Continuous	Insulation Class	F
Design Code	B	KVA Code	G
Drive End Bearing Size	6310	Opp Drive End Bearing Size	6212
UL	Recognized	CSA	Y
CE	Y	IP Code	55
Number of Speeds	1		

Technical Specifications

Electrical Type	Squirrel Cage Inverter Rated	Starting Method	Line Or Inverter
Poles	4	Rotation	Reversible
Mounting	Rigid Base	Motor Orientation	Horizontal
Drive End Bearing	Ball	Opp Drive End Bearing	Ball
Frame Material	Stainless Steel	Shaft Type	T
Overall Length	26.97 in	Shaft Diameter	1.875 in
Shaft Extension	4.64 in	Assembly/Box Mounting	F1/F2 CAPABLE
Inverter Load	CONSTANT 2:1		
Outline Drawing	SS620848	Connection Drawing	005010.01

SS620848



LEESON PART NO.	FRAME	HP	VOLTS	Hz	RPM	MOUNTING	S.F	DUTY	ENCL.	PH	2F	C
194012.00	284TC-2	25	230/460	60	3600	RIGID+C FLANGE	1.15	CONT.	TEFC	3	9.5	26.97MAX
194013.00	284TC-4	25	230/460	60	1800	RIGID+C FLANGE	1.15	CONT.	TEFC	3	9.5	26.97MAX
194014.00	286TC-2	30	230/460	60	3600	RIGID+C FLANGE	1.15	CONT.	TEFC	3	11.0	27.95MAX
194015.00	286TC-4	30	230/460	60	1800	RIGID+C FLANGE	1.15	CONT.	TEFC	3	11.0	27.95MAX

NOTE:
1. TO REFERENCE DW DRAWING OGW.302.709

NO.	REVISION	BY & DATE	CHK	ANG	TOLERANCES UNLESS SPECIFIED		TITLE	DRAWN
					DEC.	METRIC		
B	NOTE ADDED	NK 9/25/18	ST	.XXX	±.127	REGAL REGAL - BELOIT CORPORATION	OUTLINE SST 280 FRAME	CHK
A	RELEASED FOR PRODUCTION ECO-0126037	WGJ 6-27-17	EMH	.XXXX	±.0127			APPD
						MAT'L.	SCALE	REF
								FINISH
						CAD FILE SS620848	SIZE DRAWING NO.	PREV
								RFP
						DIST	B	SS620848
								B

THIS DRAWING IN DESIGN AND DETAIL IS OUR PROPERTY AND MUST NOT BE USED EXCEPT IN CONNECTION WITH OUR WORK ALL RIGHTS OF DESIGN AND INVENTION ARE RESERVED THIS IS AN ELECTRONICALLY GENERATED DOCUMENT - DO NOT SCALE THIS PRINT

005010-01

VIEW FROM OUTSIDE OF MOTOR AT SWITCH END.



VOLTAGE	L1	L2	L3	JOIN & INSULATE
HIGH	T1	T2	T3	(T4,T7) (T5,T8) (T6,T9)
LOW	T1,T7	T2,T8	T3,T9	T4,T5,T6

				TOLERANCES UNLESS SPECIFIED		REGAL ™ Regal Beloit America, Inc.		DRAWN RDW 04/12/02			
				DEC.	INCHES			CHK			
				.X	±.1			APPD			
				.XX	±.01			SCALE 1=1			
				.XXX	±.005	TITLE		REF FIG.2-51			
A	UPDATED TO REGAL LOGO	SAJ 06/26/15	AJY	.XXXX	±.0005	MAT'L.		FMF			
NO.	REVISION	BY & DATE	CHK	ANG	±1/2"	FINISH		PREV			
THIS DRAWING IN DESIGN AND DETAIL IS OUR PROPERTY AND MUST NOT BE USED EXCEPT IN CONNECTION WITH OUR WORK ALL RIGHTS OF DESIGN AND INVENTION ARE RESERVED THIS IS AN ELECTRONICALLY GENERATED DOCUMENT - DO NOT SCALE THIS PRINT				RFP	04/12/02	CAD FILE		00501001	SIZE	DRAWING NO.	REV.
				DIST	BRF-NLV			A	005010-01	A	