

# PRODUCT INFORMATION PACKET



Model No: 194011.00

Catalog No: 194011.00

SST Duck™ General Purpose Motor, 20 & 15 HP, 3 Ph, 60 & 50 Hz, 208-230/460 & 190/380 V,  
1800 & 1500 RPM, 256TC Frame, TEFC



Regal and Leeson are trademarks of Regal Rexnord Corporation or one of its affiliated companies.

©2023 Regal Rexnord Corporation, All Rights Reserved. MC017097E





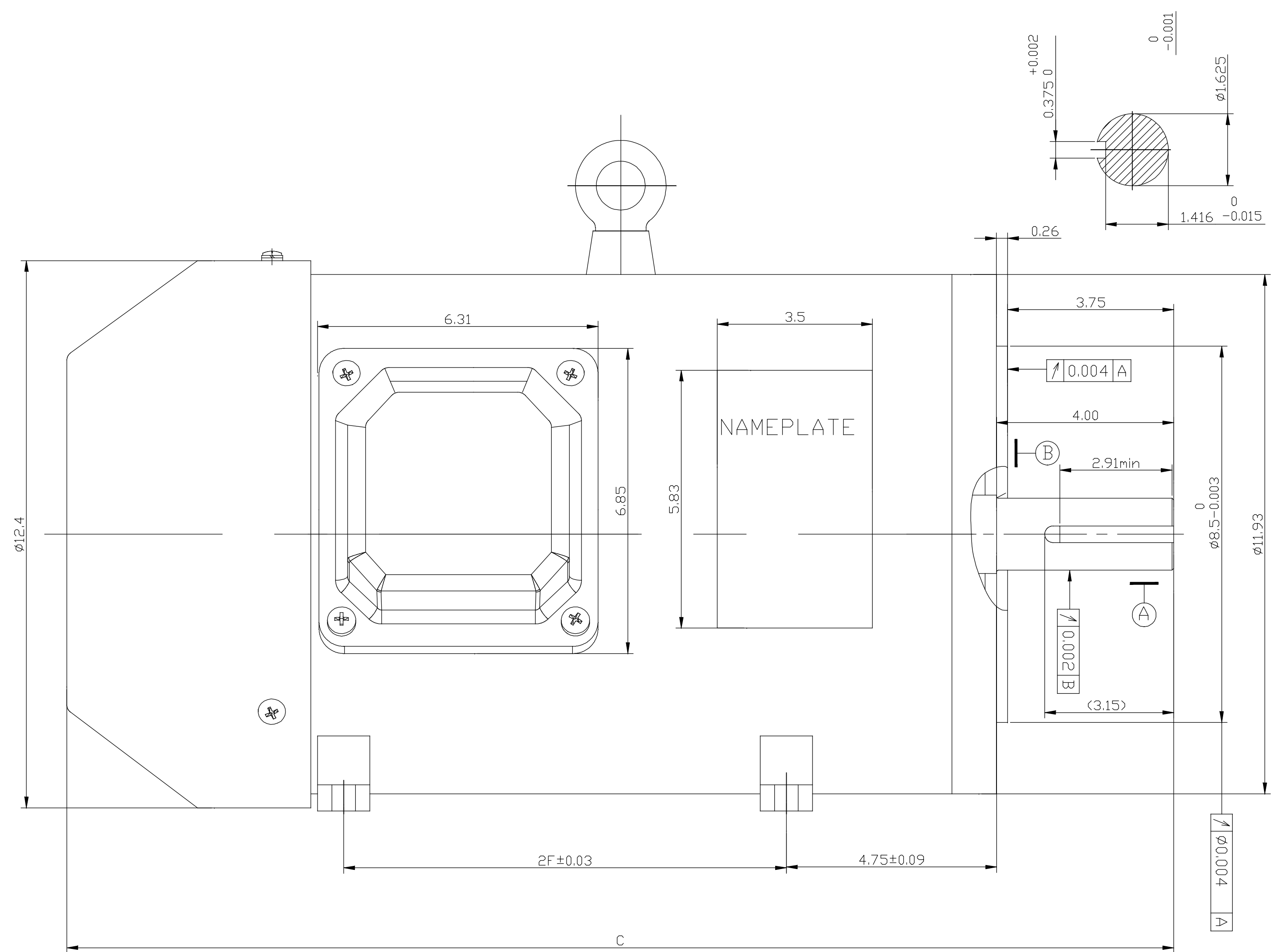
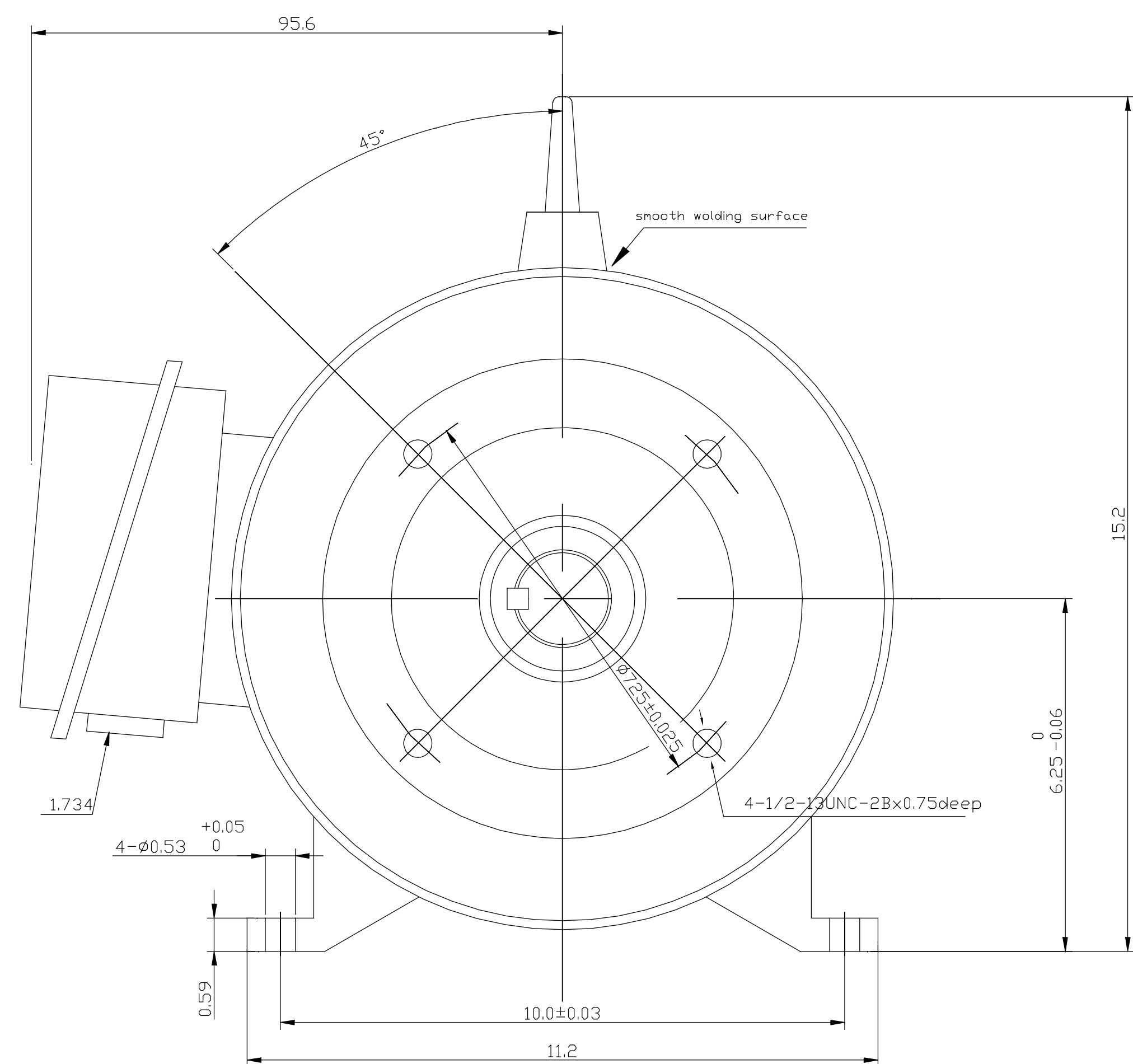
### Nameplate Specifications

Phase	<b>3</b>	Output HP	<b>20 &amp; 15 Hp</b>
Output KW	<b>14.9 &amp; 11.2 kW</b>	Voltage	<b>208-230/460 &amp; 190/380 V</b>
Speed	<b>1770 &amp; 1470 rpm</b>	Service Factor	<b>1.15 &amp; 1.15</b>
Frame	<b>256TC</b>	Enclosure	<b>Totally Enclosed Fan Cooled</b>
Thermal Protection	<b>No Protection</b>	Efficiency	<b>93 &amp; 91.7 %</b>
Ambient Temperature	<b>40 °C</b>	Frequency	<b>60 &amp; 50 Hz</b>
Current	<b>52-47/23.6 &amp; 43/21.4 A</b>	Power Factor	<b>86</b>
Duty	<b>Continuous</b>	Insulation Class	<b>F</b>
Design Code	<b>B</b>	KVA Code	<b>G</b>
Drive End Bearing Size	<b>6309</b>	Opp Drive End Bearing Size	<b>6211</b>
UL	<b>Recognized</b>	CSA	<b>Y</b>
CE	<b>Y</b>	IP Code	<b>55</b>
Number of Speeds	<b>1</b>		

### Technical Specifications

Electrical Type	<b>Squirrel Cage Inverter Rated</b>	Starting Method	<b>Line Or Inverter</b>
Poles	<b>4</b>	Rotation	<b>Reversible</b>
Mounting	<b>Rigid Base</b>	Motor Orientation	<b>Horizontal</b>
Drive End Bearing	<b>Ball</b>	Opp Drive End Bearing	<b>Ball</b>
Frame Material	<b>Stainless Steel</b>	Shaft Type	<b>T</b>
Overall Length	<b>25.00 in</b>	Shaft Diameter	<b>1.625 in</b>
Shaft Extension	<b>4 in</b>	Assembly/Box Mounting	<b>F1/F2 CAPABLE</b>
Inverter Load	<b>CONSTANT 4:1</b>		
Connection Drawing	<b>005010.01</b>	Outline Drawing	<b>SS620847</b>

SS620847



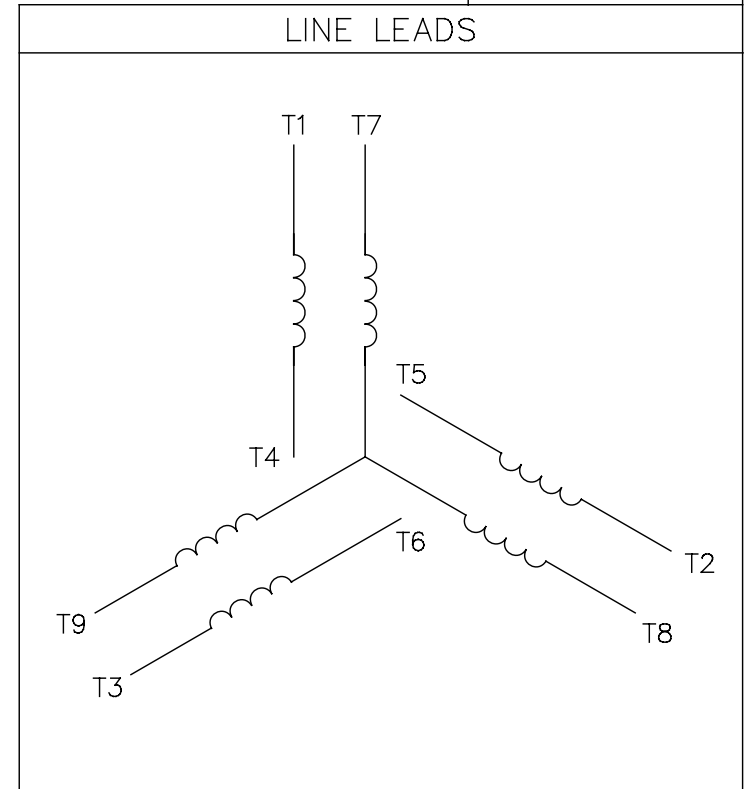
LEESON PART NO.	FRAME	HP	VOLTS	Hz	RPM	MOUNTING	S.F	DUTY	ENCL.	PH	2F	C
194008.00	254TC-2	15	230/460	60	3600	RIGID+C FLANGE	1.15	CONT.	TEFC	3	8.25	23.65MAX
194009.00	254TC-4	15	230/460	60	1800	RIGID+C FLANGE	1.15	CONT.	TEFC	3	8.25	23.65MAX
194010.00	256TC-2	20	230/460	60	3600	RIGID+C FLANGE	1.15	CONT.	TEFC	3	10.0	25MAX
194011.00	256TC-4	20	230/460	60	1800	RIGID+C FLANGE	1.15	CONT.	TEFC	3	10.0	25MAX

NOTE:  
1. TO REFERENCE GW DRAWING OGW.302.703

NO.	REVISION	BY & DATE	CHK	ANG	TOLERANCES UNLESS SPECIFIED		TITLE	DRAWN				
					DEC.	METRIC						
B	NOTE ADDED	NK 9/25/18	ST	.XXX	±.127	REGAL REGAL-BELOIT CORPORATION	OUTLINE SST 250 FRAME	DRAWN				
A	RELEASED FOR PRODUCTION ECO-0126037	WGJ 6-27-17	EMH	.XXXX	±.0127			CHK				
				.XX	±.76			APPD				
				.X	±2.5			SCALE				
								REF				
								FMF				
								PREV				
THIS DRAWING IN DESIGN AND DETAIL IS OUR PROPERTY AND MUST NOT BE USED EXCEPT IN CONNECTION WITH OUR WORK ALL RIGHTS OF DESIGN AND INVENTION ARE RESERVED THIS IS AN ELECTRONICALLY GENERATED DOCUMENT - DO NOT SCALE THIS PRINT							RFP	CAD FILE	SS620847	SIZE	DRAWING NO.	REV.
							DIST			B	SS620847	B

005010-01

VIEW FROM OUTSIDE OF MOTOR AT SWITCH END.



VOLTAGE	L1	L2	L3	JOIN & INSULATE
HIGH	T1	T2	T3	(T4,T7) (T5,T8) (T6,T9)
LOW	T1,T7	T2,T8	T3,T9	T4,T5,T6

				TOLERANCES UNLESS SPECIFIED		<b>REGAL</b> ™ <b>Regal Beloit America, Inc.</b>		DRAWN RDW 04/12/02				
				DEC.	INCHES			CHK				
				.X	±.1			APPD				
				.XX	±.01			SCALE 1=1				
				.XXX	±.005	TITLE		REF FIG.2-51				
A	UPDATED TO REGAL LOGO			SAJ	06/26/15	AJY	.XXXX	±.0005	MAT'L. DECAL - 004014	FMF		
NO.	REVISION			BY & DATE	CHK	ANG	±1/2"	FINISH	PREV			
THIS DRAWING IN DESIGN AND DETAIL IS OUR PROPERTY AND MUST NOT BE USED EXCEPT IN CONNECTION WITH OUR WORK ALL RIGHTS OF DESIGN AND INVENTION ARE RESERVED THIS IS AN ELECTRONICALLY GENERATED DOCUMENT - DO NOT SCALE THIS PRINT				RFP	04/12/02		CAD FILE	00501001		SIZE	DRAWING NO.	REV.
				DIST	BRF-NLV				A	005010-01		A