

# PRODUCT INFORMATION PACKET



Model No: 194009.00

Catalog No: 194009.00

SST Duck™ General Purpose Motor, 15 & 10 HP, 3 Ph, 60 & 50 Hz, 208-230/460 & 190/380 V,  
1800 & 1500 RPM, 254TC Frame, TEFC



Regal and Leeson are trademarks of Regal Rexnord Corporation or one of its affiliated companies.

©2023 Regal Rexnord Corporation, All Rights Reserved. MC017097E





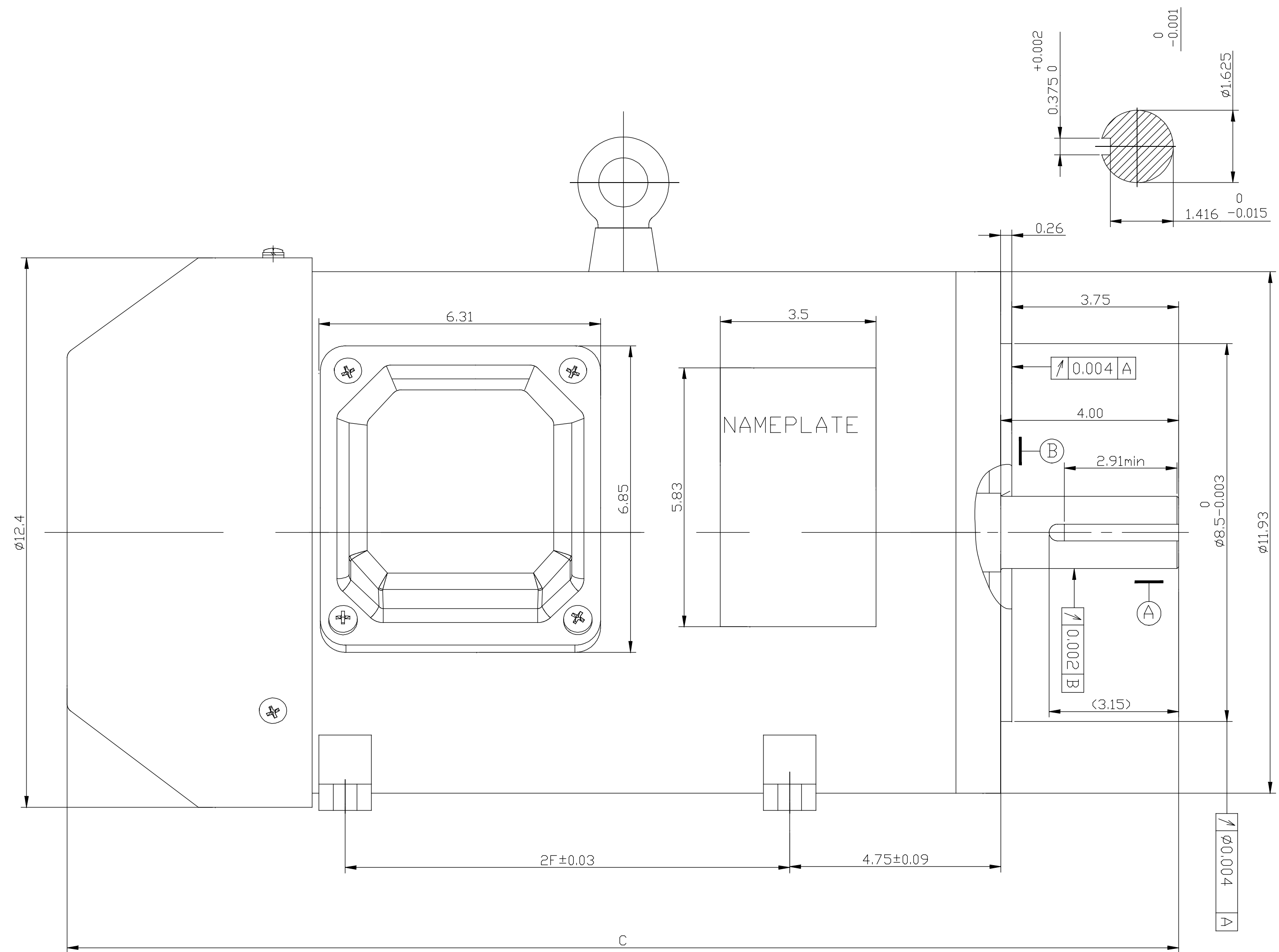
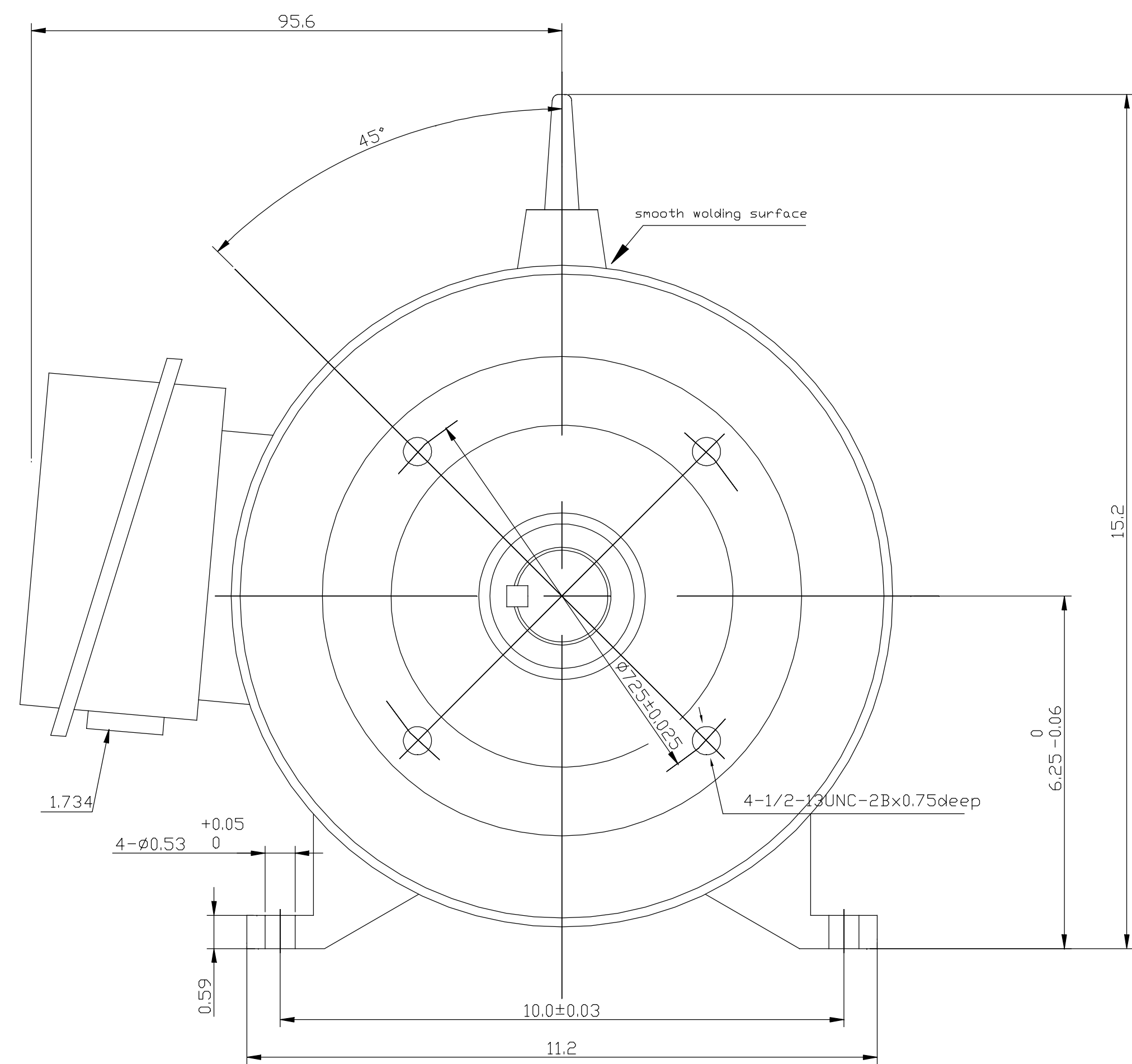
### Nameplate Specifications

Phase	3	Output HP	15 & 10 Hp
Output KW	11.2 & 7.5 kW	Voltage	208-230/460 & 190/380 V
Speed	1770 & 1470 rpm	Service Factor	1.15 & 1.15
Frame	254TC	Enclosure	Totally Enclosed Fan Cooled
Thermal Protection	No Protection	Efficiency	92.4 & 91 %
Ambient Temperature	40 °C	Frequency	60 & 50 Hz
Current	38-35.5/17.8 & 30/15.1 A	Power Factor	86
Duty	Continuous	Insulation Class	F
Design Code	B	KVA Code	G
Drive End Bearing Size	6309	Opp Drive End Bearing Size	6211
UL	Recognized	CSA	Y
CE	Y	IP Code	55
Number of Speeds	1		

### Technical Specifications

Electrical Type	Squirrel Cage Inverter Rated	Starting Method	Line Or Inverter
Poles	4	Rotation	Reversible
Mounting	Rigid Base	Motor Orientation	Horizontal
Drive End Bearing	Ball	Opp Drive End Bearing	Ball
Frame Material	Stainless Steel	Shaft Type	T
Overall Length	23.65 in	Shaft Diameter	1.625 in
Shaft Extension	4 in	Assembly/Box Mounting	F1/F2 CAPABLE
Inverter Load	CONSTANT 4:1		
Connection Drawing	005010.01	Outline Drawing	SS620847

SS620847



LEESON PART NO.	FRAME	HP	VOLTS	Hz	RPM	MOUNTING	S.F	DUTY	ENCL.	PH	2F	C
194008.00	254TC-2	15	230/460	60	3600	RIGID+C FLANGE	1.15	CONT.	TEFC	3	8.25	23.65MAX
194009.00	254TC-4	15	230/460	60	1800	RIGID+C FLANGE	1.15	CONT.	TEFC	3	8.25	23.65MAX
194010.00	256TC-2	20	230/460	60	3600	RIGID+C FLANGE	1.15	CONT.	TEFC	3	10.0	25MAX
194011.00	256TC-4	20	230/460	60	1800	RIGID+C FLANGE	1.15	CONT.	TEFC	3	10.0	25MAX

NOTE:  
1. TO REFERENCE GW DRAWING OGW.302.703

NO.	REVISION	BY & DATE	CHK	ANG	±1/2	TOLERANCES UNLESS SPECIFIED		REGAL REGAL-BELOIT CORPORATION	DRAWN		
						DEC.	METRIC				
						.X	± 2.5	TITLE OUTLINE SST 250 FRAME	DRAWN		
						.XX	± .76		CHK		
B	NOTE ADDED	NK 9/25/18	ST	.XXX	± .127				APPD		
A	RELEASED FOR PRODUCTION ECO-0126037	WGJ 6-27-17	EMH	.XXXX	± .0127			SCALE			
								REF			
								FMF			
								PREV			
THIS DRAWING IN DESIGN AND DETAIL IS OUR PROPERTY AND MUST NOT BE USED EXCEPT IN CONNECTION WITH OUR WORK ALL RIGHTS OF DESIGN AND INVENTION ARE RESERVED THIS IS AN ELECTRONICALLY GENERATED DOCUMENT - DO NOT SCALE THIS PRINT						RFP	CAD FILE	SS620847	SIZE	DRAWING NO.	REV.
						DIST			B	SS620847	B

005010-01

VIEW FROM OUTSIDE OF MOTOR AT SWITCH END.



VOLTAGE	L1	L2	L3	JOIN & INSULATE
HIGH	T1	T2	T3	(T4,T7) (T5,T8) (T6,T9)
LOW	T1,T7	T2,T8	T3,T9	T4,T5,T6

				TOLERANCES UNLESS SPECIFIED		<b>Regal Beloit America, Inc.</b>		DRAWN RDW 04/12/02				
				DEC.	INCHES			CHK				
				.X	±.1			APPD				
				.XX	±.01			SCALE 1=1				
				.XXX	±.005	TITLE		REF FIG.2-51				
A	UPDATED TO REGAL LOGO			SAJ	06/26/15	AJY	.XXXX	±.0005	MAT'L. DECAL - 004014	FMF		
NO.	REVISION			BY & DATE	CHK	ANG	±1/2"	FINISH	PREV			
THIS DRAWING IN DESIGN AND DETAIL IS OUR PROPERTY AND MUST NOT BE USED EXCEPT IN CONNECTION WITH OUR WORK ALL RIGHTS OF DESIGN AND INVENTION ARE RESERVED THIS IS AN ELECTRONICALLY GENERATED DOCUMENT - DO NOT SCALE THIS PRINT				RFP	04/12/02		CAD FILE	00501001		SIZE	DRAWING NO.	REV.
				DIST	BRF-NLV				A	005010-01		A