

PRODUCT INFORMATION PACKET



Model No: 194002.00

Catalog No: 194002.00

SST Duck™ General Purpose Motor, 5 & 3 HP, 3 Ph, 60 & 50 Hz, 230/460 & 190/380 V, 3600 & 3000 RPM,
184TC Frame, TEFC



Regal and Leeson are trademarks of Regal Rexnord Corporation or one of its affiliated companies.

©2023 Regal Rexnord Corporation, All Rights Reserved. MC017097E





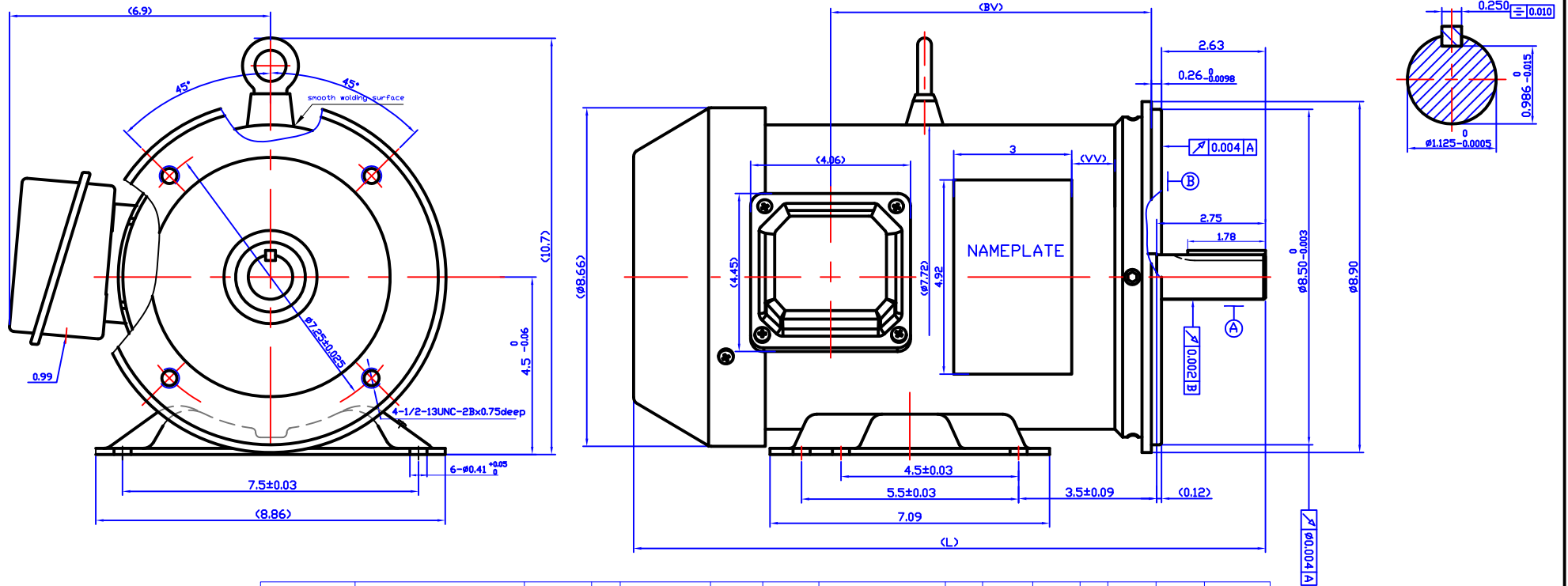
Nameplate Specifications

Phase	3	Output HP	5 & 3 Hp
Output KW	3.7 & 2.2 kW	Voltage	230/460 & 190/380 V
Speed	3520 & 2900 rpm	Service Factor	1.15 & 1.15
Frame	184TC	Enclosure	Totally Enclosed Fan Cooled
Thermal Protection	No Protection	Efficiency	88.5 & 87.5 %
Ambient Temperature	40 °C	Frequency	60 & 50 Hz
Current	11.0/5.5 & 8.0/4.0 A	Power Factor	93
Duty	Continuous	Insulation Class	F
Design Code	B	KVA Code	J
Drive End Bearing Size	6306	Opp Drive End Bearing Size	6306
UL	Recognized	CSA	Y
CE	Y	IP Code	55
Number of Speeds	1		

Technical Specifications

Electrical Type	Squirrel Cage Inverter Rated	Starting Method	Line Or Inverter
Poles	2	Rotation	Reversible
Resistance Main	2.59 Ohms	Mounting	Rigid Base
Motor Orientation	Horizontal	Drive End Bearing	Ball
Opp Drive End Bearing	Ball	Frame Material	Stainless Steel
Shaft Type	T	Overall Length	16.97 in
Frame Length	11.42 in	Shaft Diameter	1.125 in
Shaft Extension	2.75 in	Assembly/Box Mounting	F1 ONLY
Inverter Load	VARIABLE 10:1		
Connection Drawing	005010.01	Outline Drawing	OL180TCSST


This is an uncontrolled document once printed or downloaded and is subject to change without notice. Date Created:06/21/2023



CAT NO	GW MODEL NO	FRAME	HP	VOLTS	H _z	RPM	MOUNTING	S.F	DUTY	ENCL.	PH	VV	BV	L
194000.00	GWS3-2-182TC	182TC-2	3	230/460	60	3600	RIGID+C FLANGE	1.15	CONT.	TEFC	3	1.08	8.72	16.97
194102.00	GWS3-2-575-182TC	182TC-2	3	575	60	3600	RIGID+C FLANGE	1.15	CONT.	TEFC	3	1.08	8.72	16.97
194001.00	GWS3-4-182TC	182TC-4	3	230/460	60	1800	RIGID+C FLANGE	1.15	CONT.	TEFC	3	1.08	8.72	16.97
194103.00	GWS3-4-575-182TC	182TC-4	3	575	60	1800	RIGID+C FLANGE	1.15	CONT.	TEFC	3	1.08	8.72	16.97
194002.00	GWS5-2-184TC	184TC-2	5	230/460	60	3600	RIGID+C FLANGE	1.15	CONT.	TEFC	3	1.68	9.90	18.14
194104.00	GWS5-2-575-184TC	184TC-2	5	575	60	3600	RIGID+C FLANGE	1.15	CONT.	TEFC	3	1.68	9.90	18.14
194003.00	GWS5-4-184TC	184TC-4	5	230/460	60	1800	RIGID+C FLANGE	1.15	CONT.	TEFC	3	1.68	9.90	18.14
194105.00	GWS5-4-575-184TC	184TC-4	5	575	60	1800	RIGID+C FLANGE	1.15	CONT.	TEFC	3	1.68	9.90	18.14

DR BY: ZHAOQING 2016-08-18

APPD:

FIRST ANGLE PROJECTION  EDS DATE VERSION REV4

CONFIDENTIAL: THIS DRAWING AND ITS INFORMATION ARE THE EXCLUSIVE AND CONFIDENTIAL PROPERTY OF REGAL BELOIT CORPORATION AND ARE NOT TO BE DISCLOSED, DUPLICATED, DISTRIBUTED OR OTHERWISE USED WITHOUT THE WRITTEN CONSENT OF REGAL BELOIT CORPORATION

-ALL RIGHTS RESERVED.

REGAL REGAL-BELOIT CORPORATION

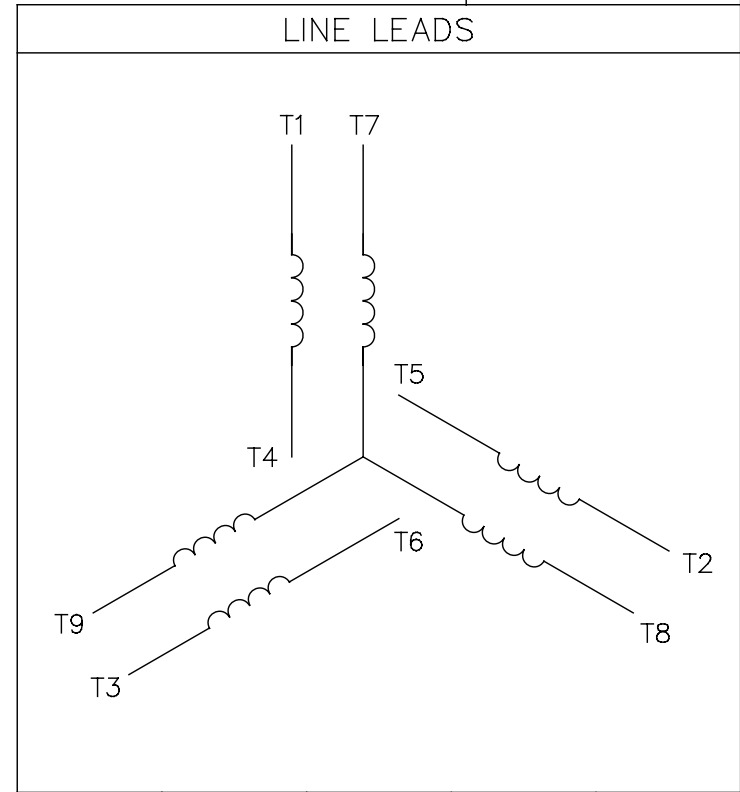
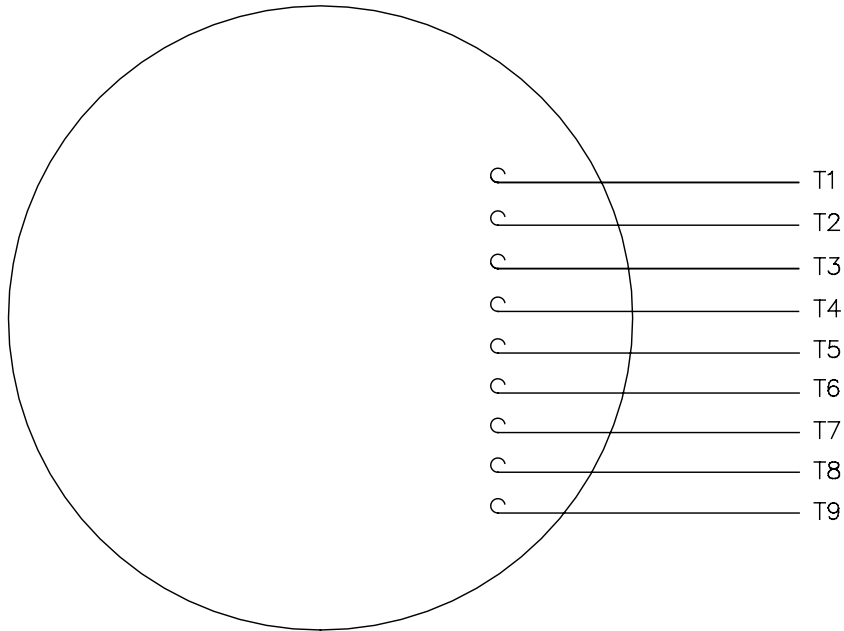
DESCRIPTION: OUTLINE OF SST MOTORS FOR 180 FR

SIZE: A3 DWG NO: OL180TCSST

SCALE: 1:2 SHEET

005010-01

VIEW FROM OUTSIDE OF MOTOR AT SWITCH END.



VOLTAGE	L1	L2	L3	JOIN & INSULATE
HIGH	T1	T2	T3	(T4,T7) (T5,T8) (T6,T9)
LOW	T1,T7	T2,T8	T3,T9	T4,T5,T6

				TOLERANCES UNLESS SPECIFIED		Regal Beloit America, Inc.		DRAWN RDW 04/12/02		
				DEC.	INCHES			CHK		
				.X	±.1			APPD		
				.XX	±.01			SCALE 1=1		
				.XXX	±.005	REF FIG.2-51				
A	UPDATED TO REGAL LOGO	SAJ 06/26/15	AJY	.XXXX	±.0005	TITLE EXTERNAL WIRING DIAGRAM 3 PHASE W/O PROTECTOR		FMF		
NO.	REVISION	BY & DATE	CHK	ANG	±1/2"	FINISH MAT'L. DECAL - 004014		PREV		
THIS DRAWING IN DESIGN AND DETAIL IS OUR PROPERTY AND MUST NOT BE USED EXCEPT IN CONNECTION WITH OUR WORK ALL RIGHTS OF DESIGN AND INVENTION ARE RESERVED THIS IS AN ELECTRONICALLY GENERATED DOCUMENT - DO NOT SCALE THIS PRINT				RFP	04/12/02	CAD FILE 00501001		SIZE	DRAWING NO.	REV.
				DIST BRF-NLV		A	005010-01	A		

EC Declaration of Conformity

The undersigned representing
the manufacturer:

Regal Beloit America
100 East Randolph St.
Wausau, WI 54401

and the authorized representative
established within the Community:

Marathon Electric UK
6F Thistleton Road Ind. Estate
Market Overton
Oakham, Rutland LE15 7PP UK

are committed to providing customers with products that comply with applicable regulations and international protocols to which they are subject, including the requirements of the European Parliament Directive on the Harmonization of the laws relating to electrical equipment designed for use within certain voltage limits (2014/35/EU).

Regal Beloit America declares that the following product(s), to which this declaration relates, are in conformity with the relevant sections of the EC standards listed below.

This statement supersedes any statements previously issued pertaining to the product(s) listed below and is subject to change without notice.

Model No : 194002.00

(Model No. may contain prefix and/or suffix characters)

Catalog No : 194002.00

Rework No : N/A

Directives :

Low Voltage Directive 2014/35/EU

Harmonized Standards Used :

EN 60034-1: 2010 (IEC 60034-1: 2010)

EN 60034-5: 2001/A1:2007 (IEC 60034-5: 2000/A1:2006)

Authorized Representative:



Michael A. Logsdon
Vice President, Technology

Authorized Representative in the Community:



Julian Clark
Marketing Engineer

Created on 09/01/2022

CE 22