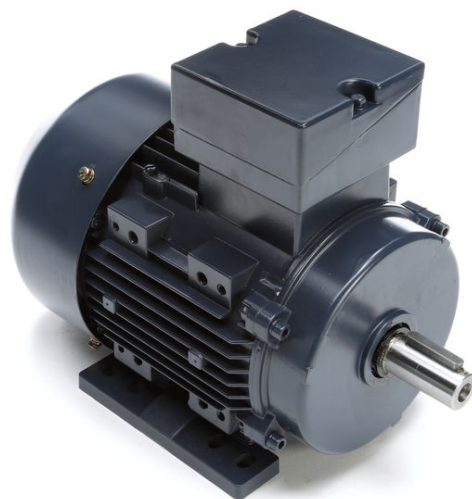


# PRODUCT INFORMATION PACKET



Model No: 193396.60  
Catalog No: 193396.60  
40 HP General Purpose, 3 phase, 3600 RPM, 575 V, 200L Frame, TEFC  
Cast Iron Motors



Regal and Leeson are trademarks of Regal Rexnord Corporation or one of its affiliated companies.  
©2021 Regal Rexnord Corporation, All Rights Reserved. MC017097E





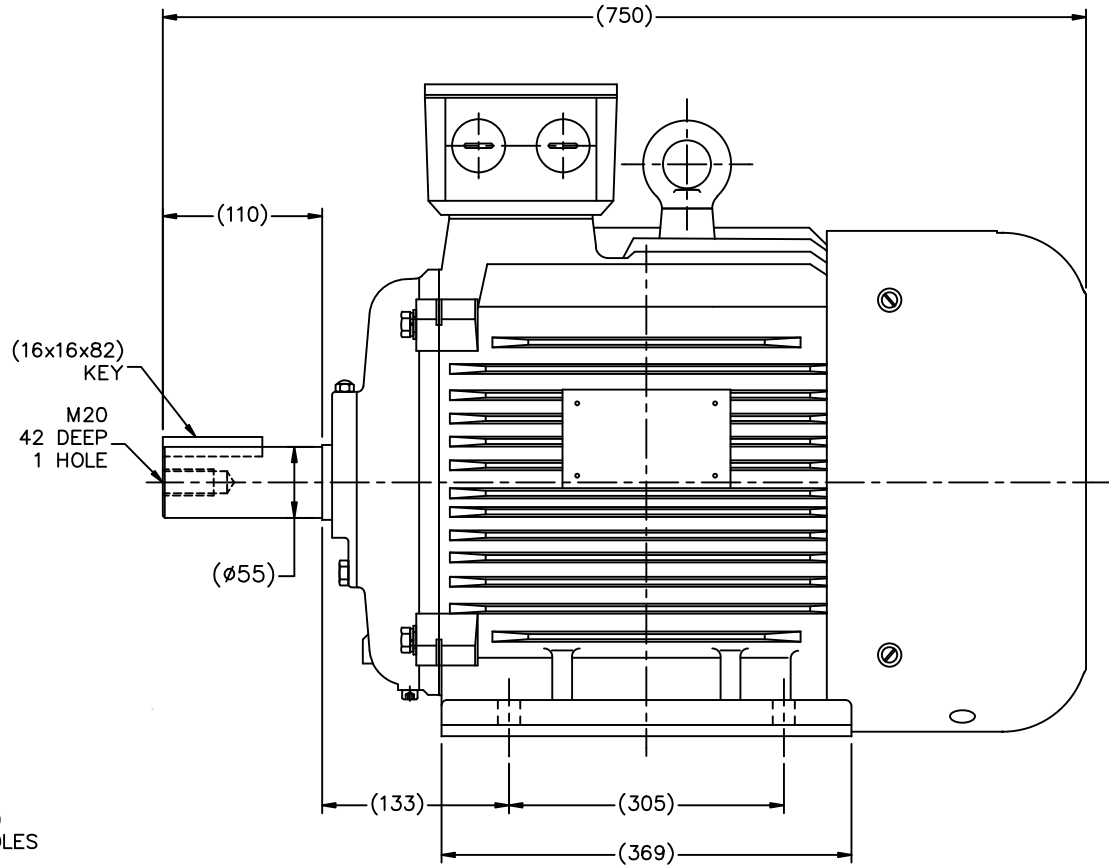
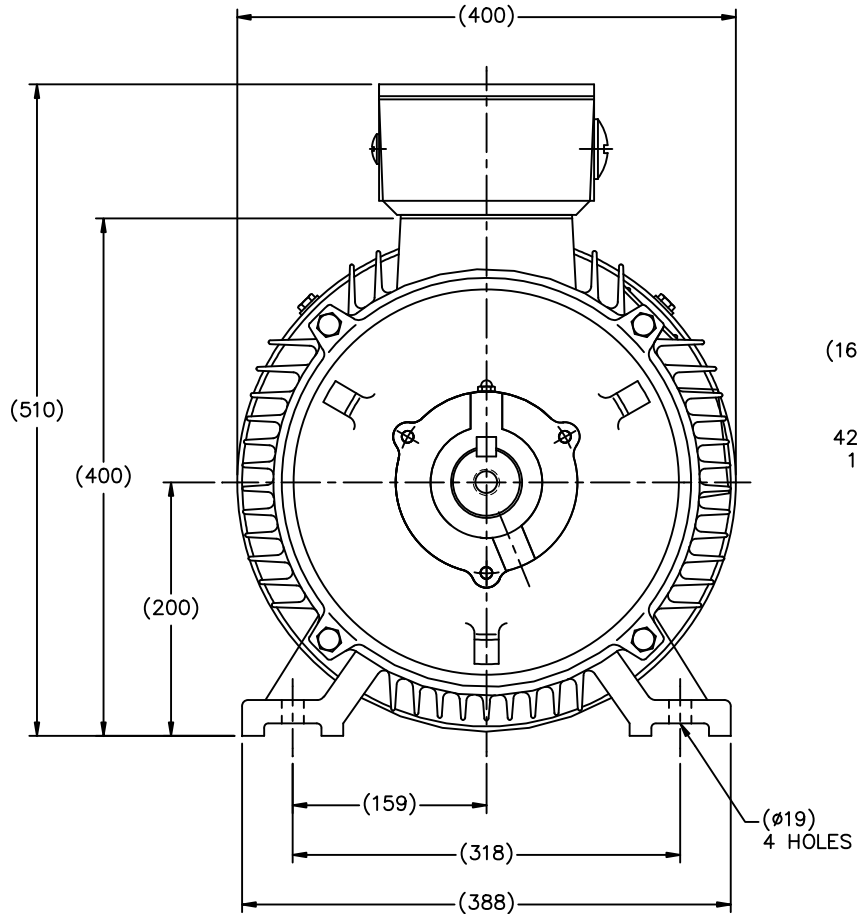
### Nameplate Specifications

Output HP	<b>40 Hp</b>	Output KW	<b>30.0 kW</b>
Frequency	<b>60 Hz</b>	Voltage	<b>575 V</b>
Current	<b>28.4 A</b>	Speed	<b>3558 rpm</b>
Service Factor	<b>1.15</b>	Phase	<b>3</b>
Efficiency	<b>93.6 %</b>	Power Factor	<b>87</b>
Duty	<b>Continuous</b>	Insulation Class	<b>F</b>
Design Code	<b>B</b>	KVA Code	<b>G</b>
Frame	<b>200L</b>	Enclosure	<b>Totally Enclosed Fan Cooled</b>
Thermal Protection	<b>Thermostats (N/C)</b>	Ambient Temperature	<b>40 °C</b>
Drive End Bearing Size	<b>6212</b>	Opp Drive End Bearing Size	<b>6212</b>
UL	<b>Recognized</b>	CSA	<b>Y</b>
CE	<b>Y</b>	IP Code	<b>55</b>
Number of Speeds	<b>1</b>		

### Technical Specifications

Electrical Type	<b>Squirrel Cage Inverter Rated</b>	Starting Method	<b>Wye Start Delta Run Or Inverter</b>
Poles	<b>2</b>	Rotation	<b>Reversible</b>
Mounting	<b>Rigid Base</b>	Motor Orientation	<b>Horizontal</b>
Drive End Bearing	<b>Ball</b>	Opp Drive End Bearing	<b>Ball</b>
Frame Material	<b>Cast Iron</b>	Shaft Type	<b>IEC</b>
Overall Length	<b>29.52 in</b>	Shaft Diameter	<b>2.187 in</b>
Shaft Extension	<b>4.33 in</b>	Assembly/Box Mounting	<b>F3</b>
Inverter Load	<b>CONSTANT 10:1</b>		
Outline Drawing	<b>SS622240</b>	Connection Drawing	<b>005190</b>

This is an uncontrolled document once printed or downloaded and is subject to change without notice. Date Created:10/07/2021



(MAY NOT BE DRAWN TO SCALE)

(DIMENSIONS ARE IN MILLIMETERS)

DF200L	193327.60
	193330.60
	193328.60
	193323.60
	193326.60
FRAME	PART #

			TOLERANCES UNLESS SPECIFIED			DRAWN MSG 11-17-2010	
			DEC.	METRIC		CHK MJS 11-18-2010	
			.X	±2.5		APPD SB 11-18-2010	
			.XX	±.76		SCALE 1=4	
			.XXX	±.127		REF	
			.XXXX	±.0127	MAT'L	FMF HEBEI	
NO.	REVISION	BY & DATE	CHK	ANG	FINISH	PREV	
THIS DRAWING IN DESIGN AND DETAIL IS OUR PROPERTY AND MUST NOT BE USED EXCEPT IN CONNECTION WITH OUR WORK ALL RIGHTS OF DESIGN AND INVENTION ARE RESERVED THIS IS AN ELECTRONICALLY GENERATED DOCUMENT - DO NOT SCALE THIS PRINT			RFP	11-18-2010	CAD FILE SS622240	SIZE B	DRAWING NO. PAGE OF REV. SS622240
			DIST				



**1051 CHEYENNE AVE.  
GRAFTON, WI 53024  
PH. 262-377-8810**

CATALOG #: 193396.60

CONN. DIAGRAM: 005190

OUTLINE: SS622240

MOUNTING: F3

WINDING #: T16102021 4

**TYPICAL MOTOR PERFORMANCE DATA**

HP	kW	SYNC. RPM	F.L. RPM	FRAME	ENCLOSURE	KVA CODE	DESIGN
40	30.0	3600	3558	200L	TEFC	G	B

PH	Hz	VOLTS	AMPS	START TYPE	DUTY	INSL	S.F.	AMB°C
3	60	575	28.4	Y START D RUN OR INV	CONTINUOUS	F5	1.15	40

FULL LOAD EFF:	93.6	3/4 LOAD EFF:	93.6	1/2 LOAD EFF:	93	GTD. EFF	92.4	ELEC. TYPE	SQ CAGE INV RATED
FULL LOAD PF:	87	3/4 LOAD PF:	86	1/2 LOAD PF:	80				

F.L. TORQUE	LOCKED ROTOR AMPS	L.R. TORQUE	B.D. TORQUE	F.L. RISE°C
59 LB-FT	244	110 LB-FT 185 %	160 LB-FT 270 %	65

SOUND PRESSURE @ 3 FT.	SOUND POWER	ROTOR WK^2	MAX. WK^2	SAFE STALL TIME	STARTS / HOUR	APPROX. MOTOR WGT
75 dBA	85 dBA	3.24 LB-FT^2	- LB-FT^2	25 SEC.	2	- LBS.

**\*\*\* SUPPLEMENTAL INFORMATION \*\*\***

DE BRACKET TYPE	ODE BRACKET TYPE	MOUNT TYPE	ORIENTATION	SEVERE DUTY	HAZARDOUS LOCATION	DRIP COVER	SCREENS	PAINT
STANDARD	STANDARD	RIGID	HORIZONTAL	FALSE	NONE	TRUE	NONE	BLUE - LEESON (ENAMEL)

BEARINGS		GREASE	SHAFT TYPE	SPECIAL DE	SPECIAL ODE	SHAFT MATERIAL	FRAME MATERIAL
DE	ODE						
BALL	BALL	POLYREX EM	STANDARD IEC	NONE	NONE	AISI 1045 (C-240)	CAST IRON
6212	6212						

THERMO-PROTECTORS				THERMISTORS	CONTROL	SPACE HEATERS
THERMOSTATS	PROTECTORS	WDG RTDs	BRG RTDs			
TSTATS (N/C)	NOT	NONE	NONE	NONE	FALSE	NONE VOLTS

\*  
N  
O  
T  
E  
S

<b>INVERTER TORQUE:</b> CONSTANT 10:1
<b>INV. HP SPEED RANGE:</b> NONE
<b>ENCODER:</b> NONE
NONE NONE
NONE NONE PPR
<b>BRAKE:</b> NONE NONE
NONE P/N NONE
NONE NONE
NONE FT-LB NONE V NO BRAKE Hz

Data Sheet

Date: 1/17/2018

193396.60



Data @ 575 V

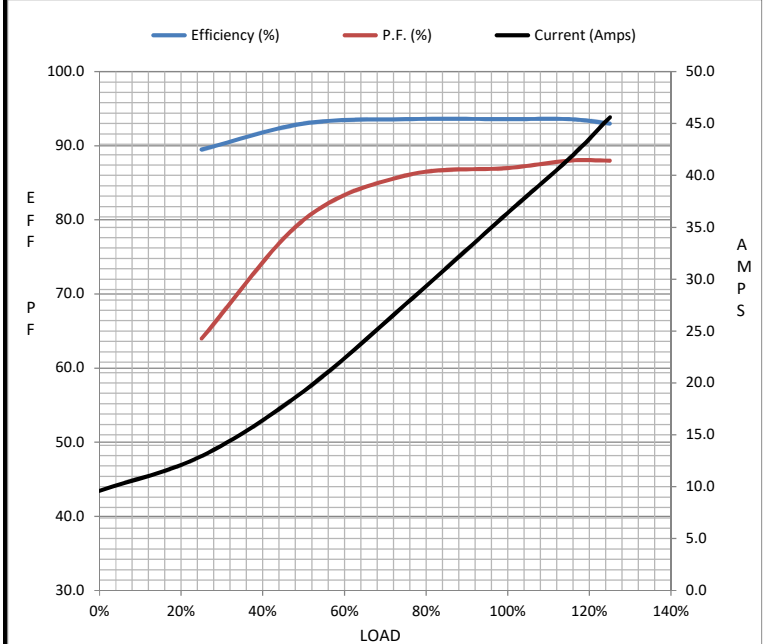
Motor Load Data

Load	0%	25%	50%	75%	100%	115%	125%	LR
Current (Amps)	9.6	13.0	19.2	27.6	36.4	41.6	45.6	244
Torque (ft-lb)	0.00	14.8	29.5	44.0	59.0	68.0	74.0	110
RPM	3600	3588	3580	3570	3558	3,550	3545	0
Efficiency (%)		89.5	93.0	93.6	93.6	93.6	93.0	
P.F. (%)	8.0	64.0	80.0	86.0	87.0	88.0	88.0	35.0

Motor Speed Data

	LR	Pull-Up	BD	Rated	Idle
Speed (RPM)	0	1800	3425	3558	3600
Current (Amps)	244	220	148	36.4	9.6
Torque (ft-lb)	110	95.0	160	59.0	0.00

Information Block				
HP	40.0			
Sync. RPM	3600			
Frame	324			
Enclosure	TEFC			
Construction	TFC			
Voltage	575 V			
Frequency	60 Hz			
Design	A			
LR Code letter	H			
Service Factor	1.15			
Temp Rise @ FL	65 °C			
Duty	CONT			
Ambient	40 °C			
Elevation	1,000 feet			
Rotor/Shaft wk <sup>2</sup>	3.2 Lb-Ft <sup>2</sup>			
Ref Wdg	T16102021 NONE			
Sound Pressure @ 1M	75 dBA			
VFD Rating	CONSTANT 10:1			
Outline Dwg	SS622240			
Conn. Diag	005190			
Additional Specifications:				
0				
0				
EQUIV CKT (OHMS / PHASE)				
R1	R2	X1	X2	Xm
0.0000	0.0000	0.0000	0.0000	0.0000



Speed - Torque Curve

