

# PRODUCT INFORMATION PACKET



Model No: 193349.60

Catalog No: 193349.60

LEESON® PASSPORT 15 HP General Purpose, 3 phase, 1800 RPM, 230/460 V, 160M Frame, TEFC



Regal and Leeson are trademarks of Regal Rexnord Corporation or one of its affiliated companies.

©2023 Regal Rexnord Corporation, All Rights Reserved. MC017097E



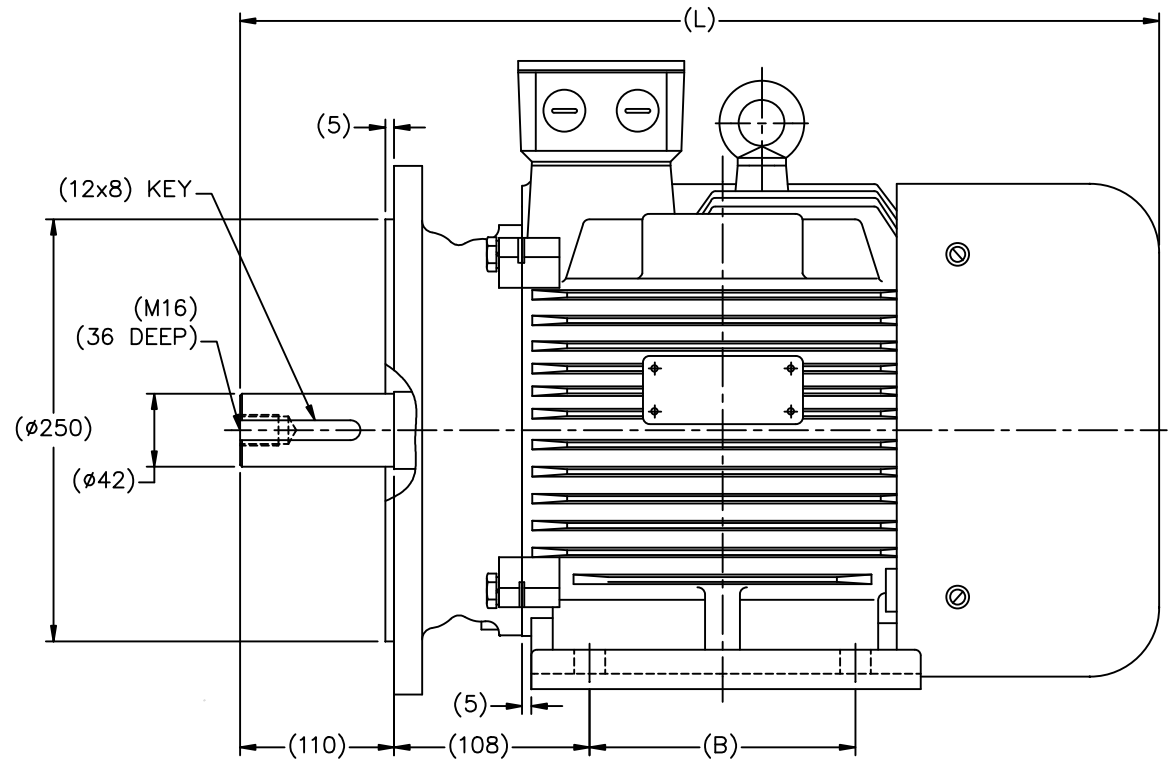
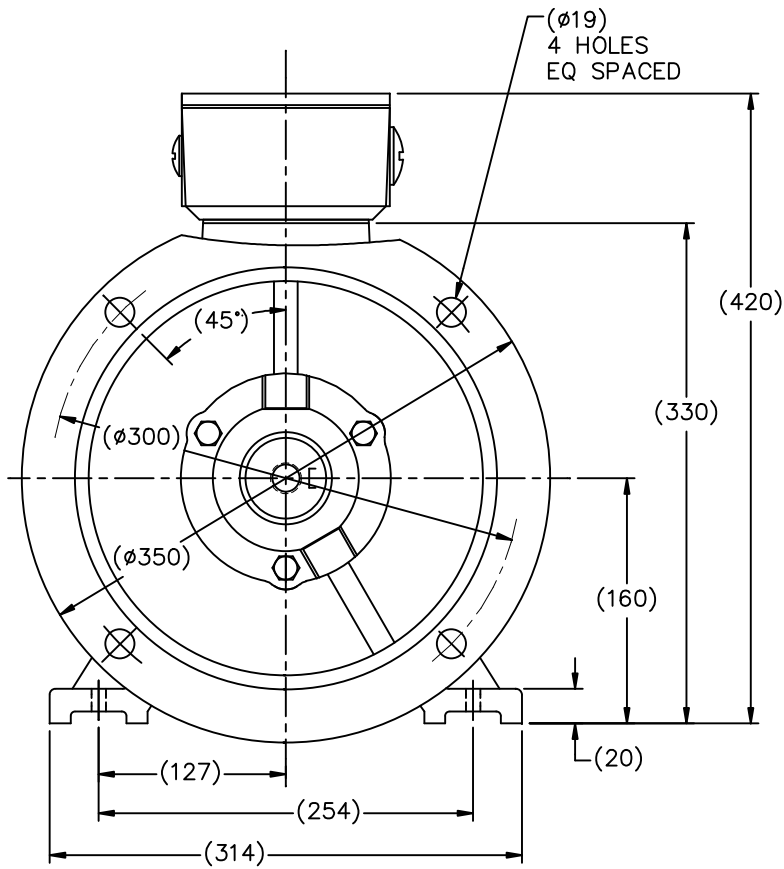


### Nameplate Specifications

Phase	<b>3</b>	Output HP	<b>15 &amp; 10 Hp</b>
Output KW	<b>11.2 &amp; 7.5 kW</b>	Voltage	<b>230/460 &amp; 200/400 V</b>
Speed	<b>1775 &amp; 1482 rpm</b>	Service Factor	<b>1.15 &amp; 1.15</b>
Frame	<b>160M</b>	Enclosure	<b>Totally Enclosed Fan Cooled</b>
Thermal Protection	<b>No Protection</b>	Efficiency	<b>92.4 &amp; 91.7 %</b>
Ambient Temperature	<b>40 °C</b>	Frequency	<b>60 &amp; 50 Hz</b>
Current	<b>37/18.5 &amp; 31/15.5 A</b>	Power Factor	<b>82.5</b>
Duty	<b>Continuous</b>	Insulation Class	<b>F</b>
Design Code	<b>B</b>	KVA Code	<b>H</b>
Drive End Bearing Size	<b>6309</b>	Opp Drive End Bearing Size	<b>6209</b>
UL	<b>Recognized</b>	CSA	<b>Y</b>
CE	<b>Y</b>	IP Code	<b>55</b>
Number of Speeds	<b>1</b>		

### Technical Specifications

Electrical Type	<b>Squirrel Cage Inverter Rated</b>	Starting Method	<b>Wye Start Delta Run Or Inverter</b>
Poles	<b>4</b>	Rotation	<b>Reversible</b>
Resistance Main	<b>.129 Ohms</b>	Mounting	<b>Rigid Base</b>
Motor Orientation	<b>Horizontal</b>	Drive End Bearing	<b>Ball</b>
Opp Drive End Bearing	<b>Ball</b>	Frame Material	<b>Cast Iron</b>
Shaft Type	<b>IEC</b>	Overall Length	<b>23.62 in</b>
Shaft Diameter	<b>1.625 in</b>	Shaft Extension	<b>4.33 in</b>
Assembly/Box Mounting	<b>F3</b>		
Connection Drawing	<b>004172.03</b>	Outline Drawing	<b>B-SS622272</b>



Cat. No	MODEL	B	L
193348.60	DF160M1D-2R	210	600
193351.60	DF160M2D-2R	210	600
193349.60	DF160MD-4R	210	600
193354.60	DF160LD-2R	254	645
193352.60	DF160LD-4R	254	645
193347.60	DF160MD-6R	210	600

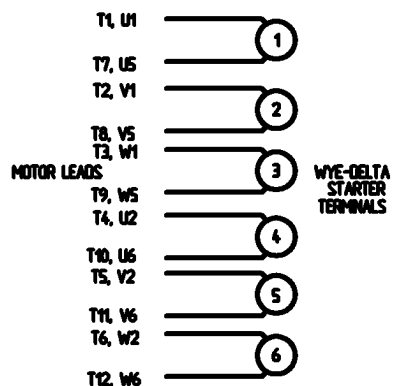
(MAY NOT BE DRAWN TO SCALE)

(DIMENSIONS ARE IN MILLIMETERS)

NO.		REVISION	BY & DATE	CHK	ANG	FINISH	TOLERANCES UNLESS SPECIFIED			DRAWN	DATE				
							DEC.	METRIC		CHK	DATE				
							.X	±2.5		HLB	12-10-2010				
							.XX	±.76		DJK	12-17-2010				
							.XXX	±.127		SB	12-18-2010				
							.XXXX	±.0127							
										APPD	1-18				
										REF					
										FMF	HEBEI				
										PREV					
THIS DRAWING IN DESIGN AND DETAIL IS OUR PROPERTY AND MUST NOT BE USED EXCEPT IN CONNECTION WITH OUR WORK ALL RIGHTS OF DESIGN AND INVENTION ARE RESERVED THIS IS AN ELECTRONICALLY GENERATED DOCUMENT - DO NOT SCALE THIS PRINT							RFP	12-18-2010	CAD FILE	SS622272	SIZE	DRAWING NO.	PAGE	OF	REV.
							DIST				B	SS622272			

WYE - DELTA STARTING USEABLE ON 2,4 AND 6 POLE MOTORS.

LOW VOLTAGE CONNECTION

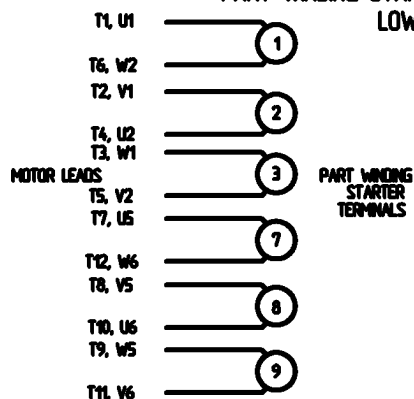


HIGH VOLTAGE CONNECTION



REFER TO THE WYE-DELTA STARTER CONNECTION INSTRUCTIONS FOR PROPER CONNECTION OF POWER LINES TO STARTER.

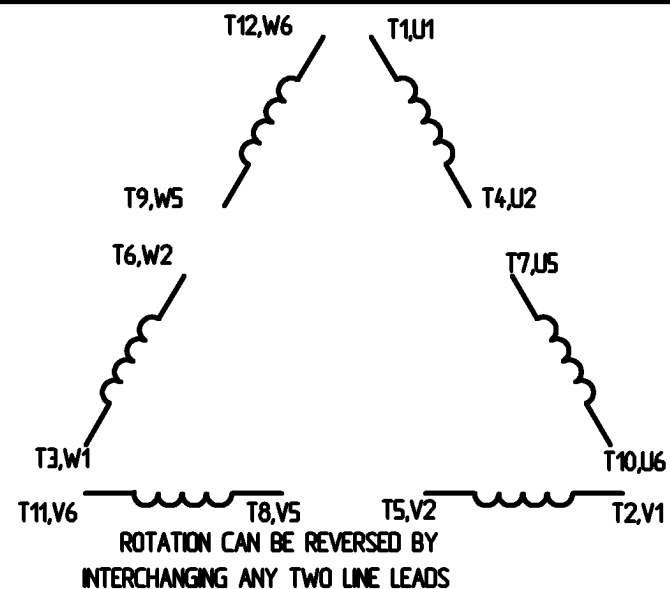
PART WINDING START USABLE ON 4 & 6 POLE MOTORS  
LOW VOLTAGE CONNECTION ONLY



REFER TO THE PART WINDING STARTER INSTRUCTIONS FOR PROPER CONNECTION OF POWER LINES TO STARTER.

REFER TO THE CUTLER - HAMMER OR EQUIV. FOR PROPER SELECTION OF OVERLOAD HEATER COILS.

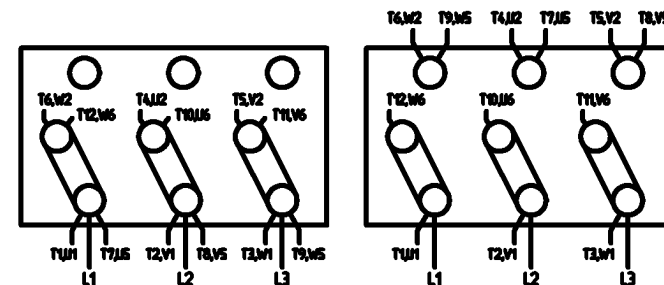
LINE LEADS



12 LEAD DELTA CONNECTION ACROSS THE LINE START  
(FOR Y START DELTA RUN, REMOVE THE JUMPERS)

LOW VOLTAGE  
MUST BE REWIRED AS SHOWN

HIGH VOLTAGE  
FACTORY WIRED FOR HIGH VOLTAGE AS SHOWN



				TOLERANCES UNLESS SPECIFIED		<p><b>ELECTRIC MOTORS GEARMOTORS AND DRIVES</b></p>	DRAWN <b>CW 08/28/02</b> CHK APPD SCALE <b>1:1</b> REF FMF PREV
				DEC.	INCHES		TITLE <b>DELTA - WYE CONNECTION DIAGRAM IEC CAST IRON MOTORS</b>
				X	+ 1		
				XX	+ .01		
				XXX	+ .005		
				XXXX	+ .0005	MAT'L	
NO.	REVISION	BY & DATE	CHK	ANG	+ 1/2°	FINISH	PREV
THIS DRAWING IN DESIGN AND DETAIL IS OUR PROPERTY AND MUST NOT BE USED EXCEPT IN CONNECTION WITH OUR WORK ALL RIGHTS OF DESIGN AND INVENTION ARE RESERVED THIS IS AN ELECTRONICALLY GENERATED DOCUMENT - DO NOT SCALE THIS PRINT				RFP	CAD FILE	00417203	SIZE <b>A</b>
				DST			DRAWING NO. <b>004172-03</b>
							REV.

ERROR: syntaxerror  
OFFENDING COMMAND: --nostringval--

STACK:

/CB  
-dictionary-  
/Pscript\_WinNT\_Compat  
-dictionary-



**CERTIFICATION DATA SHEET**

**1051 CHEYENNE AVE.  
GRAFTON, WI 53024  
PH. 262-377-8810**

**CATALOG #:** 193349.60

**CONN. DIAGRAM:** 004172.03

**OUTLINE:** B-SS622272

**MOUNTING:** F3

**WINDING #:** T12904005 1

**TYPICAL MOTOR PERFORMANCE DATA**

HP	kW	SYNC. RPM	F.L. RPM	FRAME	ENCLOSURE	KVA CODE	DESIGN
15&10	11.2&7.50	1800	1775&1482	160M	TEFC	H	B

PH	Hz	VOLTS	AMPS	START TYPE	DUTY	INSL	S.F.	AMB°C
3	60/50	230/460&200/400	37/18.5&31/15.5	Y START D RUN OR INV	CONTINUOUS	F5	1.15/1.15	40

FULL LOAD EFF:	92.4&91.7	3/4 LOAD EFF:	92.4	1/2 LOAD EFF:	91.7	GTD. EFF		ELEC. TYPE	
FULL LOAD PF:	82.5&76	3/4 LOAD PF:	78	1/2 LOAD PF:	67.5	-		SQ CAGE INV RATED	

F.L. TORQUE	LOCKED ROTOR AMPS	L.R. TORQUE	B.D. TORQUE	F.L. RISE°C
44.6 LB-FT	280 / 140	126 LB-FT 284 %	154 LB-FT 347 %	45

SOUND PRESSURE @ 3 FT.	SOUND POWER	ROTOR WK^2	MAX. WK^2	SAFE STALL TIME	STARTS / HOUR	APPROX. MOTOR WGT
- dBA	- dBA	2.09 LB-FT^2	2.1 LB-FT^2	15 SEC.	2	- LBS.

**\*\*\* SUPPLEMENTAL INFORMATION \*\*\***

DE BRACKET TYPE	ODE BRACKET TYPE	MOUNT TYPE	ORIENTATION	SEVERE DUTY	HAZARDOUS LOCATION	DRIP COVER	SCREENS	PAINT
FF-FLANGE-300	STANDARD	RIGID	HORIZONTAL	PREMIUM SEVERE DUTY	NONE	FALSE	NONE	BLUE - LEESON (ENAMEL)

BEARINGS		GREASE	SHAFT TYPE	SPECIAL DE	SPECIAL ODE	SHAFT MATERIAL	FRAME MATERIAL
DE	ODE						
BALL	BALL	POLYREX EM	STANDARD IEC	NONE	NONE	AISI 1045 (C-240)	CAST IRON
6309	6209						

THERMO-PROTECTORS				THERMISTORS	CONTROL	SPACE HEATERS
THERMOSTATS	PROTECTORS	WDG RTDs	BRG RTDs			
NONE	NOT	NONE	NONE	NONE	FALSE	NONE VOLTS

\*  
N  
O  
T  
E

<b>INVERTER TORQUE:</b> CONSTANT 10:1
<b>INV. HP SPEED RANGE:</b> NONE
<b>ENCODER:</b> NONE NONE NONE NONE NONE PPR
<b>BRAKE:</b> NONE NONE NONE P/N NONE NONE NONE NONE FT-LB NONE V NO BRAKE Hz

Data Sheet

Date: 1/22/2018

193349.60



Data @ **460 V**

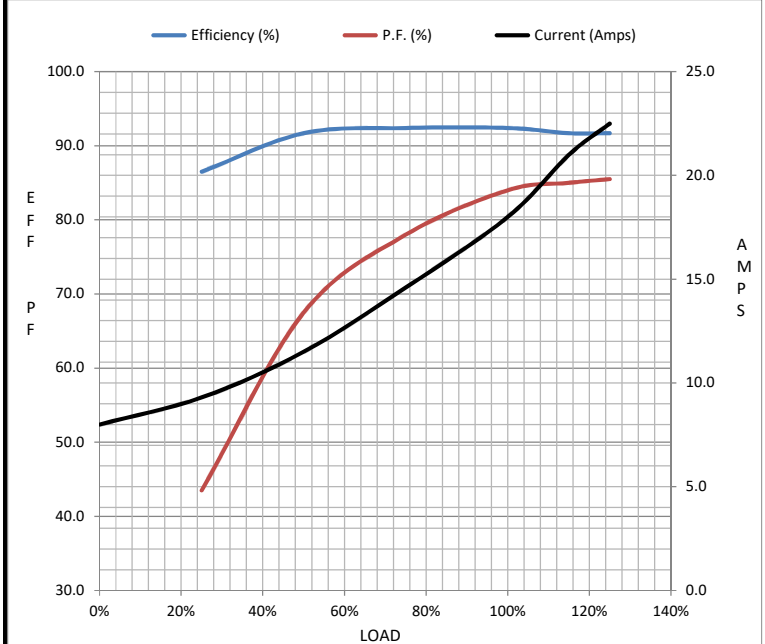
Motor Load Data

Load	0%	25%	50%	75%	100%	115%	125%	LR
Current (Amps)	8.0	9.3	11.5	14.6	18.0	21.0	22.5	140
Torque (ft-lb)	0.00	11.0	22.0	33.2	44.6	51.3	55.7	126
RPM	1800	1794	1788	1780	1765	1.770	1765	0
Efficiency (%)		86.5	91.7	92.4	92.4	91.7	91.7	
P.F. (%)	6.0	43.5	67.5	78.0	84.0	85.0	85.5	0.0

Motor Speed Data

	LR	Pull-Up	BD	Rated	Idle
Speed (RPM)	0	467	1620	1765	1800
Current (Amps)	140	130	79.5	18.0	8.0
Torque (ft-lb)	126	98.5	154	44.6	0.00

Information Block				
HP	15.0			
Sync. RPM	1800			
Frame	254			
Enclosure	TEFC			
Construction	TFC			
Voltage	230/460#200/400 V			
Frequency	60 Hz			
Design	A			
LR Code letter	H			
Service Factor	1.15			
Temp Rise @ FL	45 °C			
Duty	CONT			
Ambient	40 °C			
Elevation	1,000 feet			
Rotor/Shaft wk <sup>2</sup>	2.09 Lb-Ft <sup>2</sup>			
Ref Wdg	T12904005 NONE			
Sound Pressure @ 1M	999 dBA			
VFD Rating	CONSTANT 10:1			
Outline Dwg	B-SS622272			
Conn. Diag	004172.03			
Additional Specifications:				
0				
0				
EQUIV CKT (OHMS / PHASE)				
R1	R2	X1	X2	Xm
0.0000	0.0000	0.0000	0.0000	0.0000



Speed - Torque Curve

