

PRODUCT INFORMATION PACKET



Model No: 193369.60

Catalog No: 193369.60

LEESON® PASSPORT 7.5 HP General Purpose, 3 phase, 1200 RPM, 230/460 V, 132M Frame, TEFC



Regal and Leeson are trademarks of Regal Rexnord Corporation or one of its affiliated companies.

©2023 Regal Rexnord Corporation, All Rights Reserved. MC017097E



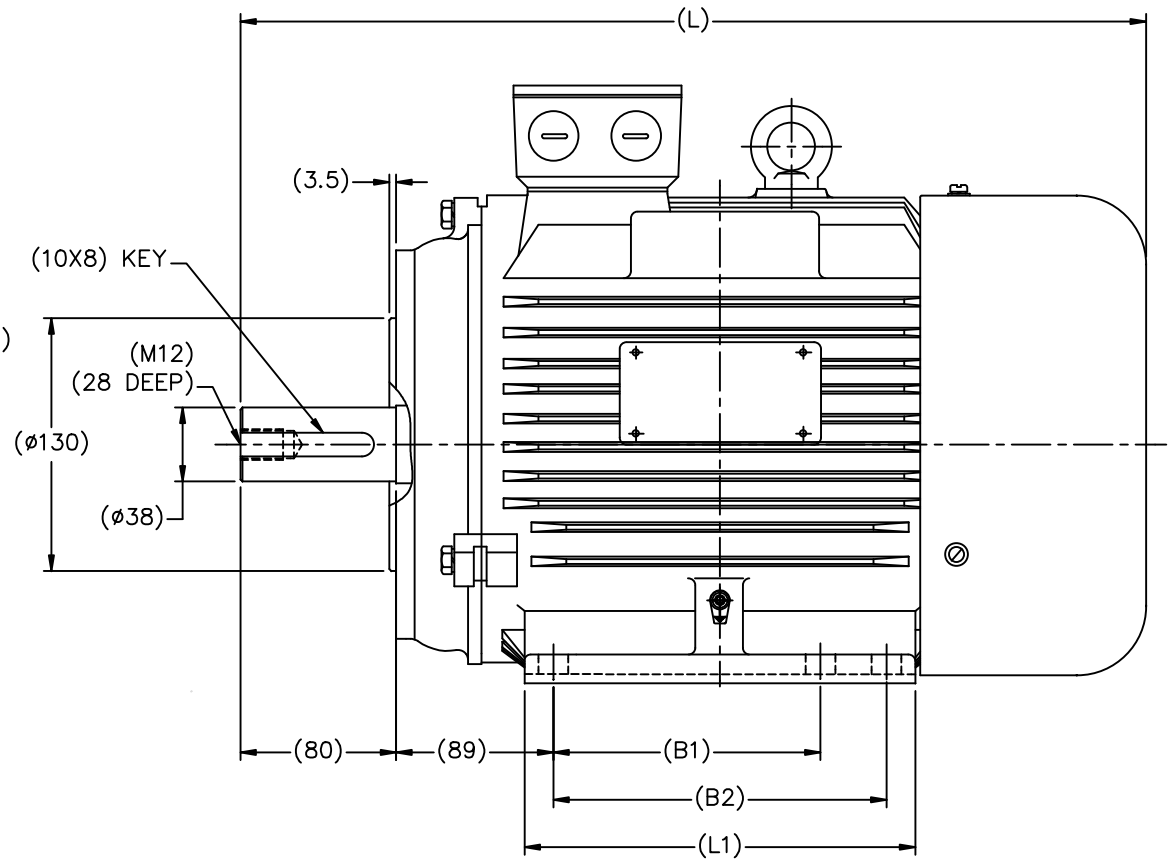
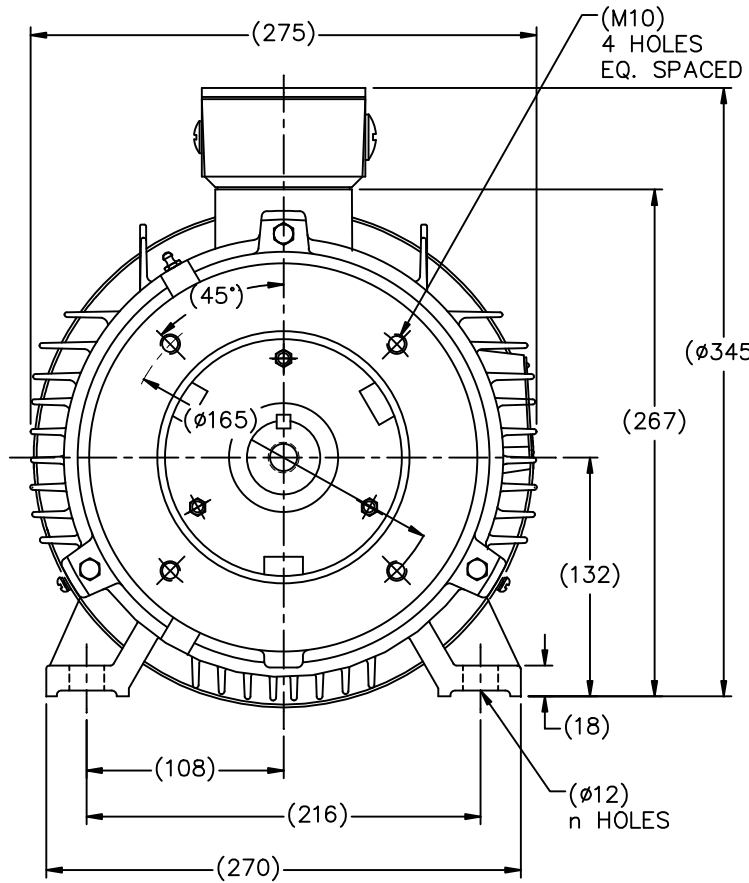


Nameplate Specifications

Phase	3	Output HP	7.50 & 5 Hp
Output KW	5.6 & 3.7 kW	Voltage	230/460 & 190/380 V
Speed	1185 & 988 rpm	Service Factor	1.15 & 1.15
Frame	132M	Enclosure	Totally Enclosed Fan Cooled
Thermal Protection	No Protection	Efficiency	91 & 90.2 %
Ambient Temperature	40 °C	Frequency	60 & 50 Hz
Current	21.6/10.8 & 18.4/9.2 A	Power Factor	72
Duty	Continuous	Insulation Class	F
Design Code	B	KVA Code	H
Drive End Bearing Size	6308	Opp Drive End Bearing Size	6306
UL	Recognized	CSA	Y
CE	Y	IP Code	55
Number of Speeds	1		

Technical Specifications

Electrical Type	Squirrel Cage Inverter Rated	Starting Method	Wye Start Delta Run Or Inverter
Poles	6	Rotation	Reversible
Resistance Main	0 Ohms	Mounting	Rigid Base
Motor Orientation	Horizontal	Drive End Bearing	Ball
Opp Drive End Bearing	Ball	Frame Material	Cast Iron
Shaft Type	IEC	Overall Length	19.76 in
Shaft Diameter	1.500 in	Shaft Extension	3.15 in
Assembly/Box Mounting	F3	Inverter Load	CONSTANT 10:1
Outline Drawing	SS622260	Connection Drawing	004172.01



FRAME	CAT.NO	B1	B2	L1	L	n
DF132SC1-2R	193367.60	140	/	186	464	4
DF132SC1-4R	193368.60	140	/	186	464	4
DF132SMC-2R	193370.60	140	178	224	502	6
DF132SMC-4R	193371.60	140	178	224	502	6
DF132MC1-6R	193366.60	178	/	224	502	4
DF132MC2-6R	193369.60	178	/	224	502	4

(MAY NOT BE DRAWN TO SCALE)

(DIMENSIONS ARE IN MILLIMETERS)

NO.		REVISION	BY & DATE	CHK	ANG	±7'30"	FINISH			DRAWN HLB 12-07-2010
RFP		12-22-2010	CAD FILE	SS622260	SIZE	DRAWING NO.	PAGE	OF	REV.	CHK DJK 12-17-2010
DIST						B	SS622260			APPD SB 12-18-2010
										SCALE 1=18
										REF
										FMF HEBEI
										PREV

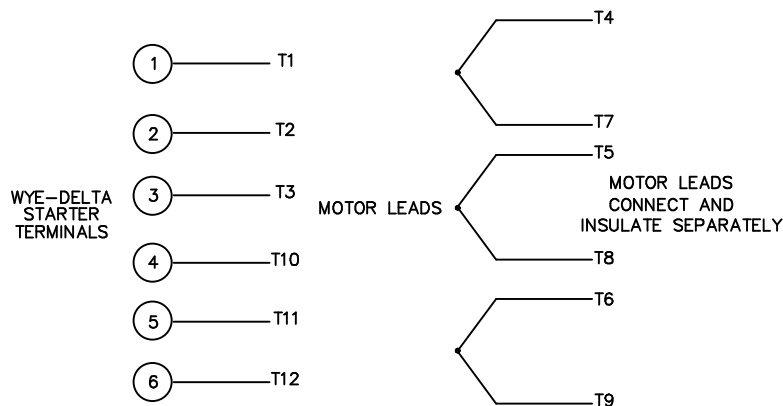
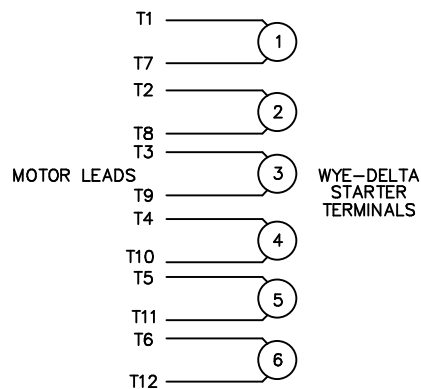
TOLERANCES UNLESS SPECIFIED
 DEC. METRIC
 .X ±2.5
 .XX ±.76
 .XXX ±.127
 .XXXX ±.0127
 MAT'L
 TITLE OUTLINE
 DF132SC,MC-2,4,6R

THIS DRAWING IN DESIGN AND DETAIL IS OUR PROPERTY AND MUST NOT BE USED EXCEPT IN CONNECTION WITH OUR WORK ALL RIGHTS OF DESIGN AND INVENTION ARE RESERVED
 THIS IS AN ELECTRONICALLY GENERATED DOCUMENT - DO NOT SCALE THIS PRINT

WYE - DELTA STARTING USEABLE ON 2,4 AND 6 POLE MOTORS.

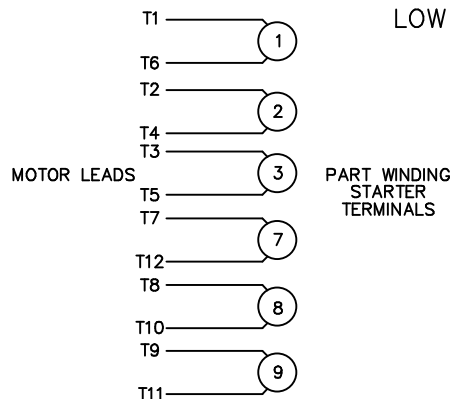
LOW VOLTAGE CONNECTION

HIGH VOLTAGE CONNECTION



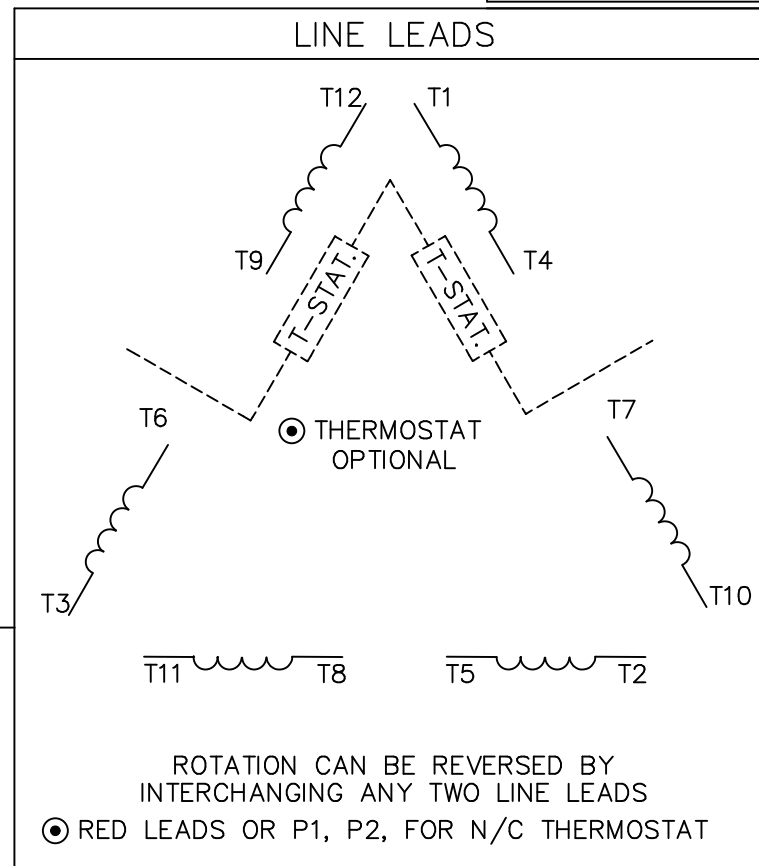
REFER TO THE WYE-DELTA STARTER CONNECTION INSTRUCTIONS FOR PROPER CONNECTION OF POWER LINES TO STARTER.

PART WINDING START USABLE ON 4 & 6 POLE MOTORS
LOW VOLTAGE CONNECTION ONLY



REFER TO THE PART WINDING STARTER INSTRUCTIONS FOR PROPER CONNECTION OF POWER LINES TO STARTER.

REFER TO THE CUTLER - HAMMER OR EQUIV. FOR PROPER SELECTION OF OVERLOAD HEATER COILS.



ACROSS THE LINE START & RUN				
	LINE 1	LINE 2	LINE 3	JOIN & INSULATE SEPARATELY
HIGH VOLT	T1, T12	T2, T10	T3, T11	(T4, T7) (T5, T8) (T6, T9)
LOW VOLT	T1, T6 T7, T12	T2, T4 T8, T10	T3, T5 T9, T11	

NO.	REVISION	BY & DATE	CHK	TOLERANCES UNLESS SPECIFIED		FINISH
				DEC.	INCHES	
03	REV'D LOW VOLTAGE CONN. LEADS PER ELEC.	BJB 06/07/00		.X	±.1	
02	ADDED T-STAT. NOTES PER ELECTRICAL	KMM 06/02/98		.XXX	±.005	
01	REDRAWN TO CAD	DBT 06/02/97		.XXXX	±.0005	
				ANG	±1/2°	



ELECTRIC MOTORS
GEARMOTORS
AND DRIVES

DRAWN	WLW 09/08/77
CHK	RPB 09/12/77
APPD	JCW 09/12/77
SCALE	1=1
REF	
FMF	
PREV	

TITLE	DELTA - WYE CONNECTION DIAGRAM
CAD FILE	00417201
SIZE	A
DRAWING NO.	004172-01
REV.	03



CERTIFICATION DATA SHEET

1051 CHEYENNE AVE.
GRAFTON, WI 53024
PH. 262-377-8810

CATALOG #: 193369.60

CONN. DIAGRAM: 004172.01

OUTLINE: SS622260

MOUNTING: F3

WINDING #: T10706011 3

TYPICAL MOTOR PERFORMANCE DATA

HP	kW	SYNC. RPM	F.L. RPM	FRAME	ENCLOSURE	KVA CODE	DESIGN
7 1/2&5	5.60&3.70	1200	1185&988	132M	TEFC	H	B

PH	Hz	VOLTS	AMPS	START TYPE	DUTY	INSL	S.F.	AMB°C
3	60/50	230/460&190/380	21.6/10.8&18.4/9.2	Y START D RUN OR INV	CONTINUOUS	F5	1.15/1.15	40

FULL LOAD EFF:	91&90.2	3/4 LOAD EFF:	91	1/2 LOAD EFF:	89.5	GTD. EFF	90.2	ELEC. TYPE	SQ CAGE INV RATED
FULL LOAD PF:	72&68	3/4 LOAD PF:	65	1/2 LOAD PF:	52				

F.L. TORQUE	LOCKED ROTOR AMPS	L,R. TORQUE	B,D. TORQUE	F.L. RISE°C
33.2 LB-FT	149 / 74.5	65 LB-FT 195 %	108 LB-FT 325 %	40

SOUND PRESSURE @ 3 FT.	SOUND POWER	ROTOR WK^2	MAX. WK^2	SAFE STALL TIME	STARTS / HOUR	APPROX. MOTOR WGT
60 dBA	70 dBA	- LB-FT^2	- LB-FT^2	- SEC.	-	240 LBS.

*** SUPPLEMENTAL INFORMATION ***

DE BRACKET TYPE	ODE BRACKET TYPE	MOUNT TYPE	ORIENTATION	SEVERE DUTY	HAZARDOUS LOCATION	DRIP COVER	SCREENS	PAINT
FT-FLANGE-165	STANDARD	RIGID	HORIZONTAL	PREMIUM SEVERE DUTY	NONE	FALSE	NONE	BLUE (ENAMEL)

BEARINGS		GREASE	SHAFT TYPE	SPECIAL DE	SPECIAL ODE	SHAFT MATERIAL	FRAME MATERIAL
DE	ODE						
BALL	BALL	POLYREX EM	STANDARD IEC	NONE	NONE	AISI 1045 (C-240)	CAST IRON
6308	6306						

THERMO-PROTECTORS				THERMISTORS	CONTROL	SPACE HEATERS
THERMOSTATS	PROTECTORS	WDG RTDs	BRG RTDs			
NONE	NOT	NONE	NONE	NONE	FALSE	NONE VOLTS

*
N
O
T
E

INVERTER TORQUE: CONSTANT 10:1
INV. HP SPEED RANGE: NONE
ENCODER: NONE
NONE NONE
NONE NONE PPR
BRAKE: NONE NONE
NONE P/N NONE
NONE NONE
NONE FT-LB NONE V NO BRAKE Hz

Data Sheet

Date: 1/22/2018

193369.60



Data @ 460 V

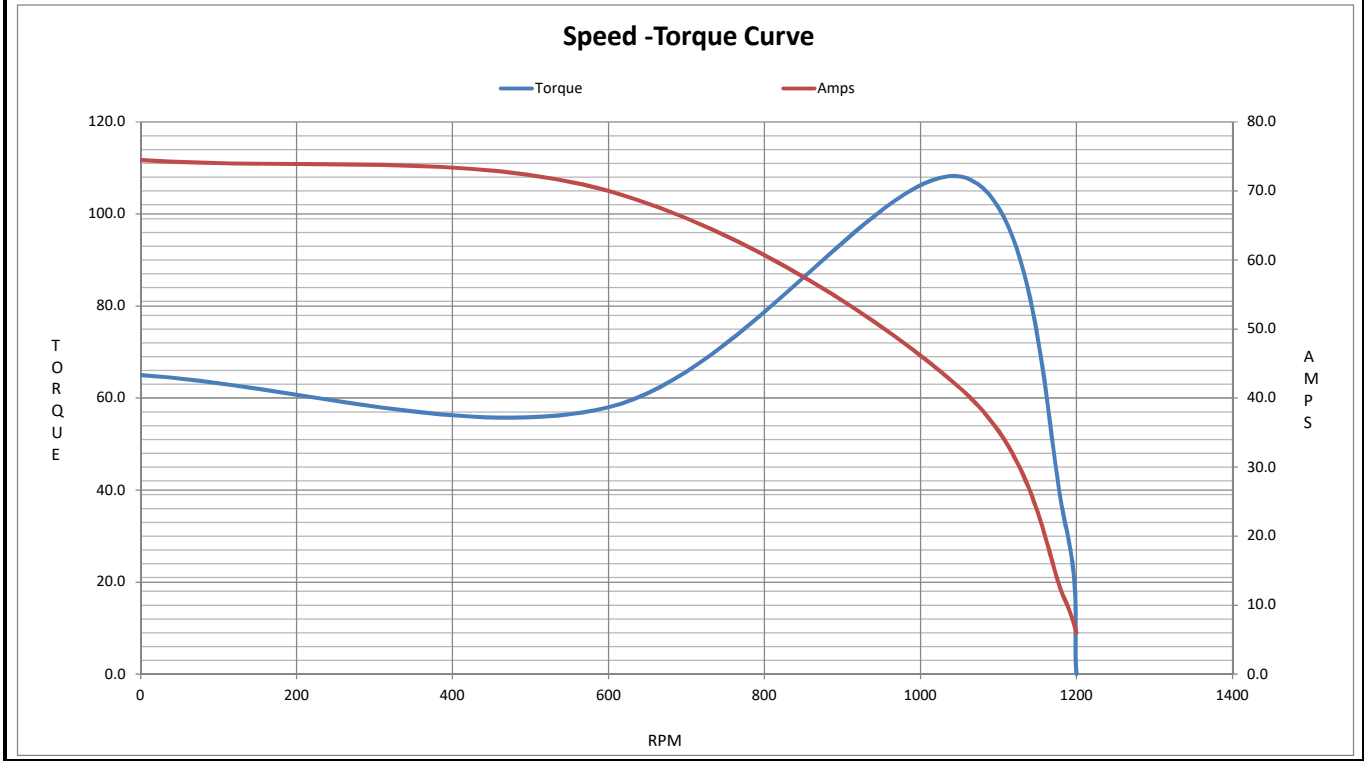
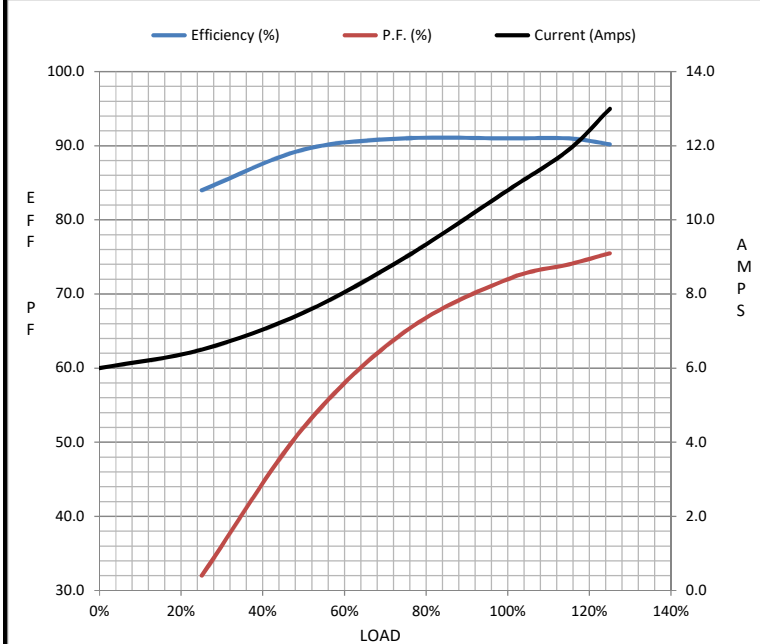
Motor Load Data

Load	0%	25%	50%	75%	100%	115%	125%	LR
Current (Amps)	6.0	6.5	7.5	9.0	10.8	11.9	13.0	74.5
Torque (ft-lb)	0.00	8.2	16.5	25.0	33.2	38.5	41.8	65.0
RPM	1200	1198	1192	1188	1185	1,182	1180	0
Efficiency (%)		84.0	89.5	91.0	91.0	91.0	90.2	
P.F. (%)	5.0	32.0	52.0	65.0	72.0	74.0	75.5	42.0

Motor Speed Data

	LR	Pull-Up	BD	Rated	Idle
Speed (RPM)	0	600	1055	1185	1200
Current (Amps)	74.5	70.0	41.0	10.8	6.0
Torque (ft-lb)	65.0	58.0	108	33.2	0.00

Information Block				
HP	7.5			
Sync. RPM	1200			
Frame	132			
Enclosure	TEFC			
Construction	TFC			
Voltage	230/460#190/380 V			
Frequency	60 Hz			
Design	B			
LR Code letter	H			
Service Factor	1.15			
Temp Rise @ FL	40 °C			
Duty	CONT			
Ambient	40 °C			
Elevation	1,000 feet			
Rotor/Shaft wk ²	0.00 Lb-Ft ²			
Ref Wdg	T10706011 NONE			
Sound Pressure @ 1M	60 dBA			
VFD Rating	CONSTANT 10:1			
Outline Dwg	SS622260			
Conn. Diag	004172.01			
Additional Specifications:				
0				
0				
EQUIV CKT (OHMS / PHASE)				
R1	R2	X1	X2	Xm
0.0000	0.0000	0.0000	0.0000	0.0000



EC Declaration of Conformity

The undersigned representing
the manufacturer:

Regal Beloit America
100 East Randolph St.
Wausau, WI 54401

and the authorized representative
established within the Community:

Marathon Electric UK
6F Thistleton Road Ind. Estate
Market Overton
Oakham, Rutland LE15 7PP UK

are committed to providing customers with products that comply with applicable regulations and international protocols to which they are subject, including the requirements of the European Parliament Directive on the Harmonization of the laws relating to electrical equipment designed for use within certain voltage limits (2014/35/EU).

Regal Beloit America declares that the following product(s), to which this declaration relates, are in conformity with the relevant sections of the EC standards listed below.

This statement supersedes any statements previously issued pertaining to the product(s) listed below and is subject to change without notice.

Model No : 193369.60

(Model No. may contain prefix and/or suffix characters)

Catalog No : 193369.60

Rework No : N/A

Directives :

Low Voltage Directive 2014/35/EU

Harmonized Standards Used :

EN 60034-1: 2010 (IEC 60034-1: 2010)

EN 60034-5: 2001/A1:2007 (IEC 60034-5: 2000/A1:2006)

Authorized Representative:



Michael A. Logsdon
Vice President, Technology

Authorized Representative in the Community:



Julian Clark
Marketing Engineer

Created on 09/01/2022

CE 22