

PRODUCT INFORMATION PACKET



Model No: 193368.60

Catalog No: 193368.60

LEESON® PASSPORT 7 1/2HP-5.5KW..1760RPM.DF132SC.TEFC.230/460V.3PH.60HZ.CONT.40C.1.15SF.B3/B14.....
.....H352



Regal and Leeson are trademarks of Regal Rexnord Corporation or one of its affiliated companies.

©2023 Regal Rexnord Corporation, All Rights Reserved. MC017097E



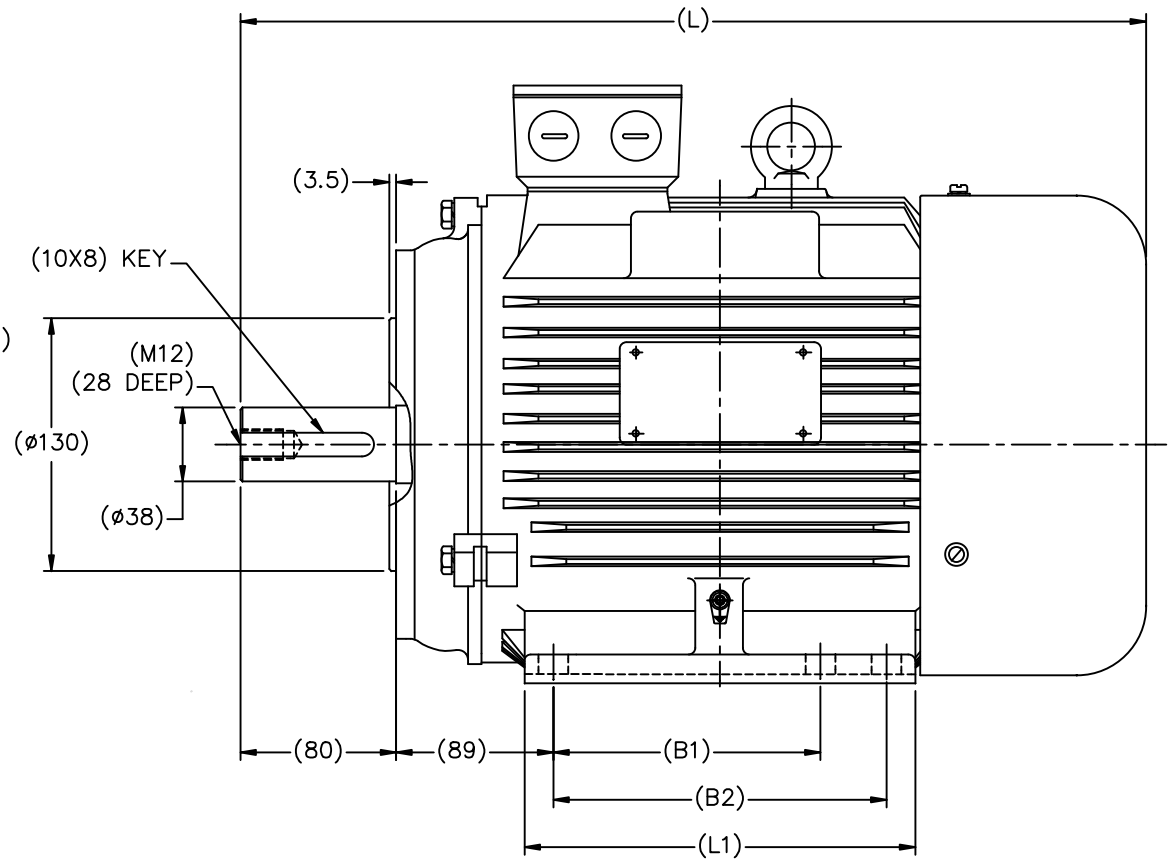
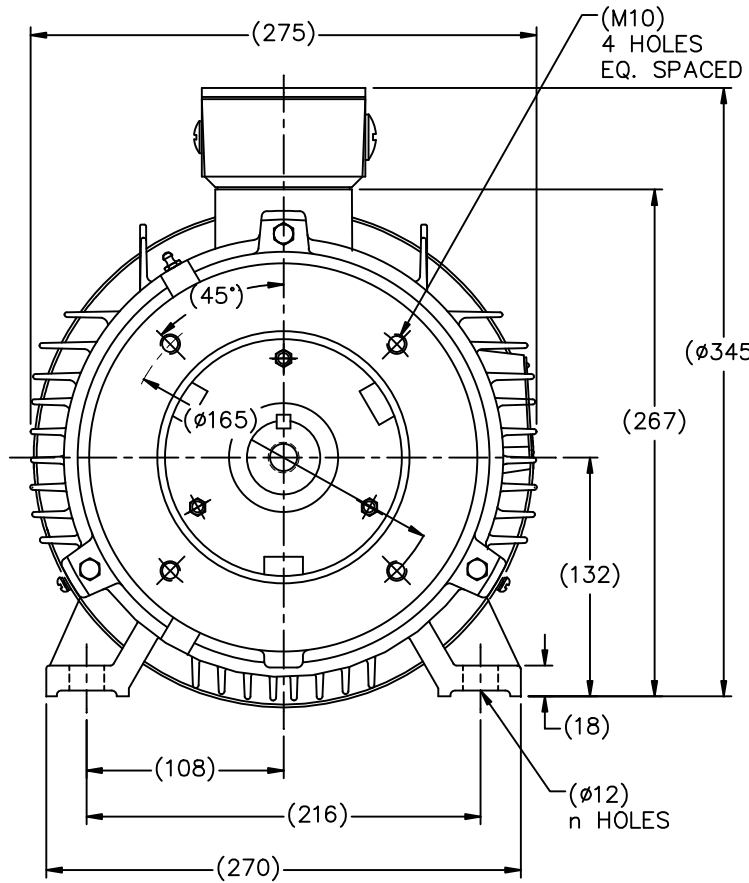


Nameplate Specifications

Phase	3	Output HP	7.50 & 5.50 Hp
Output KW	5.6 & 4.1 kW	Voltage	230/460 & 200/400 V
Speed	1770 & 1480 rpm	Service Factor	1.15 & 1.15
Frame	132	Enclosure	Totally Enclosed Fan Cooled
Thermal Protection	No Protection	Efficiency	92.4 & 92.4 %
Ambient Temperature	40 °C	Frequency	60 & 50 Hz
Current	18.4/9.2 & 16.8/8.4 A	Power Factor	82.5
Duty	Continuous	Insulation Class	F
Design Code	B	KVA Code	J
Drive End Bearing Size	6308	Opp Drive End Bearing Size	6306
UL	Recognized	CSA	Y
CE	Y	IP Code	55
Number of Speeds	1		

Technical Specifications

Electrical Type	Squirrel Cage Inverter Rated	Starting Method	Wye Start Delta Run Or Inverter
Poles	4	Rotation	Reversible
Resistance Main	.399 Ohms	Mounting	Rigid Base
Motor Orientation	Horizontal	Drive End Bearing	Ball
Opp Drive End Bearing	Ball	Frame Material	Cast Iron
Shaft Type	IEC	Overall Length	18.27 in
Shaft Diameter	1.500 in	Shaft Extension	3.15 in
Assembly/Box Mounting	F3	Inverter Load	CONSTANT 10:1
Outline Drawing	B-SS622260	Connection Drawing	4172.03



FRAME	CAT.NO	B1	B2	L1	L	n
DF132SC1-2R	193367.60	140	/	186	464	4
DF132SC1-4R	193368.60	140	/	186	464	4
DF132SMC-2R	193370.60	140	178	224	502	6
DF132SMC-4R	193371.60	140	178	224	502	6
DF132MC1-6R	193366.60	178	/	224	502	4
DF132MC2-6R	193369.60	178	/	224	502	4

(MAY NOT BE DRAWN TO SCALE)

(DIMENSIONS ARE IN MILLIMETERS)

NO.		REVISION	BY & DATE	CHK	ANG	±7'30"	FINISH			DRAWN HLB 12-07-2010
RFP		12-22-2010	CAD FILE	SS622260	SIZE	DRAWING NO.	PAGE	OF	REV.	CHK DJK 12-17-2010
DIST						B	SS622260			APPD SB 12-18-2010
						TITLE		SCALE		1=18
						DF132SC,MC-2,4,6R		REF		
						MAT'L		FMF		HEBEI
								PREV		
THIS DRAWING IN DESIGN AND DETAIL IS OUR PROPERTY AND MUST NOT BE USED EXCEPT IN CONNECTION WITH OUR WORK ALL RIGHTS OF DESIGN AND INVENTION ARE RESERVED THIS IS AN ELECTRONICALLY GENERATED DOCUMENT - DO NOT SCALE THIS PRINT										

Data Sheet

Date: 2/1/2018

193368.60



Data @ 460 V

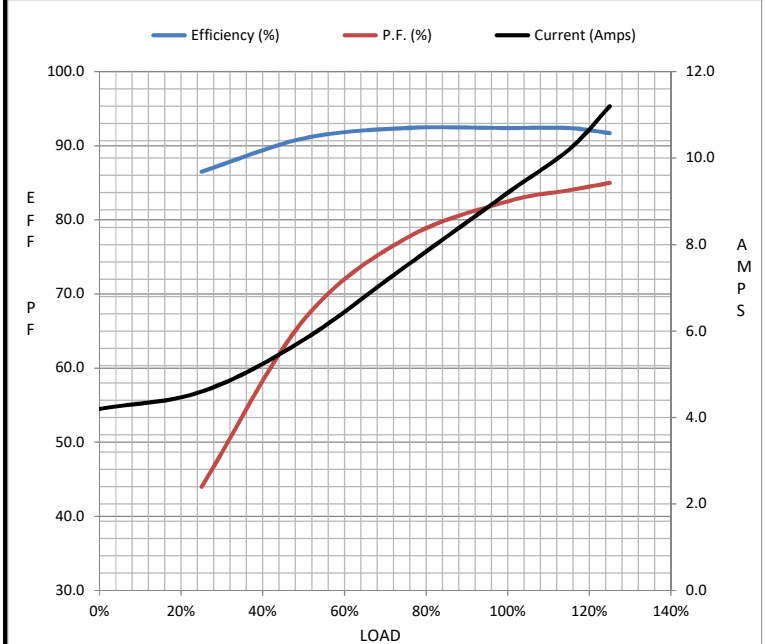
Motor Load Data

Load	0%	25%	50%	75%	100%	115%	125%	LR
Current (Amps)	4.2	4.6	5.8	7.5	9.2	10.2	11.2	71.5
Torque (ft-lb)	0.00	5.5	11.0	16.8	22.2	25.5	27.8	47.0
RPM	1800	1795	1788	1778	1770	1.765	1760	0
Efficiency (%)		86.5	91.0	92.4	92.4	92.4	91.7	
P.F. (%)	5.5	44.0	66.5	77.5	82.5	84.0	85.0	40.0

Motor Speed Data

	LR	Pull-Up	BD	Rated	Idle
Speed (RPM)	0	900	1585	1770	1800
Current (Amps)	71.5	65.0	42.5	9.2	4.2
Torque (ft-lb)	47.0	40.0	80.0	22.2	0.00

Information Block				
HP	7.5			
Sync. RPM	1800			
Frame	132			
Enclosure	TEFC			
Construction	TFC			
Voltage	230/460#200/400 V			
Frequency	60 Hz			
Design	A			
LR Code letter	J			
Service Factor	1.15			
Temp Rise @ FL	30 °C			
Duty	CONT			
Ambient	40 °C			
Elevation	1,000 feet			
Rotor/Shaft wk ²	0.00 Lb-Ft ²			
Ref Wdg	T10704028 NONE			
Sound Pressure @ 1M	47 dBA			
VFD Rating	CONSTANT 10:1			
Outline Dwg	B-SS622260			
Conn. Diag	4172.03			
Additional Specifications:				
0				
0				
EQUIV CKT (OHMS / PHASE)				
R1	R2	X1	X2	Xm
0.0000	0.0000	0.0000	0.0000	0.0000



Speed - Torque Curve

