

PRODUCT INFORMATION PACKET



Model No: 193366.60

Catalog No: 193366.60

LEESON® PASSPORT 5.50 HP General Purpose, 3 phase, 1200 RPM, 230/460 V, 132M Frame, TEFC



Regal and Leeson are trademarks of Regal Rexnord Corporation or one of its affiliated companies.

©2023 Regal Rexnord Corporation, All Rights Reserved. MC017097E



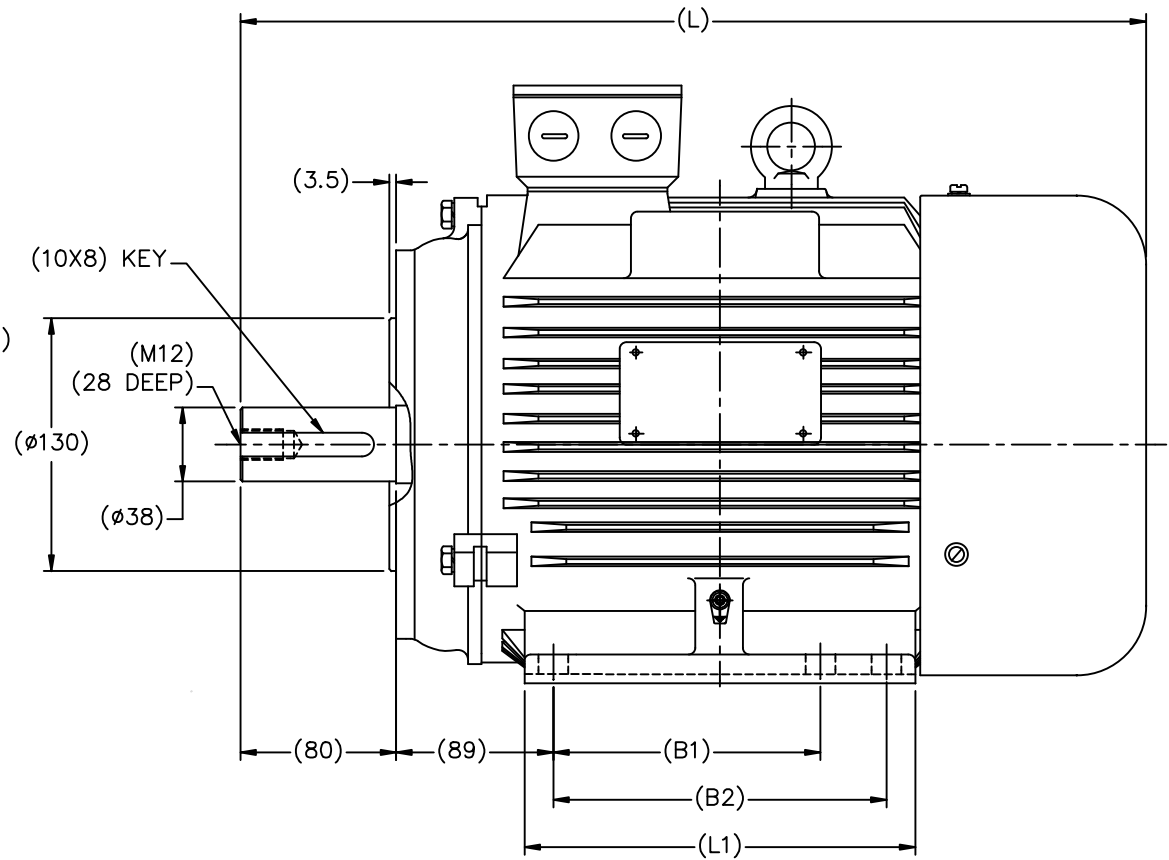
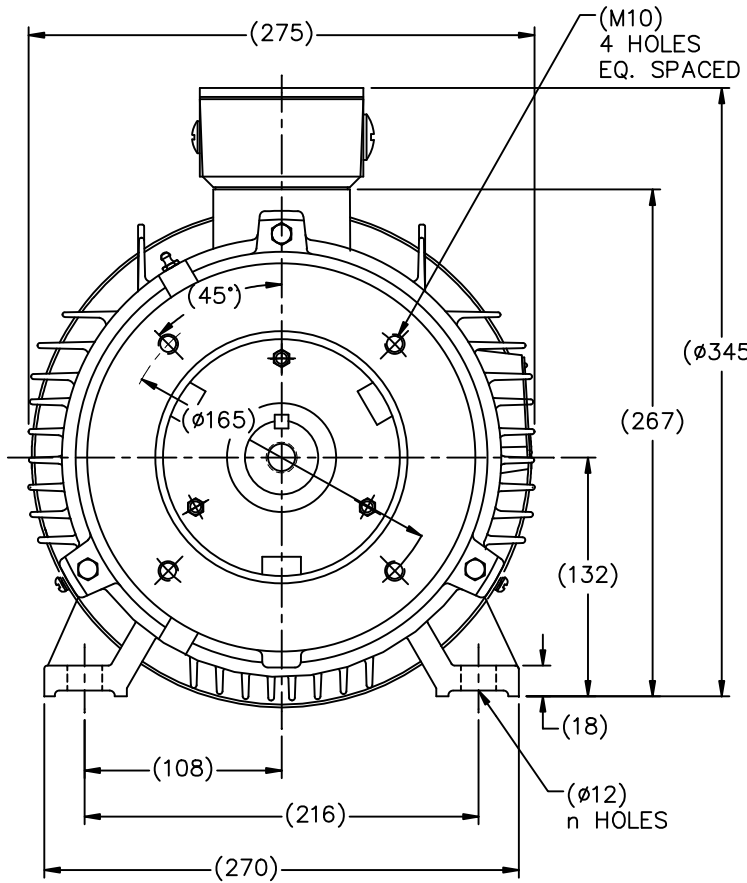


Nameplate Specifications

Phase	3	Output HP	5.50 & 4 Hp
Output KW	4.1 & 3.0 kW	Voltage	230/460 & 200/400 V
Speed	1180 & 985 rpm	Service Factor	1.15 & 1.15
Frame	132M	Enclosure	Totally Enclosed Fan Cooled
Thermal Protection	Thermostat	Efficiency	89.5 & 88.5 %
Ambient Temperature	40 °C	Frequency	60 & 50 Hz
Current	17/8.5 & 15.6/7.8 A	Power Factor	69
Duty	Continuous	Insulation Class	F
Design Code	B	KVA Code	J
Drive End Bearing Size	6308	Opp Drive End Bearing Size	6306
UL	Recognized	CSA	Y
CE	Y	IP Code	55
Number of Speeds	1		

Technical Specifications

Electrical Type	Squirrel Cage Inverter Rated	Starting Method	Wye Start Delta Run Or Inverter
Poles	6	Rotation	Reversible
Resistance Main	0 Ohms	Mounting	Rigid Base
Motor Orientation	Horizontal	Drive End Bearing	Ball
Opp Drive End Bearing	Ball	Frame Material	Cast Iron
Shaft Type	IEC	Overall Length	19.76 in
Shaft Diameter	1.500 in	Shaft Extension	3.15 in
Assembly/Box Mounting	F3	Inverter Load	CONSTANT 10:1
Connection Drawing	4172.03	Outline Drawing	SS622260



FRAME	CAT.NO	B1	B2	L1	L	n
DF132SC1-2R	193367.60	140	/	186	464	4
DF132SC1-4R	193368.60	140	/	186	464	4
DF132SMC-2R	193370.60	140	178	224	502	6
DF132SMC-4R	193371.60	140	178	224	502	6
DF132MC1-6R	193366.60	178	/	224	502	4
DF132MC2-6R	193369.60	178	/	224	502	4

(MAY NOT BE DRAWN TO SCALE)

(DIMENSIONS ARE IN MILLIMETERS)

NO.		REVISION	BY & DATE	CHK	ANG	±7'30"	FINISH			DRAWN HLB 12-07-2010
RFP		12-22-2010	CAD FILE	SS622260	SIZE	DRAWING NO.	PAGE	OF	REV.	CHK DJK 12-17-2010
DIST					B	SS622260				APPD SB 12-18-2010
										SCALE 1=18
										REF
										FMF HEBEI
										PREV

TOLERANCES UNLESS SPECIFIED
 DEC. METRIC
 .X ±2.5
 .XX ±.76
 .XXX ±.127
 .XXXX ±.0127
 MAT'L
 TITLE OUTLINE
 DF132SC,MC-2,4,6R

THIS DRAWING IN DESIGN AND DETAIL IS OUR PROPERTY AND MUST NOT BE USED EXCEPT IN CONNECTION WITH OUR WORK ALL RIGHTS OF DESIGN AND INVENTION ARE RESERVED
 THIS IS AN ELECTRONICALLY GENERATED DOCUMENT - DO NOT SCALE THIS PRINT

Data Sheet

Date: 1/30/2018

193366.60



Data @ 460 V

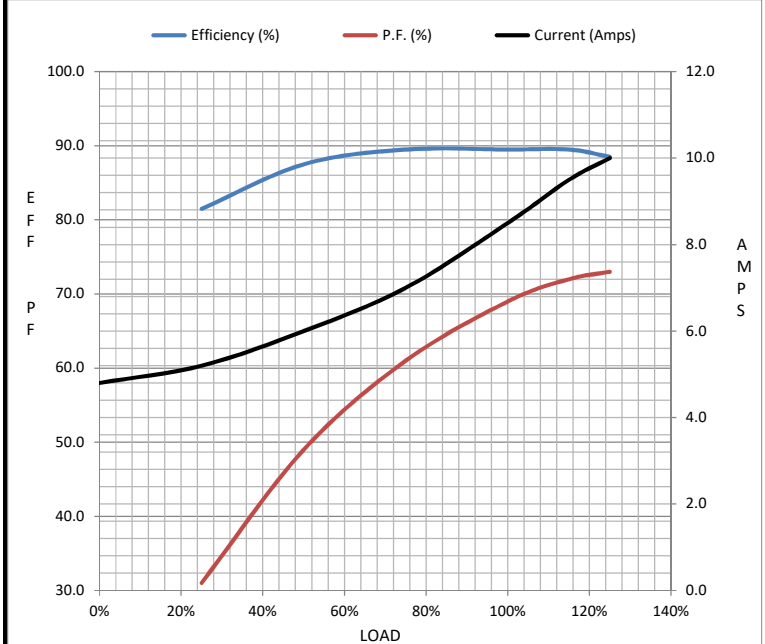
Motor Load Data

Load	0%	25%	50%	75%	100%	115%	125%	LR
Current (Amps)	4.8	5.2	6.0	7.0	8.5	9.5	10.0	48.5
Torque (ft-lb)	0.00	6.0	12.0	18.3	24.5	28.3	30.9	42.5
RPM	1200	1195	1190	1185	1180	1,175	1170	0
Efficiency (%)		81.5	87.5	89.5	89.5	89.5	88.5	
P.F. (%)	5.5	31.0	49.0	61.0	69.0	72.0	73.0	41.0

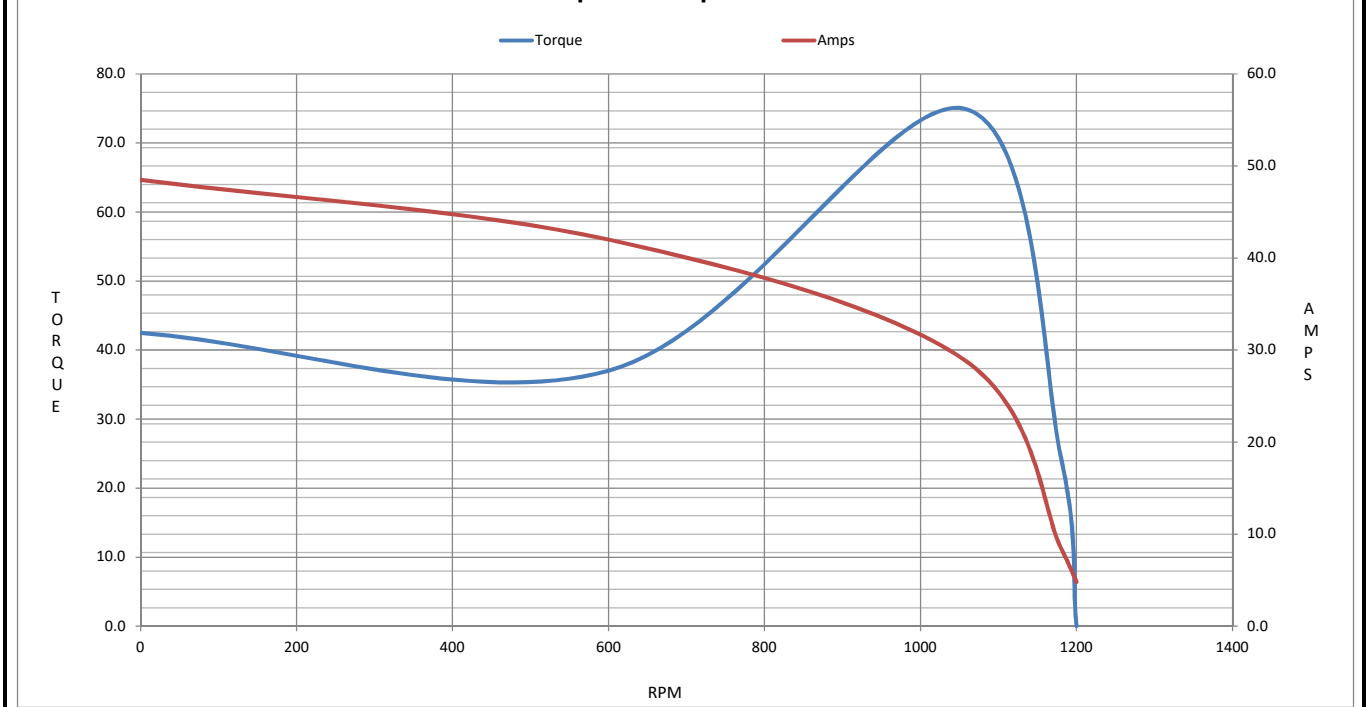
Motor Speed Data

	LR	Pull-Up	BD	Rated	Idle
Speed (RPM)	0	600	1055	1180	1200
Current (Amps)	48.5	42.0	29.0	8.5	4.8
Torque (ft-lb)	42.5	37.0	75.0	24.5	0.00

Information Block				
HP	5.5			
Sync. RPM	1200			
Frame	132			
Enclosure	TEFC			
Construction	TFC			
Voltage	230/460#200/400 V			
Frequency	60 Hz			
Design	B			
LR Code letter	J			
Service Factor	1.15			
Temp Rise @ FL	40 °C			
Duty	CONT			
Ambient	40 °C			
Elevation	1,000 feet			
Rotor/Shaft wk ²	0.00 Lb-Ft ²			
Ref Wdg	T10706010 NONE			
Sound Pressure @ 1M	60 dBA			
VFD Rating	CONSTANT 10:1			
Outline Dwg	SS622260			
Conn. Diag	4172.03			
Additional Specifications:				
0				
0				
EQUIV CKT (OHMS / PHASE)				
R1	R2	X1	X2	Xm
0.0000	0.0000	0.0000	0.0000	0.0000



Speed - Torque Curve



EC Declaration of Conformity

The undersigned representing
the manufacturer:

Regal Beloit America
100 East Randolph St.
Wausau, WI 54401

and the authorized representative
established within the Community:

Marathon Electric UK
6F Thistleton Road Ind. Estate
Market Overton
Oakham, Rutland LE15 7PP UK

are committed to providing customers with products that comply with applicable regulations and international protocols to which they are subject, including the requirements of the European Parliament Directive on the Harmonization of the laws relating to electrical equipment designed for use within certain voltage limits (2014/35/EU).

Regal Beloit America declares that the following product(s), to which this declaration relates, are in conformity with the relevant sections of the EC standards listed below.

This statement supersedes any statements previously issued pertaining to the product(s) listed below and is subject to change without notice.

Model No : 193366.60

(Model No. may contain prefix and/or suffix characters)

Catalog No : 193366.60

Rework No : N/A

Directives :

Low Voltage Directive 2014/35/EU

Harmonized Standards Used :

EN 60034-1: 2010 (IEC 60034-1: 2010)

EN 60034-5: 2001/A1:2007 (IEC 60034-5: 2000/A1:2006)

Authorized Representative:



Michael A. Logsdon
Vice President, Technology

Authorized Representative in the Community:



Julian Clark
Marketing Engineer

Created on 09/01/2022

CE 22