

PRODUCT INFORMATION PACKET



Model No: 193364.60

Catalog No: 193364.60

LEESON® PASSPORT 5.50 HP General Purpose, 3 phase, 3600 RPM, 230/460 V, 112M Frame, TEFC



Regal and Leeson are trademarks of Regal Rexnord Corporation or one of its affiliated companies.

©2023 Regal Rexnord Corporation, All Rights Reserved. MC017097E





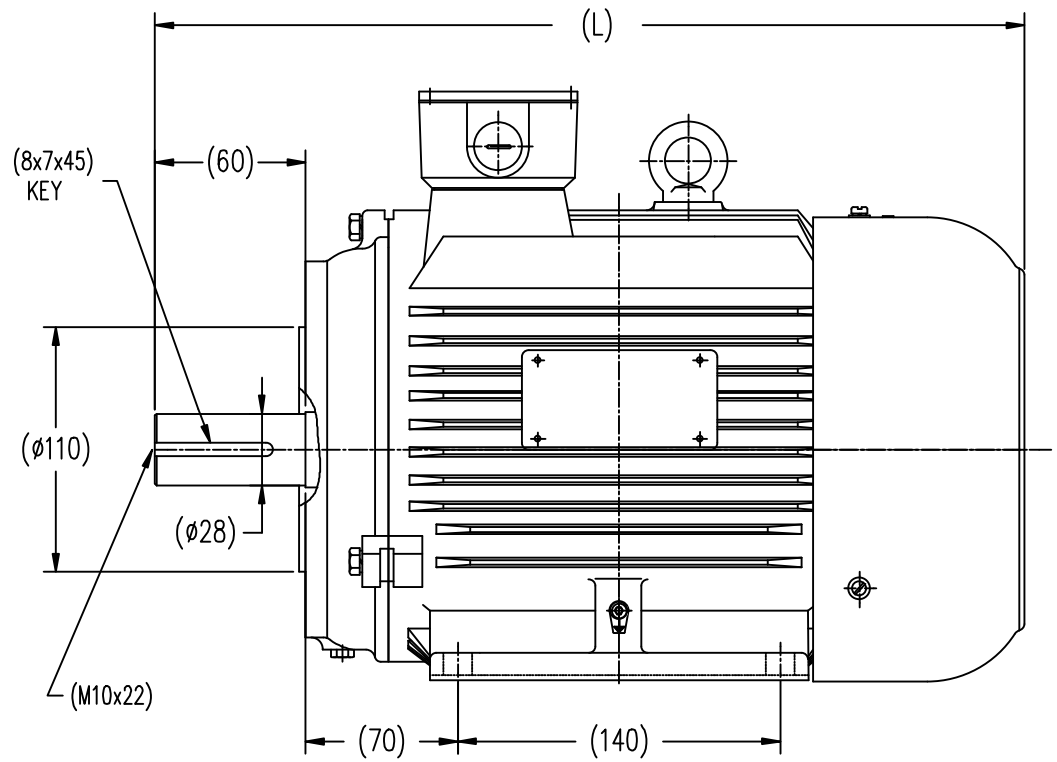
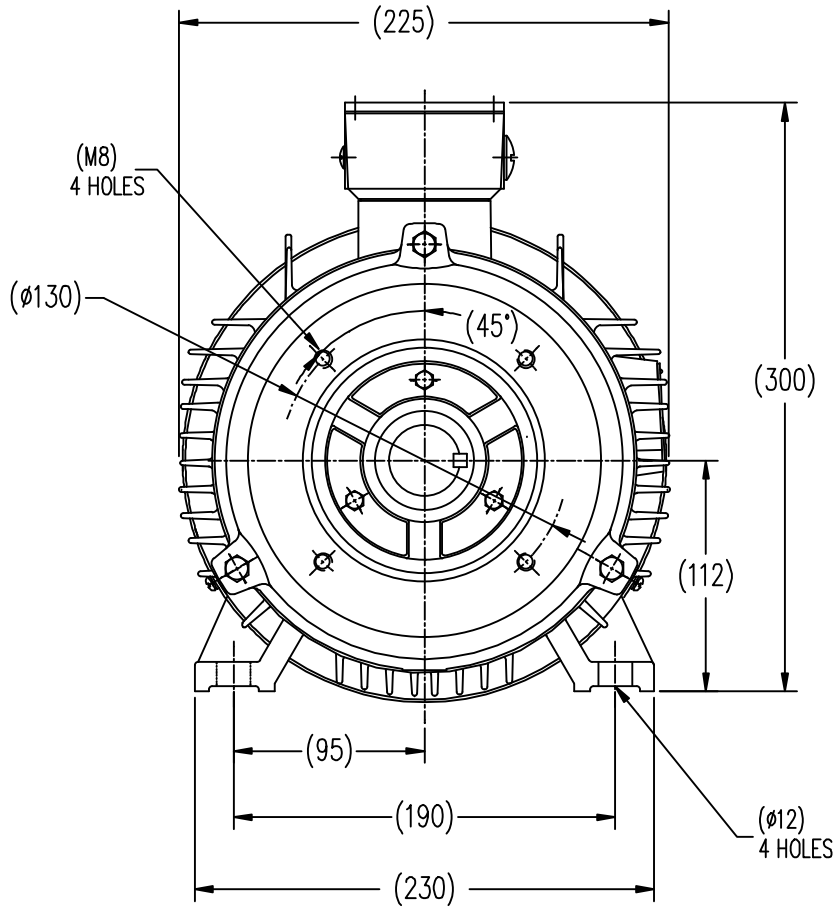
Nameplate Specifications

Phase	3	Output HP	5.50 & 4 Hp
Output KW	4.1 & 3.0 kW	Voltage	230/460 & 200/400 V
Speed	3510 & 2930 rpm	Service Factor	1.15 & 1.15
Frame	112M	Enclosure	Totally Enclosed Fan Cooled
Thermal Protection	No Protection	Efficiency	89.5 & 90.2 %
Ambient Temperature	40 °C	Frequency	60 & 50 Hz
Current	12.6/6.3 & 10.8/5.4 A	Power Factor	91
Duty	Continuous	Insulation Class	F
Design Code	B	KVA Code	J
Drive End Bearing Size	6306	Opp Drive End Bearing Size	6306
UL	Recognized	CSA	Y
CE	Y	IP Code	55
Number of Speeds	1		

Technical Specifications

Electrical Type	Squirrel Cage Inverter Rated	Starting Method	Line Or Inverter
Poles	2	Rotation	Reversible
Mounting	Rigid Base	Motor Orientation	Horizontal
Drive End Bearing	Ball	Opp Drive End Bearing	Ball
Frame Material	Cast Iron	Shaft Type	IEC
Overall Length	16.14 in	Shaft Diameter	1.125 in
Shaft Extension	2.36 in	Assembly/Box Mounting	F3
Connection Drawing	5465.01	Outline Drawing	SS622369

This is an uncontrolled document once printed or downloaded and is subject to change without notice. Date Created:06/21/2023



DRAWING NOT TO SCALE

PART NO.	FRAME	L
193364.60	C20-112MC-2	410
193365.60	C20-112MC-4	
193360.60	C20-112MC1-6	468

TOLERANCES UNLESS SPECIFIED		REGAL-BELOIT CORPORATION		DRAWN MOL 04-12-2012				
DEC.	INCHES	CHK	MOL 04-12-2012	APPD	SB 04-12-2012			
.X	±.1							
.XX	±.03				SCALE 1=5			
.XXX	±.005				REF			
.XXXX	±.0005				FMF			
NO.	REVISION	BY & DATE	CHK	ANG	±1/2	FINISH	PREV	
THIS DRAWING IN DESIGN AND DETAIL IS OUR PROPERTY AND MUST NOT BE USED EXCEPT IN CONNECTION WITH OUR WORK ALL RIGHTS OF DESIGN AND INVENTION ARE RESERVED THIS IS AN ELECTRONICALLY GENERATED DOCUMENT - DO NOT SCALE THIS PRINT			RFP	CAD FILE	SS622369	SIZE	DRAWING NO.	REV.
			DIST			B	SS622369	



CERTIFICATION DATA SHEET

1051 CHEYENNE AVE.
GRAFTON, WI 53024
PH. 262-377-8810

CONN. DIAGRAM: 5465.01

CATALOG #: 193364.60

OUTLINE: SS622369

MOUNTING: F3

WINDING #: T08702012 3

TYPICAL MOTOR PERFORMANCE DATA

HP	kW	SYNC. RPM	F.L. RPM	FRAME	ENCLOSURE	KVA CODE	DESIGN
5 1/2&4	4.10&2.98	3600	3510&2930	112M	TEFC	J	B

PH	Hz	VOLTS	AMPS	START TYPE	DUTY	INSL	S.F.	AMB°C
3	60/50	230/460&200/400	12.6/6.3&10.8/5.4	LINE OR INVERTER	CONTINUOUS	F5	1.15/1.15	40

FULL LOAD EFF:	89.5&90.2	3/4 LOAD EFF:	90.2	1/2 LOAD EFF:	90.2	GTD. EFF		ELEC. TYPE	
FULL LOAD PF:	91&90.5	3/4 LOAD PF:	88.5	1/2 LOAD PF:	81.5	87.5		SQ CAGE INV RATED	

F.L. TORQUE	LOCKED ROTOR AMPS	L.R. TORQUE	B.D. TORQUE	F.L. RISE°C
8.2 LB-FT	101 / 50.5	17.7 LB-FT 215 %	26.4 LB-FT 322 %	64

SOUND PRESSURE @ 3 FT.	SOUND POWER	ROTOR WK^2	MAX. WK^2	SAFE STALL TIME	STARTS / HOUR	APPROX. MOTOR WGT
44.5 dBA	54.5 dBA	0.12 LB-FT^2	- LB-FT^2	15 SEC.	2	110 LBS.

*** SUPPLEMENTAL INFORMATION ***

DE BRACKET TYPE	ODE BRACKET TYPE	MOUNT TYPE	ORIENTATION	SEVERE DUTY	HAZARDOUS LOCATION	DRIP COVER	SCREENS	PAINT
FT-FLANGE-130	STANDARD	RIGID	HORIZONTAL	FALSE	NONE	FALSE	NONE	BLUE (ENAMEL)

BEARINGS		GREASE	SHAFT TYPE	SPECIAL DE	SPECIAL ODE	SHAFT MATERIAL	FRAME MATERIAL
DE	ODE						
BALL	BALL	POLYREX EM	STANDARD IEC	NONE	NONE	AISI 1045 (C-240)	CAST IRON
6306	6306						

THERMO-PROTECTORS				THERMISTORS	CONTROL	SPACE HEATERS
THERMOSTATS	PROTECTORS	WDG RTDs	BRG RTDs			
NONE	NOT	NONE	NONE	NONE	FALSE	NONE VOLTS

*
N
O
T
E
S

INVERTER TORQUE: CONSTANT 10:1
INV. HP SPEED RANGE: NONE
ENCODER: NONE
NONE NONE
NONE NONE PPR
BRAKE: NONE NONE
NONE P/N NONE
NONE NONE
NONE FT-LB NONE V NO BRAKE Hz

Data Sheet

Date: 1/31/2018

193364.60



Data @ **460 V**

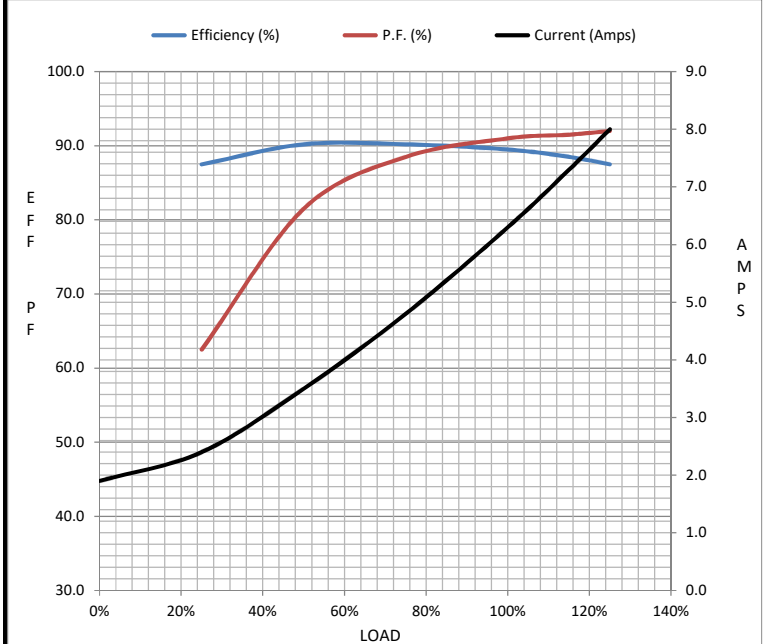
Motor Load Data

Load	0%	25%	50%	75%	100%	115%	125%	LR
Current (Amps)	1.90	2.40	3.5	4.8	6.3	7.3	8.0	50.5
Torque (ft-lb)	0.00	2.00	4.1	6.1	8.2	9.5	10.4	17.7
RPM	3600	3580	3560	3535	3510	3,495	3485	0
Efficiency (%)		87.5	90.2	90.2	89.5	88.5	87.5	
P.F. (%)	8.5	62.5	81.5	88.5	91.0	91.5	92.0	55.5

Motor Speed Data

	LR	Pull-Up	BD	Rated	Idle
Speed (RPM)	0	1800	2930	3510	3600
Current (Amps)	50.5	44.5	29.5	6.3	1.90
Torque (ft-lb)	17.7	19.9	26.4	8.2	0.00

Information Block				
HP	5.5			
Sync. RPM	3600			
Frame	112			
Enclosure	TEFC			
Construction	TFC			
Voltage	230/460#200/400 V			
Frequency	60 Hz			
Design	A			
LR Code letter	J			
Service Factor	1.15			
Temp Rise @ FL	64 °C			
Duty	CONT			
Ambient	40 °C			
Elevation	1,000 feet			
Rotor/Shaft wk ²	0.12 Lb-Ft ²			
Ref Wdg	T08702012 NONE			
Sound Pressure @ 1M	45 dBA			
VFD Rating	CONSTANT 10:1			
Outline Dwg	SS622369			
Conn. Diag	5465.01			
Additional Specifications:				
0				
0				
EQUIV CKT (OHMS / PHASE)				
R1	R2	X1	X2	Xm
0.0000	0.0000	0.0000	0.0000	0.0000



Speed - Torque Curve

