

PRODUCT INFORMATION PACKET



Model No: 193340.60

Catalog No: 193340.60

LEESON® PASSPORT 5.50 HP General Purpose, 3 phase, 1800 RPM, 230/460 V, 112M Frame, TEFC



Regal and Leeson are trademarks of Regal Rexnord Corporation or one of its affiliated companies.

©2023 Regal Rexnord Corporation, All Rights Reserved. MC017097E



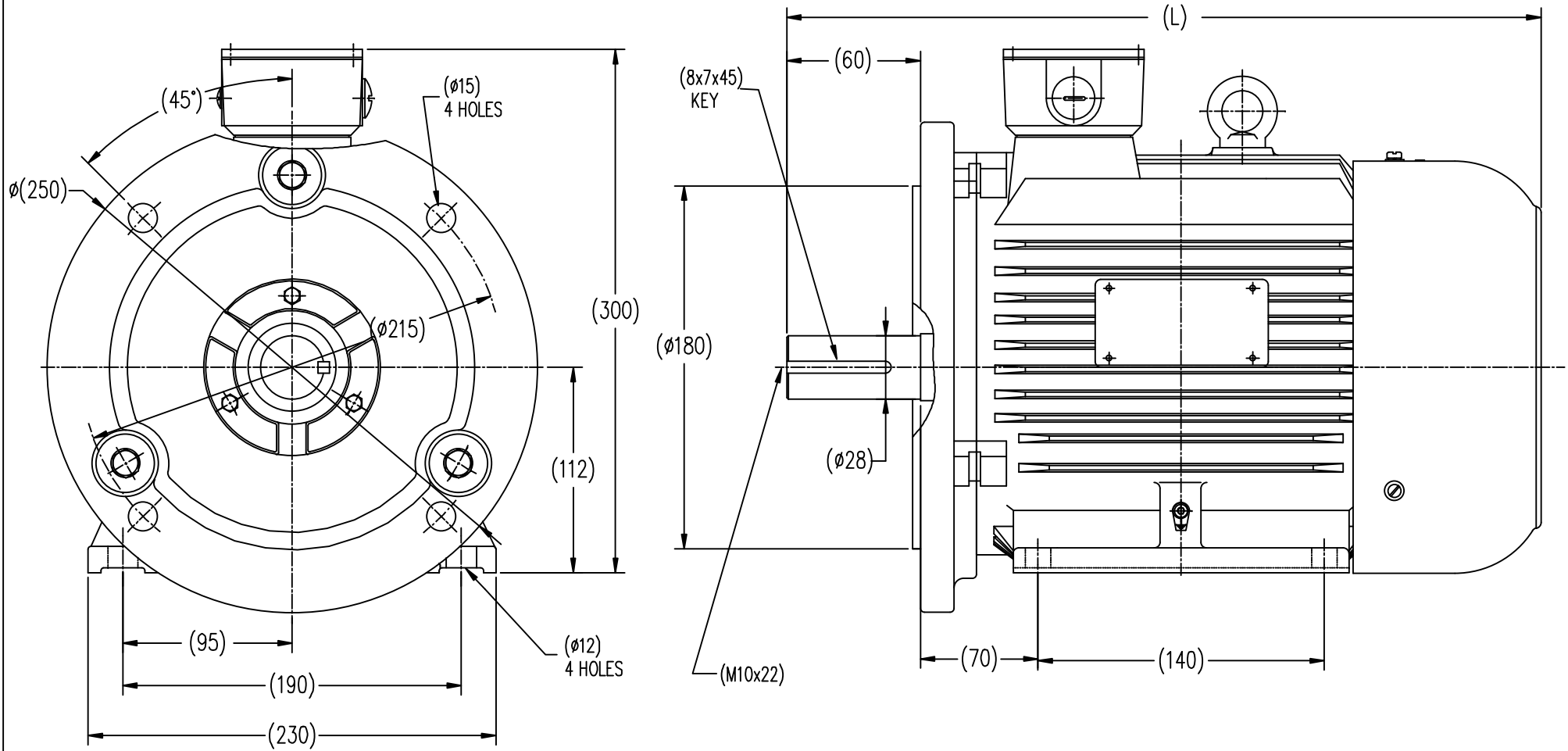


Nameplate Specifications

Phase	3	Output HP	5.50 & 4 Hp
Output KW	4.1 & 3.0 kW	Voltage	230/460 & 200/400 V
Speed	1755 & 1460 rpm	Service Factor	1.15 & 1.15
Frame	112M	Enclosure	Totally Enclosed Fan Cooled
Thermal Protection	No Protection	Efficiency	89.5 & 88.5 %
Ambient Temperature	40 °C	Frequency	60 & 50 Hz
Current	14/7 & 12.6/6.3 A	Power Factor	81
Duty	Continuous	Insulation Class	F
Design Code	B	KVA Code	J
Drive End Bearing Size	6306	Opp Drive End Bearing Size	6306
UL	Recognized	CSA	Y
CE	Y	IP Code	55
Number of Speeds	1		

Technical Specifications

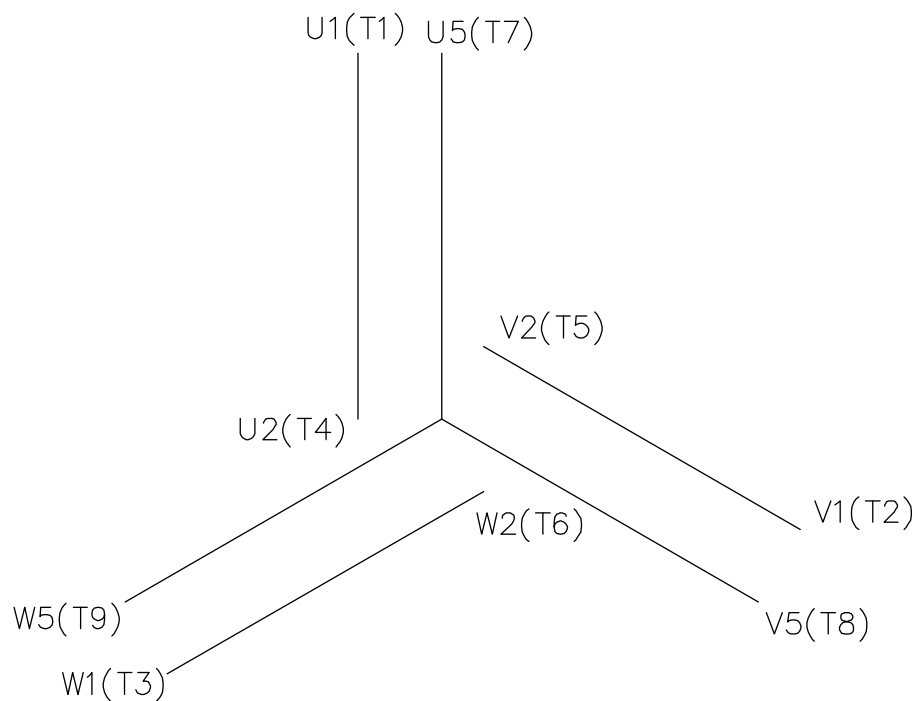
Electrical Type	Squirrel Cage Inverter Rated	Starting Method	Line Or Inverter
Poles	4	Rotation	Reversible
Resistance Main	.754 Ohms	Mounting	Rigid Base
Motor Orientation	Horizontal	Drive End Bearing	Ball
Opp Drive End Bearing	Ball	Frame Material	Cast Iron
Shaft Type	IEC	Overall Length	16.14 in
Shaft Diameter	1.125 in	Shaft Extension	2.36 in
Assembly/Box Mounting	F3		
Connection Drawing	005465.01	Outline Drawing	SS622370



DRAWING NOT TO SCALE

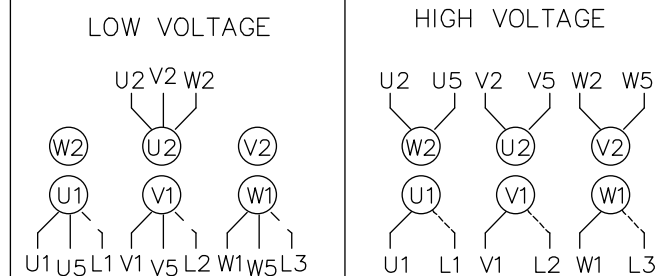
PART NO.	FRAME	L
193339.60	C20-112MD-2	410
193340.60	C20-112MD-4	410
193335.60	C20-112MD1-6	468

TOLERANCES UNLESS SPECIFIED		REGAL-BELOIT CORPORATION	DRAWN MOL 04-12-2012							
DEC.	INCHES		CHK	MOL 04-12-2012						
.X	±.1		APPD	SB 04-12-2012						
.XX	±.03		SCALE	1-5						
.XXX	±.005		REF							
.XXXX	±.0005		FMF							
NO.	REVISION	BY & DATE	CHK	ANG	±1/2	FINISH	PREV			
THIS DRAWING IN DESIGN AND DETAIL IS OUR PROPERTY AND MUST NOT BE USED EXCEPT IN CONNECTION WITH OUR WORK ALL RIGHTS OF DESIGN AND INVENTION ARE RESERVED THIS IS AN ELECTRONICALLY GENERATED DOCUMENT - DO NOT SCALE THIS PRINT		RFP	CAD FILE	SS622370	SIZE	B	DRAWING NO.	SS622370	REV.	
		DIST								



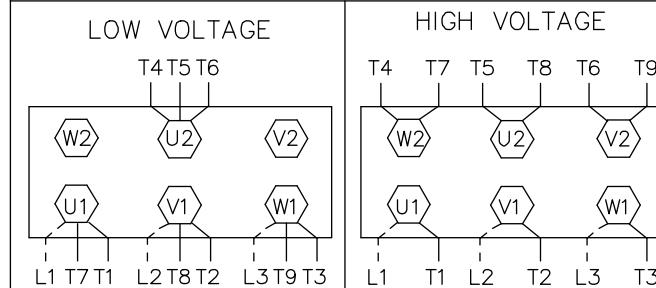
REF. DECAL (IEC) 080644
REF. DECAL (NEMA) 080446

IEC MARKINGS



LINE VOLTAGE	L1	L2	L3	JOIN		
TERMINAL	U1	V1	W1	W2	U2	V2
LOW	U1,U5	V1,V5	W1,W5	---	U2,V2,W2	---
HIGH	U1	V1	W1	U2,U5	V2,V5	W2,W5

NEMA MARKINGS



LINE VOLTAGE	L1	L2	L3	JOIN		
TERMINAL	U1	V1	W1	W2	U2	V2
LOW	T1, T7	T2, T8	T3, T9	---	T4,T5,T6	---
HIGH	T1	T2	T3	T4, T7	T5, T8	T6, T9

TOLERANCES UNLESS SPECIFIED

DEC.	INCHES
.X	±.1
.XX	±.01
.XXX	±.005
.XXXX	±.0005
ANG	±1/2'



ELECTRIC MOTORS
GEARMOTORS
AND DRIVES

DRAWN MGM 12/3/02

CHK

APPD

SCALE 1=1

REF 00537703

FMF

PREV

TITLE EXTERNAL WIRING DIAGRAM
3 PHASE - DUAL VOLTAGE - W/TERM BLOCK

MAT'L. IEC/NEMA MARKINGS

FINISH THERMAL TRANSFER

NO.	REVISION	BY & DATE	CHK	ANG
01	NEMA LV CONNECTION WAS INCORRECT	RLW 8/4/03		

THIS DRAWING IN DESIGN AND DETAIL IS OUR PROPERTY AND MUST NOT BE USED EXCEPT IN CONNECTION WITH OUR WORK ALL RIGHTS OF DESIGN AND INVENTION ARE RESERVED THIS IS AN ELECTRONICALLY GENERATED DOCUMENT - DO NOT SCALE THIS PRINT

RFP	
DIST	

CAD FILE 00546501

SIZE	DRAWING NO.	REV.
A	005465-01	01

Data Sheet

Date: 1/30/2018

193340.60



Data @ 460 V

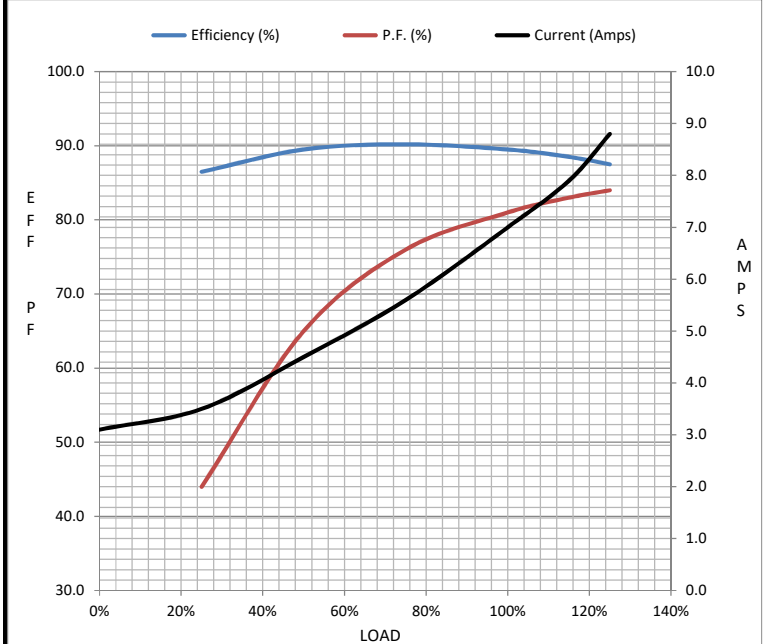
Motor Load Data

Load	0%	25%	50%	75%	100%	115%	125%	LR
Current (Amps)	3.1	3.5	4.5	5.6	7.0	7.9	8.8	51.0
Torque (ft-lb)	0.00	4.0	8.2	12.3	16.5	19.2	20.8	34.5
RPM	1800	1790	1780	1765	1755	1.745	1738	0
Efficiency (%)		86.5	89.5	90.2	89.5	88.5	87.5	
P.F. (%)	5.5	44.0	65.0	76.0	81.0	83.0	84.0	43.0

Motor Speed Data

	LR	Pull-Up	BD	Rated	Idle
Speed (RPM)	0	900	1550	1755	1800
Current (Amps)	51.0	48.0	30.5	7.0	3.1
Torque (ft-lb)	34.5	30.0	51.0	16.5	0.00

Information Block				
HP	5.5			
Sync. RPM	1800			
Frame	112			
Enclosure	TEFC			
Construction	TFC			
Voltage	230/460#200/400 V			
Frequency	60 Hz			
Design	A			
LR Code letter	J			
Service Factor	1.15			
Temp Rise @ FL	55 °C			
Duty	CONT			
Ambient	40 °C			
Elevation	1,000 feet			
Rotor/Shaft wk ²	0.00 Lb-Ft ²			
Ref Wdg	T08704015 NONE			
Sound Pressure @ 1M	65 dBA			
VFD Rating	CONSTANT 10:1			
Outline Dwg	SS622370			
Conn. Diag	005465.01			
Additional Specifications:				
0				
0				
EQUIV CKT (OHMS / PHASE)				
R1	R2	X1	X2	Xm
0.0000	0.0000	0.0000	0.0000	0.0000



Speed - Torque Curve

