

PRODUCT INFORMATION PACKET



Model No: 193324.60

Catalog No: 193324.60

LEESON® PASSPORT 30 HP General Purpose, 3 phase, 3600 RPM, 230/460 V, 180M Frame, TEFC



Regal and Leeson are trademarks of Regal Rexnord Corporation or one of its affiliated companies.

©2023 Regal Rexnord Corporation, All Rights Reserved. MC017097E



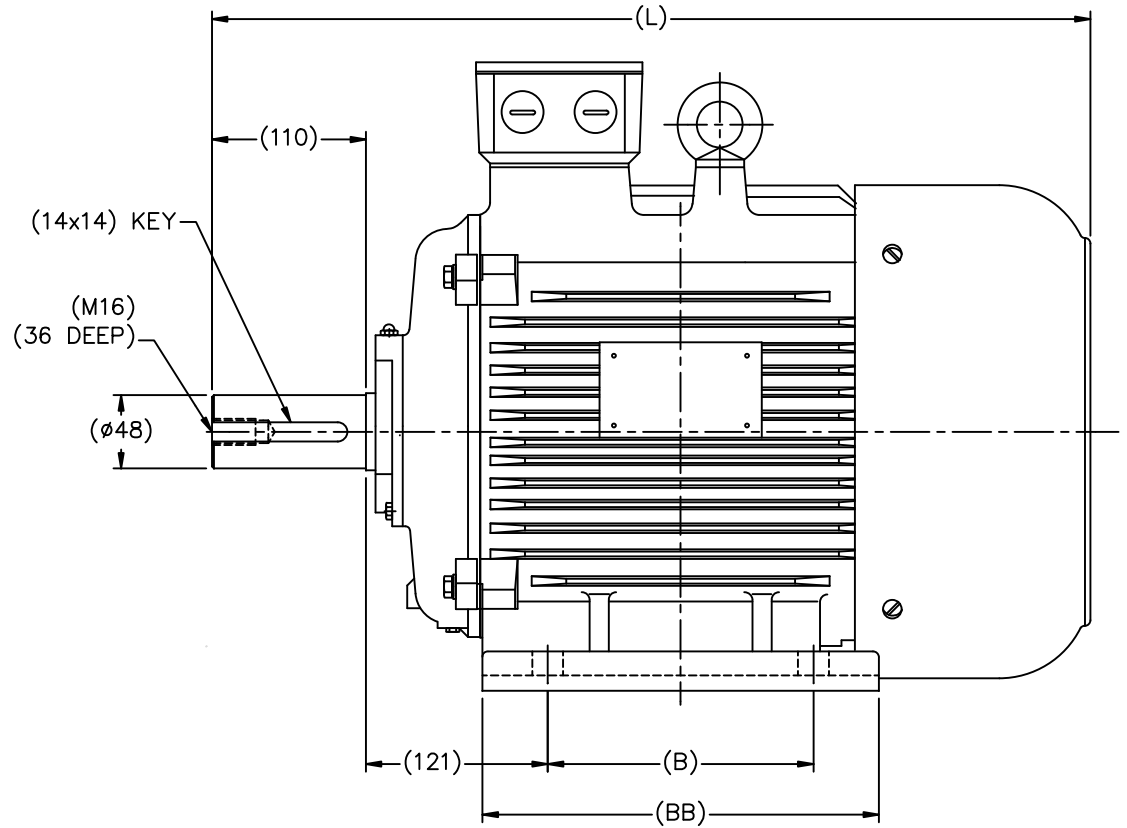
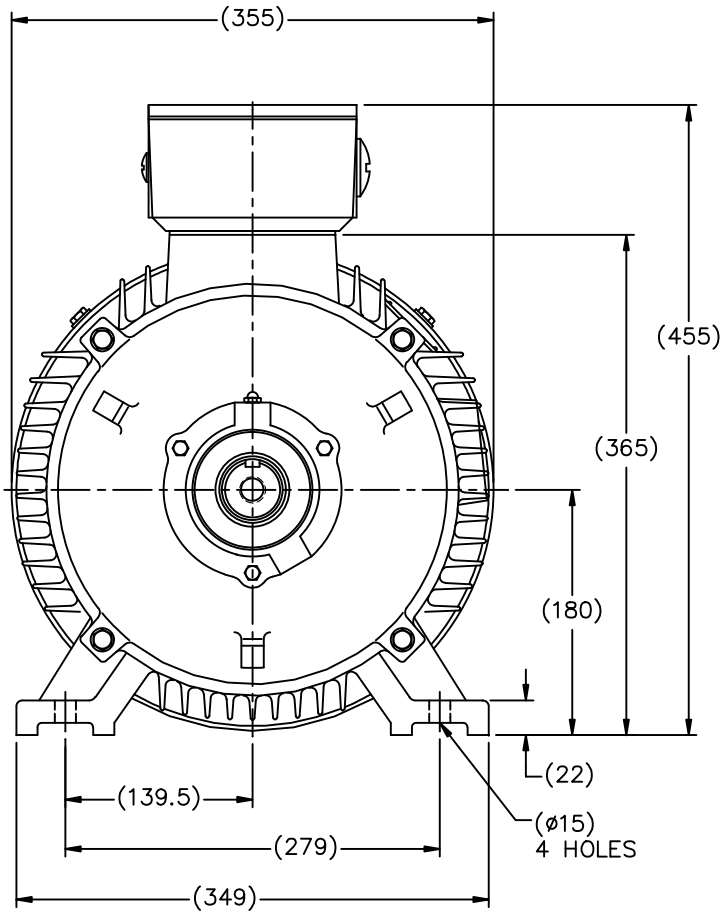


Nameplate Specifications

Phase	3	Output HP	30 & 25 Hp
Output KW	22.4 & 18.7 kW	Voltage	230/460 & 200/400 V
Speed	3550 & 2955 rpm	Service Factor	1.15 & 1.15
Frame	180M	Enclosure	Totally Enclosed Fan Cooled
Thermal Protection	Thermostat	Efficiency	93 & 93 %
Ambient Temperature	40 °C	Frequency	60 & 50 Hz
Current	69/34.5 & 66/33 A	Power Factor	87
Duty	Continuous	Insulation Class	F
Design Code	B	KVA Code	G
Drive End Bearing Size	6211	Opp Drive End Bearing Size	6211
UL	Recognized	CSA	Y
CE	Y	IP Code	55
Number of Speeds	1		

Technical Specifications

Electrical Type	Squirrel Cage Inverter Rated	Starting Method	Wye Start Delta Run Or Inverter
Poles	2	Rotation	Reversible
Resistance Main	.244 Ohms	Mounting	Rigid Base
Motor Orientation	Horizontal	Drive End Bearing	Ball
Opp Drive End Bearing	Ball	Frame Material	Cast Iron
Shaft Type	IEC	Overall Length	26.77 in
Shaft Diameter	1.875 in	Shaft Extension	4.33 in
Assembly/Box Mounting	F3		
Connection Drawing	004172.01	Outline Drawing	B-SS622257



(MAY NOT BE DRAWN TO SCALE)

(DIMENSIONS ARE IN MILLIMETERS)

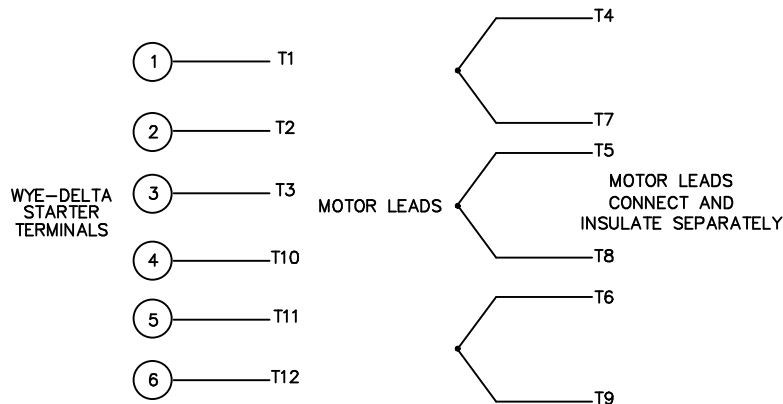
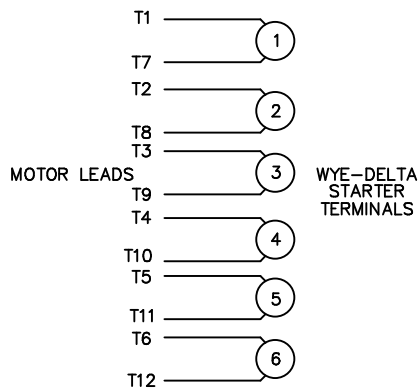
Cat.No	FRAME	B	BB	L
193324.60 193322.60	DF180M	241	311	680
193325.60 193320.60	DF180L	279	349	718

TOLERANCES UNLESS SPECIFIED		REGAL-BELOIT CORPORATION		DRAWN HLB 12-06-2010	
DEC.	METRIC	REGAL-BELOIT CORPORATION		CHK	DJK 12-17-2010
.X	±2.5	TITLE OUTLINE		APPD	SB 12-13-2010
.XX	±.76	DF180M,L-4,6		SCALE	1=18
.XXX	±.127	MAT'L		REF	
.XXXX	±.0127	FINISH		FMF	HEBEI
NO.	REVISION	BY & DATE	CHK	ANG	PREV
			RFP	12-22-2010	CAD FILE SS622257
THIS DRAWING IN DESIGN AND DETAIL IS OUR PROPERTY AND MUST NOT BE USED EXCEPT IN CONNECTION WITH OUR WORK ALL RIGHTS OF DESIGN AND INVENTION ARE RESERVED THIS IS AN ELECTRONICALLY GENERATED DOCUMENT - DO NOT SCALE THIS PRINT			DIST		
				SIZE	DRAWING NO. PAGE OF REV.
				B	SS622257

WYE - DELTA STARTING USEABLE ON 2,4 AND 6 POLE MOTORS.

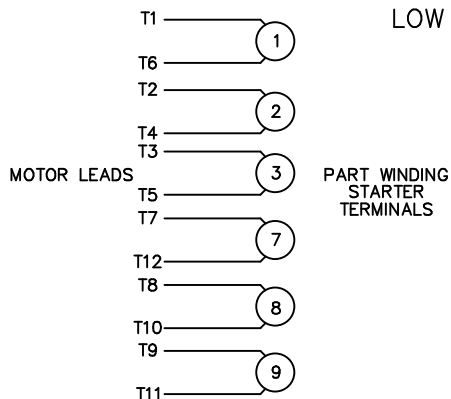
LOW VOLTAGE CONNECTION

HIGH VOLTAGE CONNECTION



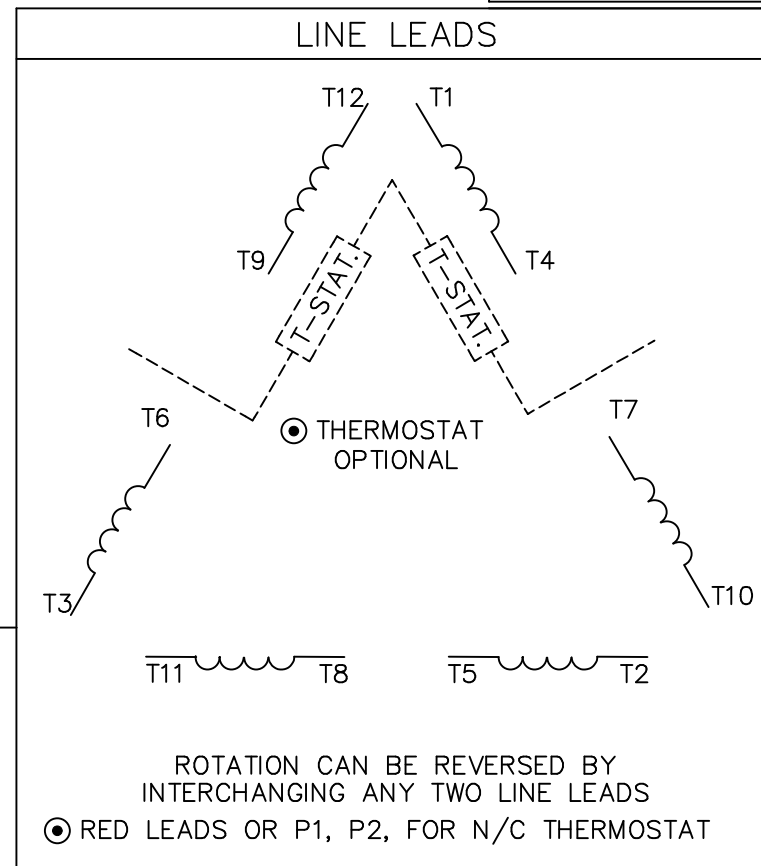
REFER TO THE WYE-DELTA STARTER CONNECTION INSTRUCTIONS FOR PROPER CONNECTION OF POWER LINES TO STARTER.

PART WINDING START USABLE ON 4 & 6 POLE MOTORS
LOW VOLTAGE CONNECTION ONLY



REFER TO THE PART WINDING STARTER INSTRUCTIONS FOR PROPER CONNECTION OF POWER LINES TO STARTER.

REFER TO THE CUTLER - HAMMER OR EQUIV. FOR PROPER SELECTION OF OVERLOAD HEATER COILS.



ACROSS THE LINE START & RUN				
	LINE 1	LINE 2	LINE 3	JOIN & INSULATE SEPARATELY
HIGH VOLT	T1, T12	T2, T10	T3, T11	(T4, T7) (T5, T8) (T6, T9)
LOW VOLT	T1, T6 T7, T12	T2, T4 T8, T10	T3, T5 T9, T11	

				TOLERANCES UNLESS SPECIFIED		ELECTRIC MOTORS GEARMOTORS AND DRIVES	DRAWN WLW 09/08/77		
				DEC.	INCHES		CHK RPB 09/12/77		
				.X	±.1		APPD JCW 09/12/77		
03	REV'D LOW VOLTAGE CONN. LEADS PER ELEC.	BJB 06/07/00	.XX	±.01	TITLE	DELTA - WYE CONNECTION DIAGRAM	SCALE	1=1	
02	ADDED T-STAT. NOTES PER ELECTRICAL	KMM 06/02/98	.XXX	±.005			REF		
01	REDRAWN TO CAD	DBT 06/02/97	.XXXX	±.0005	MAT'L.		FMF		
NO.	REVISION	BY & DATE	CHK	ANG	±1/2"	FINISH	PREV		
THIS DRAWING IN DESIGN AND DETAIL IS OUR PROPERTY AND MUST NOT BE USED EXCEPT IN CONNECTION WITH OUR WORK ALL RIGHTS OF DESIGN AND INVENTION ARE RESERVED THIS IS AN ELECTRONICALLY GENERATED DOCUMENT - DO NOT SCALE THIS PRINT				RFP	CAD FILE	00417201	SIZE	DRAWING NO.	REV.
				DIST			A	004172-01	03



**1051 CHEYENNE AVE.
GRAFTON, WI 53024
PH. 262-377-8810**

CERTIFICATION DATA SHEET

CATALOG #:193324.60

CONN. DIAGRAM: 004172.01

OUTLINE: B-SS622257

MOUNTING: F3

WINDING #: T14502020 3

TYPICAL MOTOR PERFORMANCE DATA

HP	kW	SYNC. RPM	F.L. RPM	FRAME	ENCLOSURE	KVA CODE	DESIGN
30&25	22.4&18.7	3600	3550&2955	180M	TEFC	G	B

PH	Hz	VOLTS	AMPS	START TYPE	DUTY	INSL	S.F.	AMB°C
3	60/50	230/460&200/400	69/34.5&66/33	Y START D RUN OR INV	CONTINUOUS	F5	1.15/1.15	40

FULL LOAD EFF:	93&93	3/4 LOAD EFF:	93.6	1/2 LOAD EFF:	93	GTD. EFF	ELEC. TYPE
FULL LOAD PF:	87&87	3/4 LOAD PF:	85.5	1/2 LOAD PF:	79.5	91.7	SQ CAGE INV RATED

F.L. TORQUE	LOCKED ROTOR AMPS	L,R. TORQUE	B,D. TORQUE	F.L. RISE°C
44.5 LB-FT	422 / 211	89.5 LB-FT 201 %	119 LB-FT 267 %	60

SOUND PRESSURE @ 3 FT.	SOUND POWER	ROTOR WK^2	MAX. WK^2	SAFE STALL TIME	STARTS / HOUR	APPROX. MOTOR WGT
64 dBA	74 dBA	- LB-FT^2	- LB-FT^2	20 SEC.	2	385 LBS.

***** SUPPLEMENTAL INFORMATION *****

DE BRACKET TYPE	ODE BRACKET TYPE	MOUNT TYPE	ORIENTATION	SEVERE DUTY	HAZARDOUS LOCATION	DRIP COVER	SCREENS	PAINT
STANDARD	STANDARD	RIGID	HORIZONTAL	FALSE	NONE	FALSE	NONE	BLUE - LEESON (ENAMEL)

BEARINGS		GREASE	SHAFT TYPE	SPECIAL DE	SPECIAL ODE	SHAFT MATERIAL	FRAME MATERIAL
DE	ODE						
BALL	BALL	POLYREX EM	STANDARD IEC	NONE	NONE	NONE	CAST IRON
6211	6211						

THERMO-PROTECTORS				THERMISTORS	CONTROL	SPACE HEATERS
THERMOSTATS	PROTECTORS	WDG RTDs	BRG RTDs			
TSTATS (N/C)	NOT	NONE	NONE	NONE	FALSE	NONE VOLTS

*
N
O
T
E
S

INVERTER TORQUE: CONSTANT 10:1
INV. HP SPEED RANGE: NONE
ENCODER: NONE
NONE NONE
NONE NONE PPR
BRAKE: NONE NONE
NONE P/N NONE
NONE NONE
NONE FT-LB NONE V NONE Hz

Data Sheet

Date: 1/29/2018

193324.60



Data @ 460 V

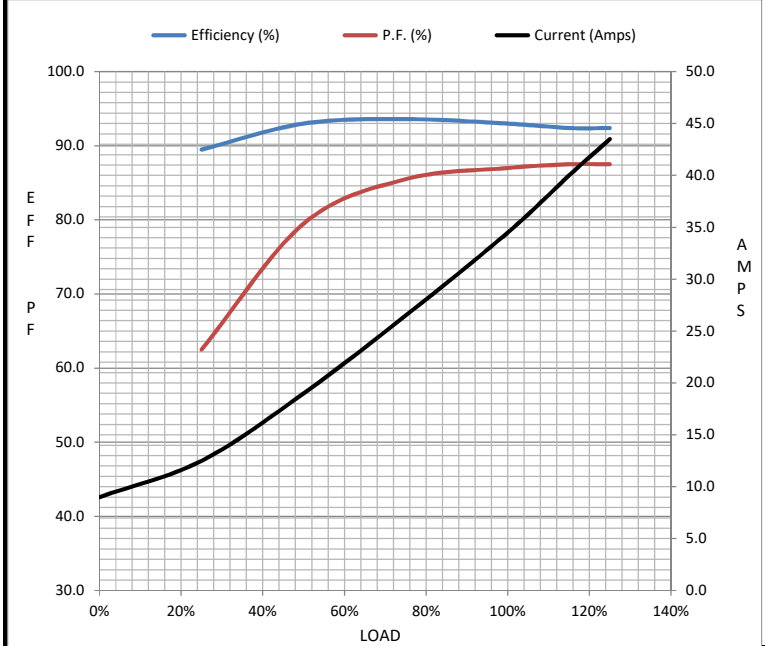
Motor Load Data

Load	0%	25%	50%	75%	100%	115%	125%	LR
Current (Amps)	9.0	12.5	19.0	26.5	34.5	40.0	43.5	211
Torque (ft-lb)	0.00	11.0	22.0	33.2	44.5	51.2	55.5	89.5
RPM	3600	3585	3575	3565	3550	3,540	3530	0
Efficiency (%)		89.5	93.0	93.6	93.0	92.4	92.4	
P.F. (%)	7.5	62.5	79.5	85.5	87.0	87.5	87.5	39.0

Motor Speed Data

	LR	Pull-Up	BD	Rated	Idle
Speed (RPM)	0	1000	3355	3550	3600
Current (Amps)	211	200	121	34.5	9.0
Torque (ft-lb)	89.5	72.0	119	44.5	0.00

Information Block				
HP	30.0			
Sync. RPM	3600			
Frame	180			
Enclosure	TEFC			
Construction	TFC			
Voltage	230/460#200/400 V			
Frequency	60 Hz			
Design	B			
LR Code letter	G			
Service Factor	1.15			
Temp Rise @ FL	60 °C			
Duty	CONT			
Ambient	40 °C			
Elevation	1,000 feet			
Rotor/Shaft wk ²	0.00 Lb-Ft ²			
Ref Wdg	T14502020 NONE			
Sound Pressure @ 1M	64 dBA			
VFD Rating	CONSTANT 10:1			
Outline Dwg	B-SS622257			
Conn. Diag	004172.01			
Additional Specifications:				
0				
0				
EQUIV CKT (OHMS / PHASE)				
R1	R2	X1	X2	Xm
0.0000	0.0000	0.0000	0.0000	0.0000



Speed - Torque Curve

