

# PRODUCT INFORMATION PACKET



Model No: 192213.30

Catalog No: 192213.30

Obsolete Replaced by 192213.00..2HP-1.5kW..3600RPM.D90SC.TEFC.230/460V.3PH.60HZ.CONT.40C..B3 / B14.

.....



Regal and Leeson are trademarks of Regal Rexnord Corporation or one of its affiliated companies.

©2023 Regal Rexnord Corporation, All Rights Reserved. MC017097E





### Nameplate Specifications

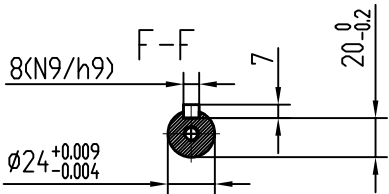
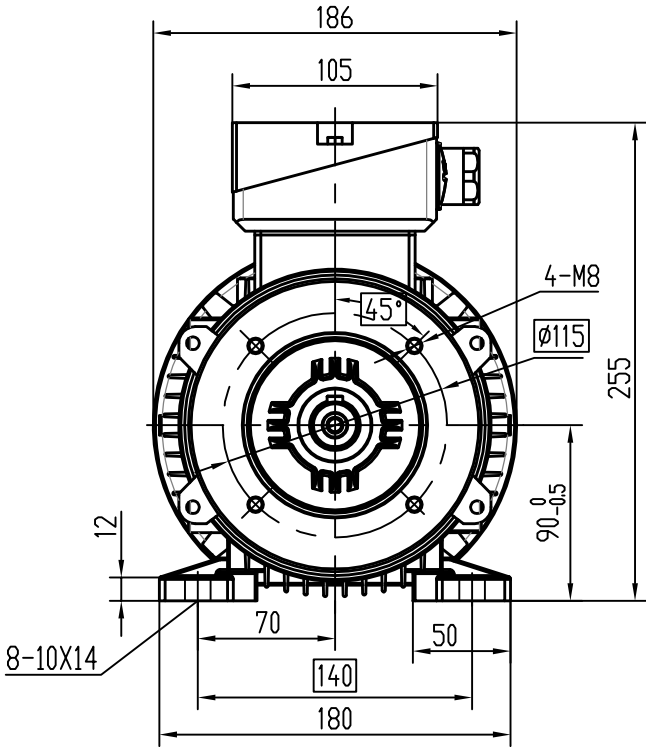
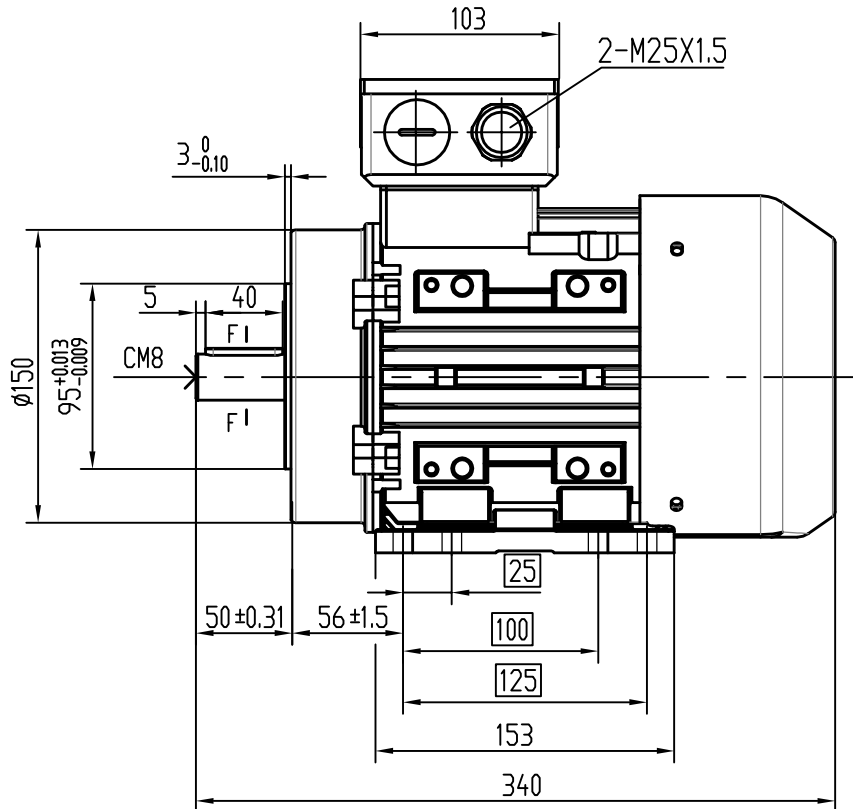
Phase	3	Output HP	2 & 2 Hp
Output KW	1.5 & 1.5 kW	Voltage	230/460 & 200/400 V
Speed	3455 & 2850 rpm	Service Factor	1.15 & 1.0
Frame	D90SC	Enclosure	Totally Enclosed Fan Cooled
Thermal Protection	No Protection	Efficiency	85.5 & 84 %
Ambient Temperature	40 °C	Frequency	60 & 50 Hz
Current	5.0/2.5 & 5.0/2.5 A	Power Factor	89
Duty	Continuous	Insulation Class	F
Design Code	NO DESIGN CODE	KVA Code	K
Drive End Bearing Size	6205	Opp Drive End Bearing Size	6205
UL	Recognized	CSA	Y
CE	Y	IP Code	55
Number of Speeds	1		

### Technical Specifications


Electrical Type	Squirrel Cage Inverter Rated	Starting Method	Line Or Inverter
Poles	2	Rotation	Reversible
Resistance Main	26 Ohms	Mounting	B3
Motor Orientation	Horizontal Or Up Or Down	Drive End Bearing	Ball
Opp Drive End Bearing	Ball	Frame Material	Aluminum
Shaft Type	IEC	Assembly/Box Mounting	F3
Inverter Load	CONSTANT 10:1		
Outline Drawing	OL19221330	Connection Drawing	00546505

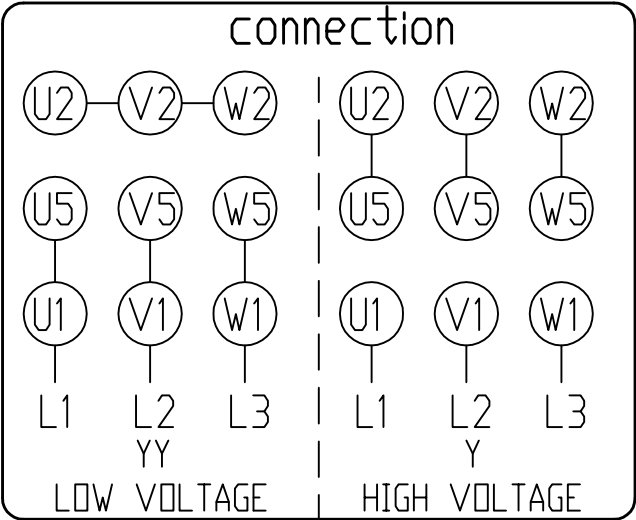
This is an uncontrolled document once printed or downloaded and is subject to change without notice. Date Created:06/22/2023

CAT. NO.
192213.30
192214.30
192204.30
192207.30
192212.30



Bases are removable and able to mount in all locations - 6:00, 9:00, 3:00.

		TOLERANCES UNLESS SPECIFIED		 REGAL-BELOIT CORPORATION	DRAWN			
		DEC.	INCHES		CHK			
		X	±.1		APPD			
		XX	±.03		SCALE			
		XXX	±.005		REF			
		XXXX	±.0005	MAT'L	FWF			
NO.	REVISION	BY & DATE	CHK	ANG	±1/2	FINISH		PREV
THIS DRAWING IN DESIGN AND DETAIL IS OUR PROPERTY AND MUST NOT BE USED EXCEPT IN CONNECTION WITH OUR WORK ALL RIGHTS OF DESIGN AND INVENTION ARE RESERVED THIS IS AN ELECTRONICALLY GENERATED DOCUMENT - DO NOT SCALE THIS PRINT				RFP	CAD FILE	SIZE	DRAWING NO.	REV.
				DIST		B		



		TOLERANCES UNLESS SPECIFIED		REGAL-BELOIT CORPORATION	DRAWN			
		DEC.	INCHES		CHK			
		X	±.1		APPD			
		XX	±.03		SCALE			
		XXX	±.005		REF			
		XXXX	±.0005	MAT'L	FIN			
NO.	REVISION	BY & DATE	CHK	ANG	±1/2	FINISH	PREV	
THIS DRAWING IN DESIGN AND DETAIL IS OUR PROPERTY AND MUST NOT BE USED EXCEPT IN CONNECTION WITH OUR WORK ALL RIGHTS OF DESIGN AND INVENTION ARE RESERVED THIS IS AN ELECTRONICALLY GENERATED DOCUMENT - DO NOT SCALE THIS PRINT			RFP	CAD FILE		SIZE	DRAWING NO.	REV.
			DIST			B		