

# PRODUCT INFORMATION PACKET



Model No: 164042.60  
Catalog No: 164042.60  
FAN IEC 160FR 2P & 4P MTRS & NEMA 250FR 2P & 4P MTRS - IEC160L-4

Regal and Leeson are trademarks of Regal Rexnord Corporation or one of its affiliated companies.  
©2023 Regal Rexnord Corporation, All Rights Reserved. MC017097E





## Nameplate Specifications

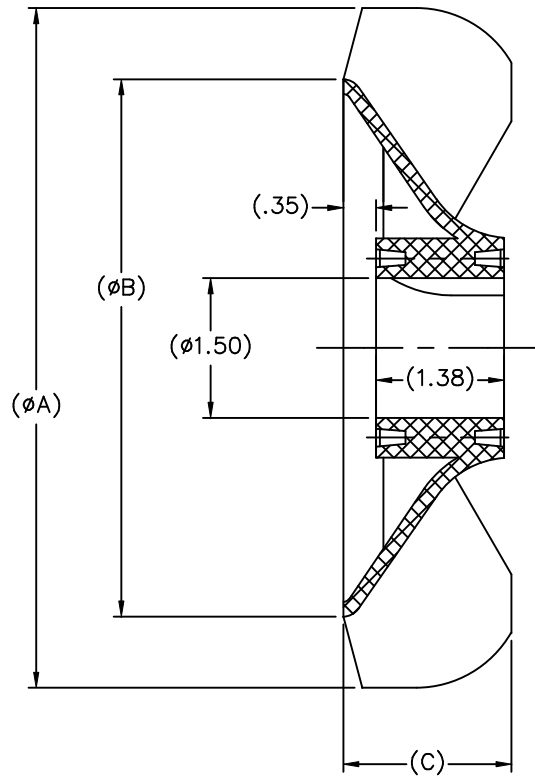
## Technical Specifications

Outline Drawing

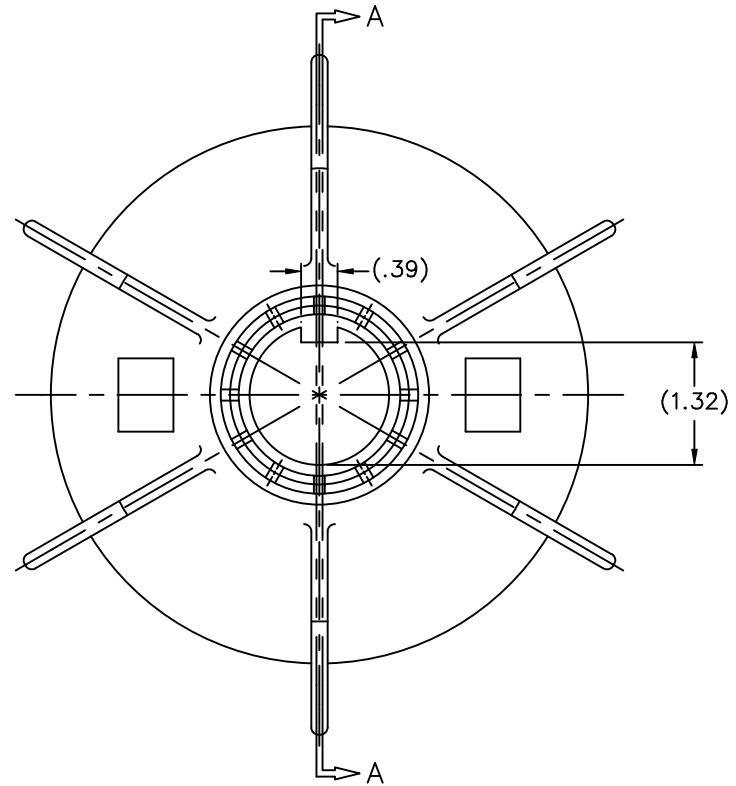
622064le

---

This is an uncontrolled document once printed or downloaded and is subject to change without notice. Date Created:11/29/2023



SECTION A-A



DRAWING NOT TO SCALE

DF160-2,4R	255323510	7.32	5.79	1.81
DF160-6R	255323520	8.66	7.09	1.97
FRAME	REFERENCE	A	B	C

		TOLERANCES UNLESS SPECIFIED		<b>LEESON</b> ELECTRIC MOTORS GEARMOTORS AND DRIVES		DRAWN MSG 10-20-2005	
		DEC.	INCHES			CHK ML 11-07-2005	
		.X	±.1	TITLE FAN		APPD SB 11-08-2005	
		.XX	±.02	160 FR. (IEC) - 250 FR. (NEMA)		SCALE 1=2	
		.XXX	±.005	MAT'L		REF 255323510-20	
		.XXXX	±.0005	FINISH		FMF	
NO.	REVISION	BY & DATE	CHK	ANG	±7°30"	PREV	DF160-2,4,6
THIS DRAWING IN DESIGN AND DETAIL IS OUR PROPERTY AND MUST NOT BE USED EXCEPT IN CONNECTION WITH OUR WORK ALL RIGHTS OF DESIGN AND INVENTION ARE RESERVED THIS IS AN ELECTRONICALLY GENERATED DOCUMENT - DO NOT SCALE THIS PRINT				RFP	11-14-2005	CAD FILE	622064le
				DIST	LB-LE-PR	SIZE	DRAWING NO. PAGE OF REV.
						B	622064LE